

DATA SHEET

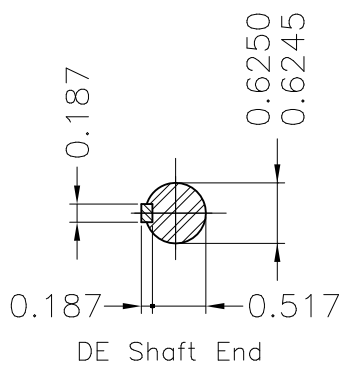
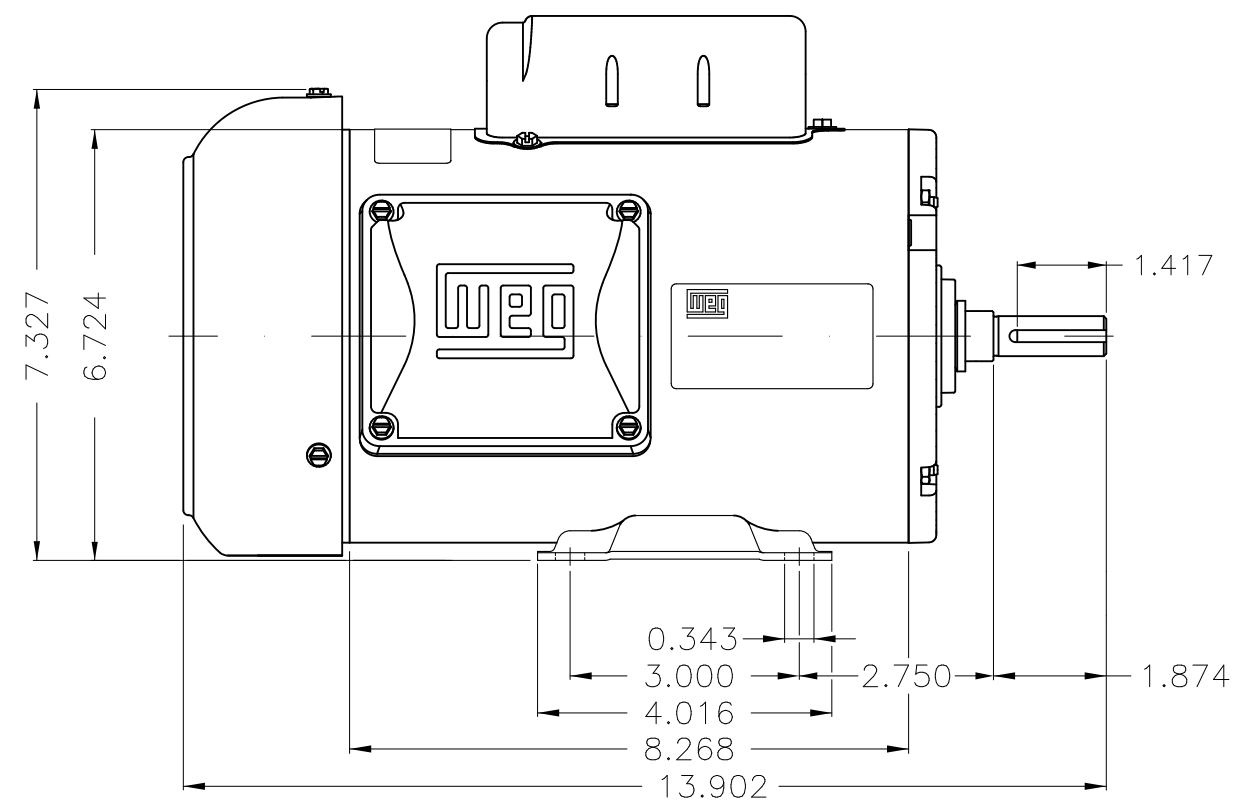
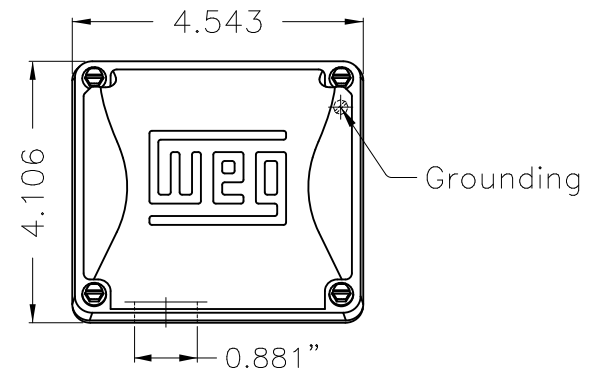
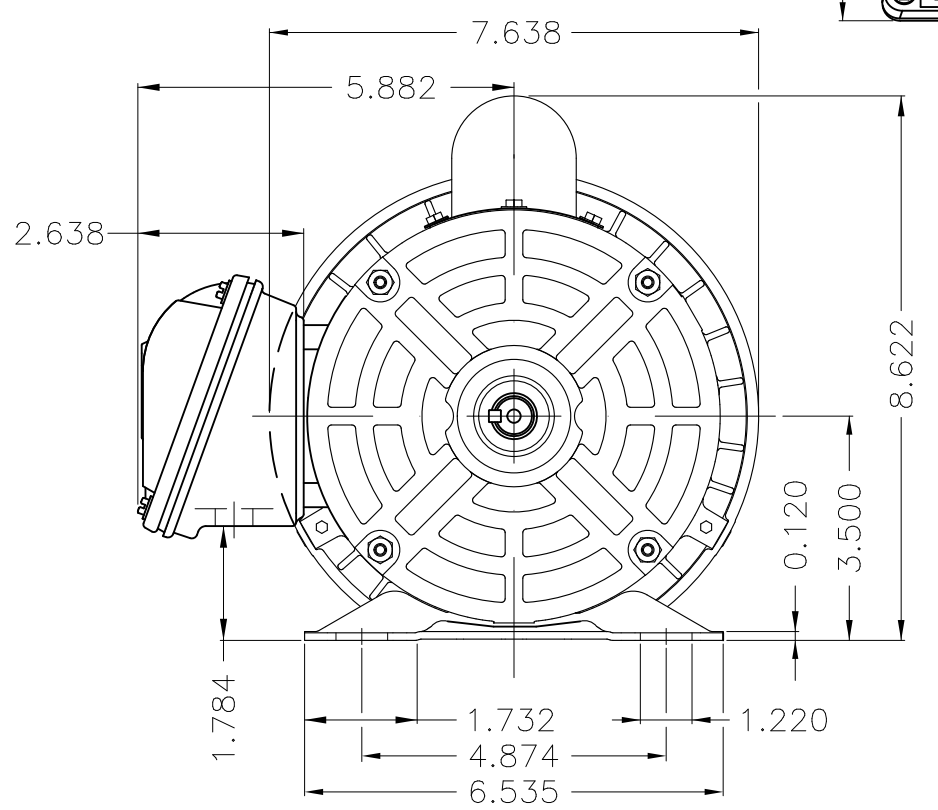


Single Phase Induction Motor - Squirrel Cage

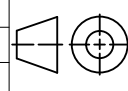
Customer :																			
Product line	: Rolled Steel Single-Phase																		
Product code :	14797784																		
Catalog # :	00118ES1B56-S																		
Frame : 56 Output : 1 HP (0.75 kW) Poles : 4 Frequency : 60 Hz Rated voltage : 115/208-230 V Rated current : 13.6/7.52-6.80 A L. R. Amperes : 91.1/50.4-45.6 A LRC : 6.7x(Code M) No load current : 9.60/4.14-4.80 A Rated speed : 1745 rpm Slip : 3.06 % Rated torque : 0.416 kgfm Locked rotor torque : 280 % Breakdown torque : 270 % Insulation class : F Service factor : 1.15 Moment of inertia (J) : 0.0044 kgm ² Design : L	Locked rotor time : 14s (cold) 8s (hot) Temperature rise : 80 K Duty cycle : Cont.(S1) Ambient temperature : -20°C to +40°C Altitude : 1000 m.a.s.l. Protection degree : IP55 Cooling method : IC411 - TEFC Mounting : F-1 Rotation ¹ : Both (CW and CCW) Noise level ² : 54.0 dB(A) Starting method : Direct On Line Approx. weight ³ : 16.5 kg																		
Output	25% 50% 75% 100%																		
Efficiency (%)	59.4 62.0 68.0 71.0																		
Power Factor	0.27 0.48 0.60 0.68																		
Foundation loads																			
Max. traction	: 28 kgf																		
Max. compression	: 44 kgf																		
	<table border="0"> <tr> <td></td> <td style="text-align: center;"><u>Drive end</u></td> <td style="text-align: center;"><u>Non drive end</u></td> </tr> <tr> <td>Bearing type</td> <td>: 6204 ZZ</td> <td>6202 ZZ</td> </tr> <tr> <td>Sealing</td> <td>: V'Ring</td> <td>V'Ring</td> </tr> <tr> <td>Lubrication interval</td> <td>: -</td> <td>-</td> </tr> <tr> <td>Lubricant amount</td> <td>: -</td> <td>-</td> </tr> <tr> <td>Lubricant type</td> <td colspan="2">: Mobil Polyrex EM</td> </tr> </table>		<u>Drive end</u>	<u>Non drive end</u>	Bearing type	: 6204 ZZ	6202 ZZ	Sealing	: V'Ring	V'Ring	Lubrication interval	: -	-	Lubricant amount	: -	-	Lubricant type	: Mobil Polyrex EM	
	<u>Drive end</u>	<u>Non drive end</u>																	
Bearing type	: 6204 ZZ	6202 ZZ																	
Sealing	: V'Ring	V'Ring																	
Lubrication interval	: -	-																	
Lubricant amount	: -	-																	
Lubricant type	: Mobil Polyrex EM																		
Notes																			
This revision replaces and cancel the previous one, which must be eliminated. (1) Looking the motor from the shaft end. (2) Measured at 1m and with tolerance of +3dB(A). (3) Approximate weight subject to changes after manufacturing process. (4) At 100% of full load.																			
These are average values based on tests with sinusoidal power supply, subject to the tolerances stipulated in NEMA MG-1.																			
Rev.	Changes Summary	Performed	Checked	Date															
Performed by																			
Checked by			Page	Revision															
Date	24/04/2020		1 / 1																

Dimensões em polegada
Dimensions in inches

THIS IS AN UPDATED REVISION, THE
PREVIOUS ONE MUST BE DISREGARDED.



Fan cover - steel plate
Mounting F-1/B3R(D)

ECM	LOC	SUMMARY OF MODIFICATIONS	EXECUTED	CHECKED	RELEASED	DATE	VER
EXECUTED	USERADMIN	 SINGLE PHASE MOTOR CLOSED ROLLED STEEL FRAME 56 IP55 TEFC WEG code: 14797784					
CHECKED							
RELEASED							
REL DT	24.04.2020	WMO Jaragua do Sul	Product Engineering	SHEET	1 / 1		

1 HP 04 Poles 60Hz

