



INSTRUCTIONS

NRV, NRVH

020R9500

HFC, HCFC, CFC

NRV 6 → 19

NRV 6s → 19s

NRVH 6s → 19s

NRV 22s → 35s

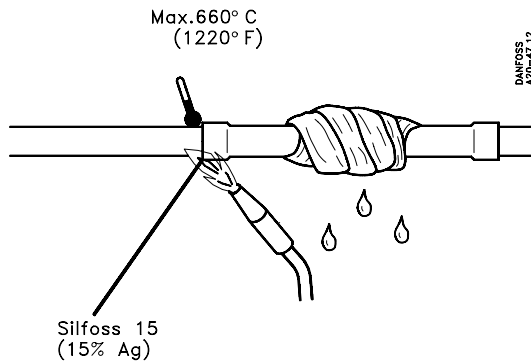
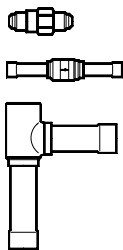
NRVH 22s → 35s

$t_{\min} = -50^{\circ}\text{C} / -58^{\circ}\text{F}$

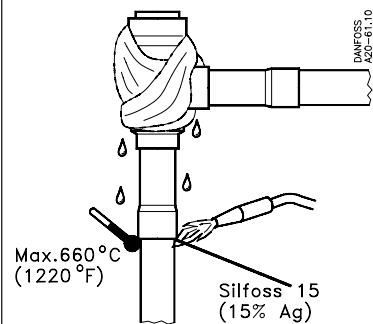
$t_{\max} = 140^{\circ}\text{C} / 285^{\circ}\text{F}$

PS (MWP):

46 bar / 667 psig

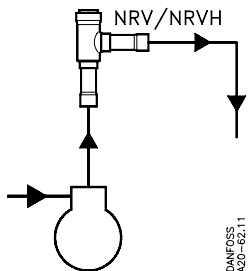


DANFOSS
AZ0-47,12

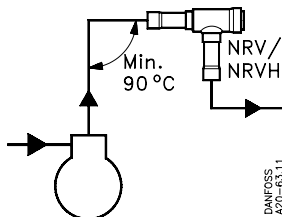


DANFOSS
AZ0-6,10

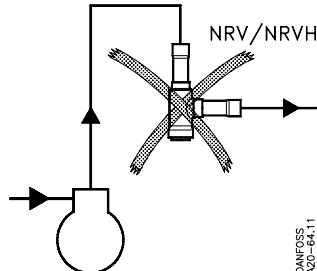
020R9500



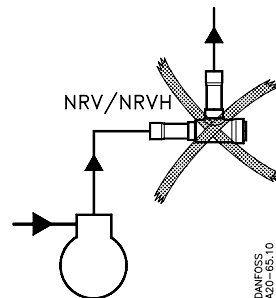
DANFOSS
AZ0-62,11



DANFOSS
AZ0-63,11



DANFOSS
AZ0-64,11



DANFOSS
AZ0-65,10