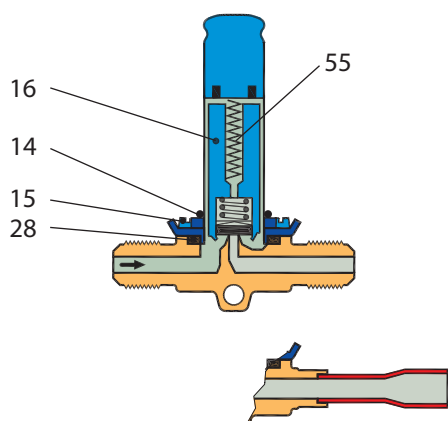


Spare parts and accessories

# Solenoid Valves

## Type EVR



EVR 2 and 3 (NC)

Danfoss  
32F917.10

Description	Qty	Code no. Normally Closed (NC)
<b>EVR 2 and 3. Service kit (a.c.)</b>		
Pos. 14 O-ring	1	<b>032F0181</b>
15 Screw	4	
16 Armature assembly	1	
28 Rubber gasket	1	
55 Compress spring	1	
<b>EVR 2 and 3. Seal kit</b>		
14 O-ring, Armature tube	1	<b>032F8196</b>
28 Rubber gasket	1	

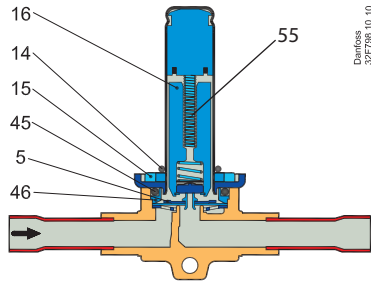


Fig. 1 EVR 6 (NC)

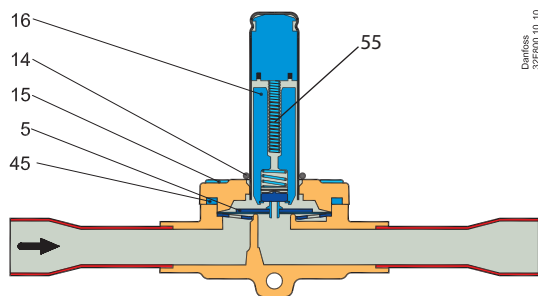


Fig. 2 EVR 10 (NC)

Description	Qty	Code no. Normally Closed (NC)
<b>EVR 4, 6 and 8. Service kit (a.c.)</b>		<b>032F8166</b>
Fig. 1		
Pos. 5 Diaphragm assembly	1	
14 O-ring for armature tube	1	
15 Screw T20	4	
15 Screw T15	4	
16 Armature assembly	1	
45 Rubber gasket	1	
45 O-ring for steel cover	1	
46 Support ring	1	
55 Compress spring	1	
<b>EVR 4, 6 and 8. Seal kit</b>		<b>032F8165</b>
Fig. 1		
Pos. 14 O-ring for armature tube	1	
45 Rubber gasket	1	
45 O-ring for steel cover	1	
46 Support ring	1	
<b>EVR 10. Service kit (a.c.)</b>		<b>032F0185</b>
Fig. 2		
Pos. 5 Diaphragm assembly	1	
14 O-ring	1	
15 Screw	4	
16 Armature assembly	1	
45 Rubber gasket	1	
55 Compress spring	1	
<b>EVR 10. Seal kit</b>		<b>032F8196</b>
14 O-ring, Armature tube	1	
45 Rubber gasket	1	

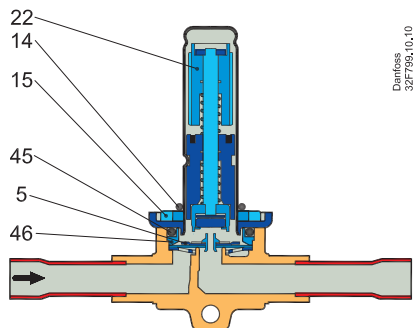


Fig. 1 EVR 6 and 8 (NO)

Danfoss  
32FF99,10,10

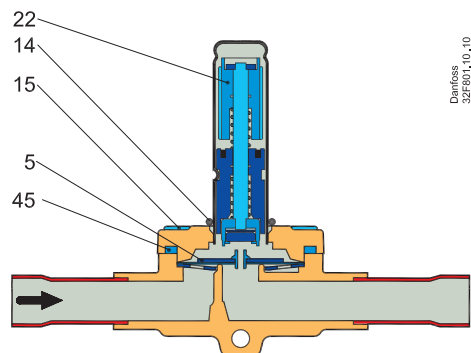
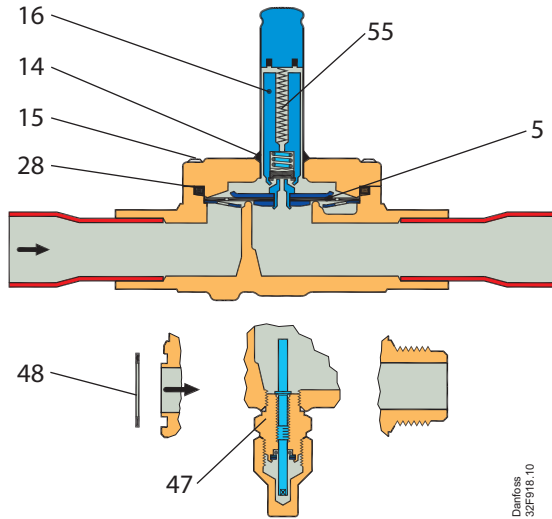


Fig. 2 EVR 10 (NO)

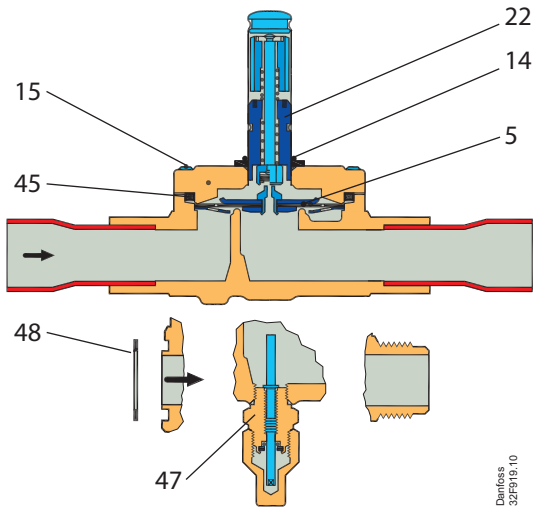
Danfoss  
32F801,10,10

Description	Qty	Code no. Normally Open (NO)
<b>EVR 6 and 8. Service kit - (steel cover design)</b>		<b>032F8167</b>
Fig. 1		
Pos. 5 Diaphragm assembly	1	
14 O-ring	1	
15 Screw	4	
22 Armature assembly (NO)	1	
45 O-ring	1	
46 Support ring	1	
<b>EVR 6 and 8. Seal kit</b>		<b>032F8165</b>
Fig. 1		
Pos. 14 O-ring for armature tube	1	
45 Rubber gasket	1	
45 O-ring for steel cover	1	
46 Support ring	1	
<b>EVR 10. Service kit (a.c.)</b>		<b>032F0186</b>
Fig. 2		
Pos. 5 Diaphragm assembly	1	
14 O-ring	1	
15 Screw	4	
22 Armature assembly (NO)	1	
45 Rubber gasket	1	
<b>EVR 10. Seal kit</b>		<b>032F8196</b>
Fig. 2		
14 O-ring, Armature tube	1	
45 Rubber gasket	1	



EVR 15 and 20 (NC)

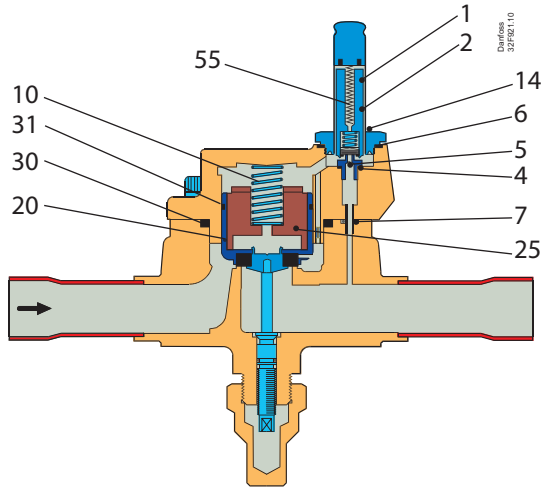
Description	Qty	Code no. Normally Closed (NC)
<b>EVR 15 and 18. Service kit</b>		
Pos. 5 Diaphragm assembly	1	<b>032F0187</b>
14 O-ring	1	
15 Screw	4	
16 Armature assembly	1	
45 Rubber gasket	1	
48 Refrigeration gasket	2	
55 Compress spring	1	
<b>EVR 20 and 22. Service kit</b>		
Pos. 5 Diaphragm assembly	1	<b>032F0189</b>
14 O-ring	1	
15 Screw	4	
16 Armature assembly	1	
28 Rubber gasket	1	
48 Refrigeration gasket	1	
55 Compress spring	1	
<b>EVR 20 and 22. Manual spindle</b>		
Pos. 47 Spindle assembly	1	<b>032F0193</b>
<b>EVR 15 and 20. Seal kit</b>		
14 O-ring, Armature tube	1	<b>032F8196</b>
28 Rubber gasket (EVR 15)	1	
28 Rubber gasket (EVR 20)	1	
48 Packing (refrigeration gasket) (EVR 20)	2	
48 Refrigeration gasket (EVR 15)	2	



EVR 15 and 20 (NO)

Danfoss  
32F819.10

Description	Qty	Code no. Normally Open (NO)
<b>EVR 15 and 18. Service kit</b>		
Pos. 5 Diaphragm assembly	1	<b>032F0188</b>
14 O-ring	1	
15 Screw	4	
22 Armature unit assembly (NO)	1	
45 Rubber gasket	1	
48 Refrigeration gaskets	1	
<b>EVR 20 and 22. Service kit</b>		
Pos. 5 Diaphragm assembly	1	<b>032F0182</b>
14 O-ring	1	
15 Screw	4	
22 Armature unit assembly (NO)	1	
45 Rubber gasket	1	
48 Refrigeration gasket	2	
<b>EVR 20. Manual spindle</b>		
Pos. 47 Spindle assembly	1	<b>032F0193</b>
<b>EVR 15 and 20. Seal kit</b>		
14 O-ring, Armature tube	1	<b>032F8196</b>
45 Rubber gasket (EVR 15)	1	
45 Rubber gasket (EVR 20)	1	
48 Packing (refrigeration gasket) (EVR 20)	2	
48 Refrigeration gasket (EVR 15)	2	

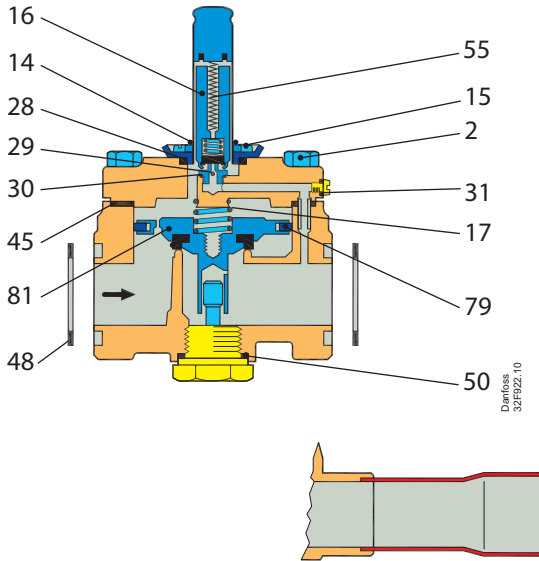


EVR 25 (NC)

Description	Qty	Code no. Normally Closed (NC)
<b>EVR 25. Piston service kit</b>		<b>032F3236</b>
Pos. 7 O-ring	1	
10 Compression spring	1	
14 O-ring	1	
20 Piston assembly	1	
25 Insert block	1	
30 Rubber gasket	1	
31 Piston ring	1	
<b>EVR 25. Pilot service kit</b>		<b>042H0165</b>
Pos. 1 Armature assembly	1	
2 Armature tube	1	
4 Al. gasket	1	
5 Nozzle	1	
6 Al. gasket	1	
14 O-ring	1	
55 Compression spring	1	
<b>EVR 25. Seal kit</b>		<b>032F2327</b>
Pos. 5 Al. gasket	1	
9 O-ring	1	
14 O-ring	1	
17 Al. gasket	1	

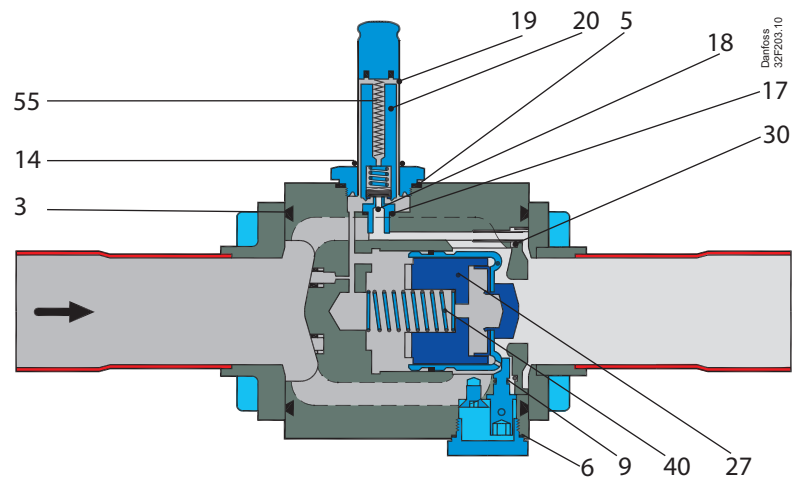
**Note!**

All code nos. are valid for EVR 25 with stainless steel piston as well as for EVR 25 with cast iron piston.



EVR 25 (NC), previous design

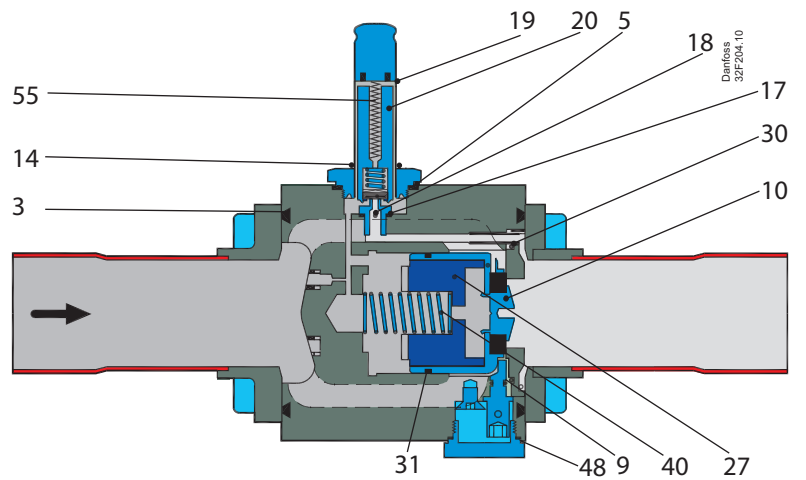
Description	Qty	Code no. Normally Closed (NC)
<b>EVR 25, first version. Service kit</b>		<b>032F0190</b>
Pos. 2 Screw	4	
14 O-ring	1	
15 Screw	4	
16 Armature assembly, teflon	1	
17 Compression spring	1	
28 Rubber gasket	1	
29 Orifice	1	
30 Al. gasket	1	
50 Gaskets	2	
55 Compress spring	2	
79 Piston ring	1	
81 Piston assembly	1	
<b>EVR 25, first version. Seal kit</b>		<b>032F0176</b>
Pos. 14 O-ring	1	
28 Rubber gasket	1	
30 Al. gasket	1	
31 Refrigeration gasket	1	
45 Refrigeration gasket	1	
48 Refrigeration gasket	2	
50 Refrigeration gasket	1	



*EVR 32 (NC) with stainless steel piston assembly, previous design*

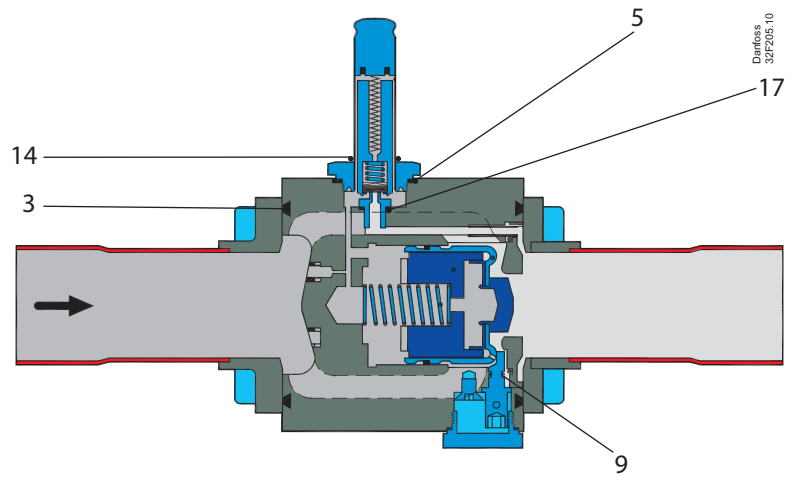
Description	Qty	Code no. Normally Closed (NC)
<b>EVR 32, previous design. Pilot service kit</b>		
Pos. 5 Al. gasket	1	<b>042H0165</b>
14 O-ring	1	
17 Al. gasket	1	
18 Orifice	1	
19 Armature assembly	1	
20 Armature tube	1	
55 Compression spring	1	
<b>EVR 32, previous design. Seal kit</b>		
Pos. 3 O-ring	2	<b>032F2327</b>
6 Al. gasket	1	
9 O-ring	1	
14 O-ring	1	
17 Al. gasket	1	





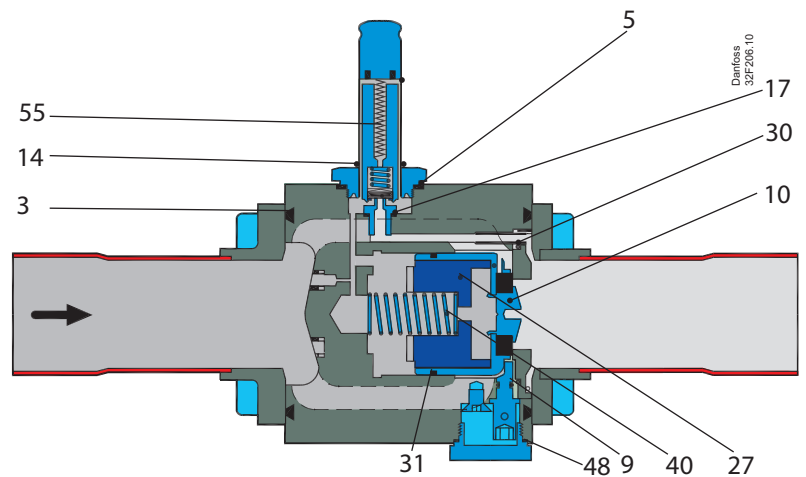
EVR 32 (NC) with cast iron piston and piston ring

Description	Qty	Code no. Normally Closed (NC)
<b>EVR 32. Piston service kit</b>		<b>042H0172</b>
Pos. 3 O-ring	2	
5 Al. gasket	1	
9 O-ring	1	
10 Piston assembly	1	
14 O-ring	1	
27 Insert block	1	
30 O-ring	1	
31 Piston ring	1	
40 Compression spring	1	
48 Refrigeration gasket	1	
<b>EVR 32. Pilot service kit</b>		<b>042H0165</b>
Pos. 5 Al. gasket	1	
14 O-ring	1	
17 Al. gasket	1	
18 Orifice	1	
19 Armature tube	1	
20 Armature assembly	1	
55 Compression spring	1	
<b>EVR 32. Seal kit</b>		<b>032F2327</b>
Pos. 3 O-ring	2	
5 Al. gasket	1	
9 O-ring	1	
14 O-ring	1	
17 Al. gasket	1	



*EVR 40 (NC) with stainless steel piston, previous design*

Description	Qty	Code no. Normally Closed (NC)
<b>EVR 40. Seal kit</b>		<b>032F2327</b>
Pos. 3 O-ring	2	
5 Al. gasket	1	
9 O-ring	1	
14 O-ring	1	
17 Al. gasket	1	



EVR 40 (NC) with cast iron piston and piston ring

Description	Qty	Code no. Normally Closed (NC)
<b>EVR 40. Piston service kit</b>		<b>042H0173</b>
Pos. 3 O-ring	2	
5 Al. gasket	1	
9 O-ring	1	
10 Piston assembly	1	
14 O-ring	1	
27 Insert block	1	
30 O-ring	1	
31 Piston ring	1	
40 Compression spring	1	
48 Refrigeration gasket	1	
<b>EVR 40. Pilot service kit</b>		<b>042H0165</b>
Pos. 5 Al. gasket	1	
14 O-ring	1	
17 Al. gasket	1	
18 Orifice	1	
19 Armature tube	1	
20 Armature assembly	1	
55 Compression spring	1	
<b>EVR 40. Seal kit</b>		<b>032F2327</b>
Pos. 3 O-ring	2	
5 Al. gasket	1	
9 O-ring	1	
14 O-ring	1	
17 Al. gasket	1	

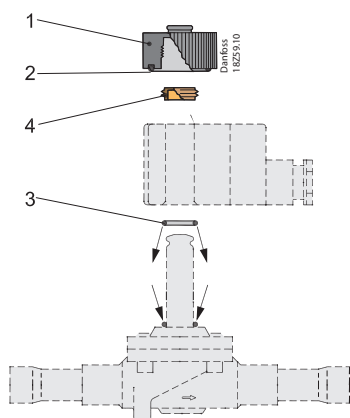


Fig. 1 EVR (railways)

Description	Qty	Code no.
<b>EVR (railways). Coil seal kit</b>		<b>018Z0095</b>
Fig. 1		
Pos. 1 Nut	1	
2 O-ring	1	
3 O-ring	1	
4 Snap fastener	1	
DB Screw M5x20	1	
DB Washer	1	

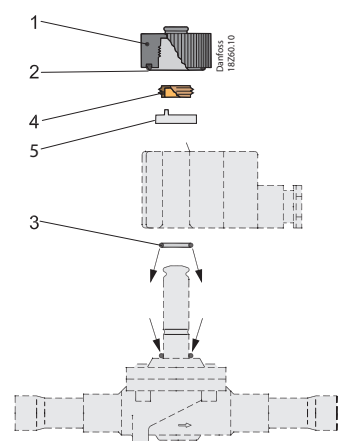


Fig. 2 EVR 6 - 20 (NO) and EVSI

<b>EVR 6 - 20 (NC). Coil seal kit</b>		<b>018Z0090</b>
Fig. 2		
Pos. 1 Nut	1	
2 O-ring	1	
3 O-ring	1	
4 Snap fastener	2	
<b>EVR 6 - 20 (NO). Coil seal kit</b>		<b>018Z0091</b>
Fig. 2		
Pos. 1 Nut	1	
2 O-ring	1	
3 O-ring	1	
4 Snap fastener	2	
5 Spacer ring	1	