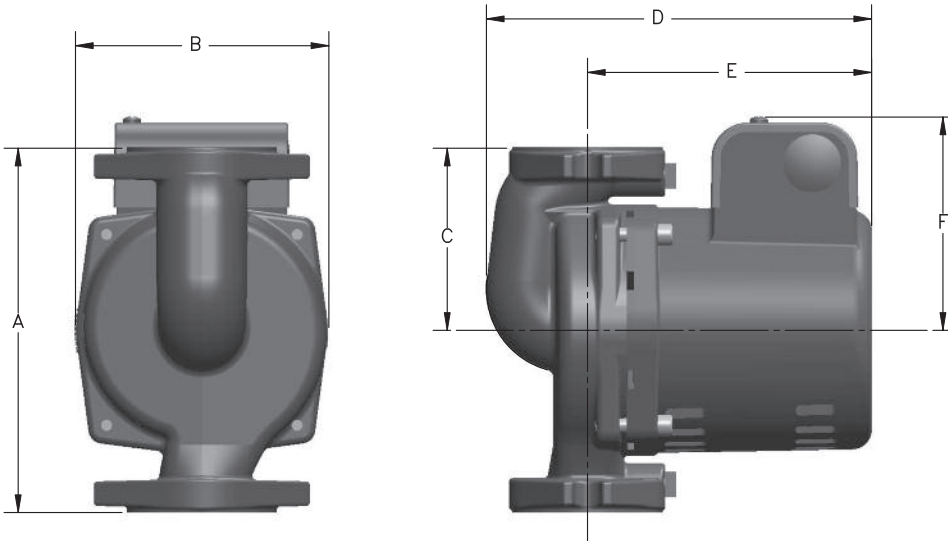


EFFECTIVE: March 3, 2015

SUPERSEDES: July 25, 2014

JOB _____ ENGINEER _____ CONTRACTOR _____ REP. _____

ITEM	MODEL NO.	G.P.M.	HEAD (FT.)	H.P.	ELEC. CHAR.
------	-----------	--------	------------	------	-------------



MATERIALS OF CONSTRUCTION

Casing: Cast Iron or Stainless Steel
 Face Plate: Stainless Steel
 Motor Housing: Aluminum
 Impeller: 30% Glass-filled Noryl *
 Impeller Insert: Stainless Steel
 Shaft: Stainless Steel
 Mechanical Seal: Carbon/Silicon-Carbide
 Motor Bearings: Stainless Steel, Permanently Lubricated
 O-Ring/Flange Gaskets: EPDM

* Noryl is a registered trademark of General Electric Co.

PUMP DIMENSIONS & WEIGHTS

CAST IRON MODEL	STAINLESS STEEL MODEL	CONNECTION TYPE	A		B		C		D		E		F		SHIP WEIGHT	
			IN.	MM	IN.	MM	IN.	MM	IN.	MM	IN.	MM	IN.	MM	LBS.	KG
2400-20-WP-3P	2400-20S-WP-3P	FLANGED	6 ³ / ₈	162	4 ¹ / ₂	114	3 ³ / ₁₆	82	6 ³ / ₄	171	4 ⁷ / ₈	124	3 ³ / ₄	95	12	5.5

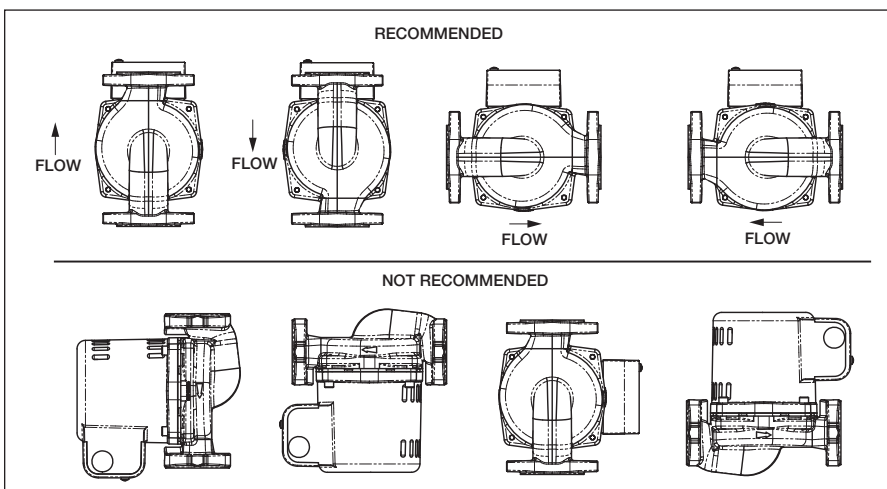
ELECTRICAL DATA

MODEL	VOLTS	Hz	Ph	AMPS	RPM	HP
	115	60	1	1.6	3450	1/6
Motor Type	Open Drip Proof, Permanent Split Capacitor, Thermally Protected					

COMPANION FLANGE SETS

CONNECTION	3/4"	1"	1 1/4"	1 1/2"
Iron NPT	110-251F	110-252F	110-253F	110-254F
Stainless Steel NPT	110-251SF	110-252SF	110-253SF	110-254SF
Bronze SWT	110-523BSF	110-524BSF	110-525BSF	110-526BSF
Shut-Off NPT	SF-075T	SF-100T	SF-125T	SF-150T
Shut-Off SWT	SF-075S	SF-100S	SF-125S	SF-150S

MOUNTING POSITIONS



PERFORMANCE DATA

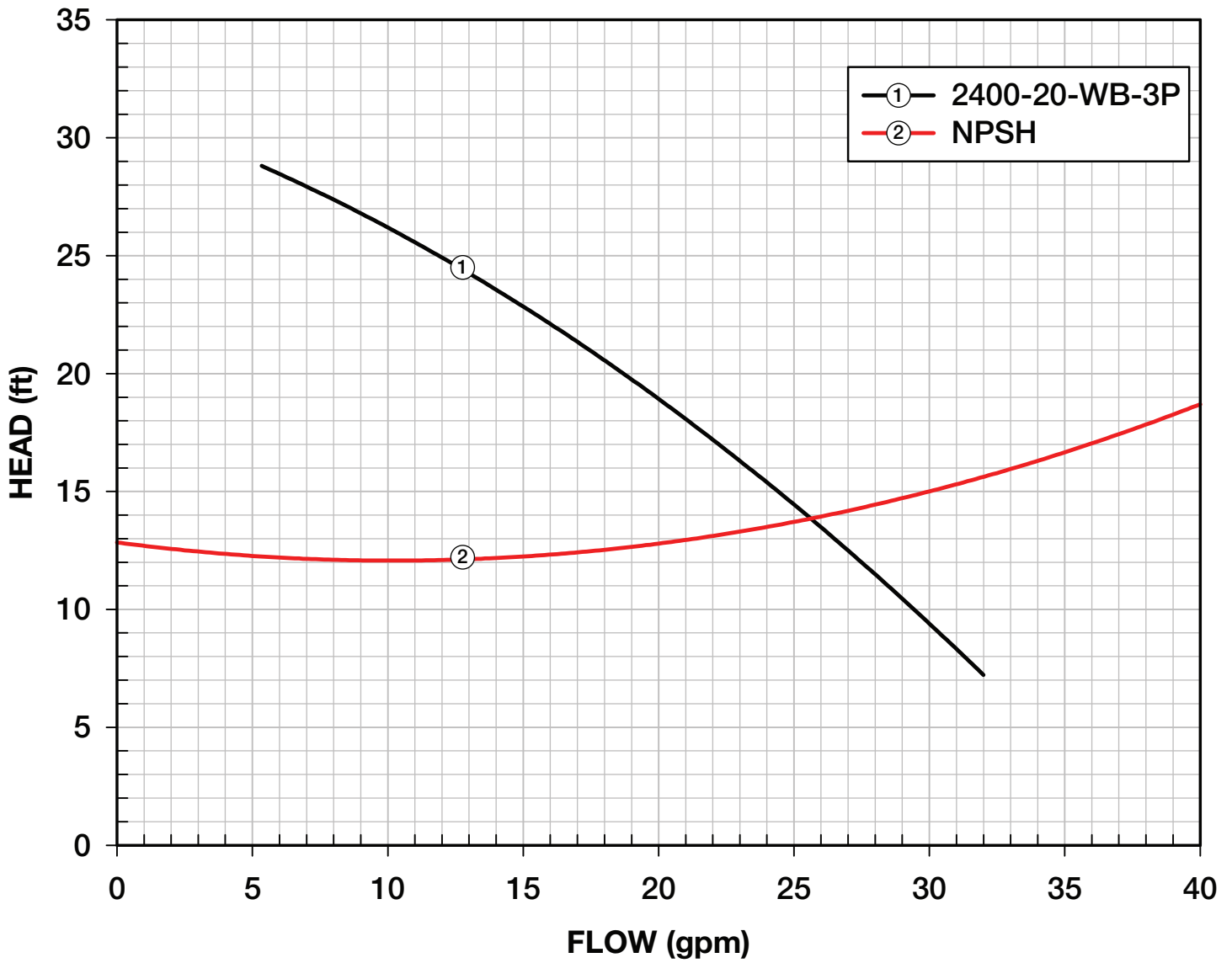
Flow Range: 0-32 GPM
 Head Range: 0-29 Feet
 Minimum Fluid Temp: 40°F (4°C)
 Maximum Fluid Temp: 225°F (107°C)
 Maximum Working Pressure: 150 psi

FOR INDOOR USE ONLY



Note: Stainless Steel Models

Taco® 2400-20-WB-3P Wood Boiler Pump



Taco Comfort Solutions™ A Taco Group Company

Taco, Inc., 1160 Cranston Street, Cranston, RI 02920 | Tel: (401) 942-8000 | FAX: (401) 942-2360

Taco (Canada), Ltd., 8450 Lawson Road, Suite #3, Milton, Ontario L9T 0J8 | Tel: (905) 564-9422 | FAX: (905) 564-9436

Visit our web site: www.TacoComfort.com | Printed in USA | ©2015 Taco, Inc.

