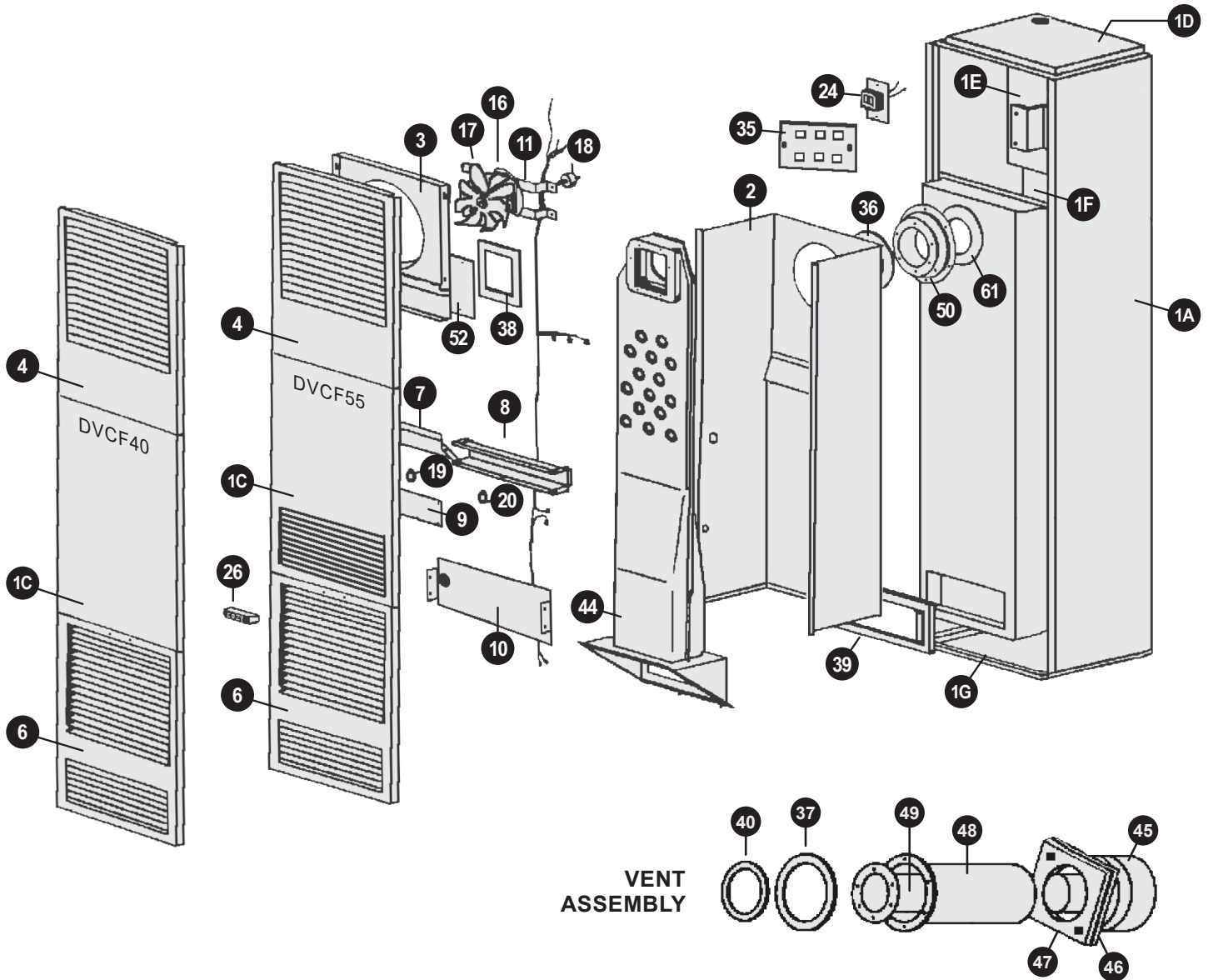


DIRECT VENT COUNTERFLOW WALL FURNACE PARTS LIST

Natural Gas: DVCF403C-H, DVCF553C-H, DVCF407C-H, DVCF557C-H
 Propane Gas: DVCF404C-H, DVCF554C-H, DVCF408C-H, DVCF558C-H



ATTN: CONTRACTORS AND QUALIFIED SERVICE TECHNICIANS:

We only sell parts through our wholesalers. For prompt parts service, contact the wholesaler from which you purchased your Cozy heater.

HOW TO PROPERLY ORDER PARTS:

In addition to the part description and numbers, please be prepared to provide:

- Model Number
- Serial Number
- Type of Gas Used

This information can be found on the rating plate that is attached to the heater.

NOTE: Parts & schematic drawings on current models are shown at: cozyheaters.com | Specifications subject to change without notice.

DIRECT VENT COUNTERFLOW WALL FURNACE PARTS LIST

Natural Gas: DVCF403C-H, DVCF553C-H, DVCF407C-H, DVCF557C-H

Propane Gas: DVCF404C-H, DVCF554C-H, DVCF408C-H, DVCF558C-H

Natural Gas Model Numbers		DVCF403C-H	DVCF407C-H	DVCF553C-H	DVCF557C-H
Propane Gas Model Numbers		DVCF404C-H	DVCF408C-H	DVCF554C-H	DVCF558C-H
REF. #	PART DESCRIPTION	PART NO.	PART NO.	PART NO.	PART NO.
1A	Casing Side, <i>Right</i>	34065	34065	34560	34560
1B	Casing Side, <i>Left</i>	34055	34055	34550	34550
1C	Center Front Panel Assembly	34104	34104	30534	30534
1D	Top Assembly	34050	34050	34050	34050
1E	Upper Back Assembly	34080	34080	34080	34080
1F	Lower Back Assembly	34090	34090	34575	34575
1G	Bottom Assembly	34070	34070	34070	34070
N/A	Casing Mounting Brackets	*30260	*30260	*30260	*30260
2	Liner Assembly	34115	34115	34600	34600
3	Fan Shroud Assembly	34140	34140	34140	34140
4	Top Louver	34100	34100	34590	34590
6	Bottom Louver Assembly	30100	30100	30100	30100
7	Upper Front Shield	30250	30250	30250	30250
8	Switch Box	30252	30252	30252	30252
9	Switch Box Cover	30253	30253	30253	30253
10	Lower Front Shield	30256	30256	30256	30256
11	Motor Mounting Bracket	*34088	*34088	*34579	*34579
16	Fan Motor	72108	72108	72110	72110
17	Fan Blade, <i>Dynacone</i>	72111	72111	72111	72111
18	Rubber Grommet (<i>Requires 4</i>)	**78010	**78010	**78010	**78010
19	Limit Switch, <i>60T11-L220F</i>	N/A	N/A	72160	72160
19	Limit Switch, <i>60T11-L180F</i>	78065	78065	N/A	N/A
20	Fan Switch, <i>60T12 F110 Degree</i>	78064	78064	78064	78064
22	Aux. Limit Switch, <i>60T15-L350</i>	78086	78086	78086	78086
24	Transformer	78069	78069	78069	78069
N/A	Transformer Plate	34089	34089	34089	34089
26	Cozy Handle	84003	84003	84003	84003
30	Wiring Harness	72251	72252	72253	72250
35	Terminal Board	78300	78300	78300	78300
36	Flue Outlet Pipe Gasket - 7" Circle	72055	72055	72055	72055
37	Air Intake Pipe Gasket - 9-1/2" Circle	72054	72054	72054	72054
38	Heat Exchanger Cover Plate Gasket - 7x6"	72053	72053	72053	72053
39	Burner Box Inlet Gasket - 11-1/2x5" (Air Box)	72052	72052	72052	72052
40	Exhaust Pipe Gasket - 7" Circle	72051	72051	72051	72051
44	Heat Exchanger Kit	34805	34805	34815	34815
45 & 46	Vent Cap Assy. w/ Spacer Plate Complete	34250	34250	34250	34250
47	Vent Cap Mounting Kit	34330	34330	34330	34330
48	Air Intake Pipe Assembly	34280	34280	34280	34280
49	Vent Exhaust Pipe Assembly	34290	34290	34290	34290
50	Slip Joint Assembly w/Gaskets	34220	34220	34220	34220
51	Air Drop Assembly	34201	34201	34630	34630
52	Heat Exchanger Cover Plate	34195	34195	34195	34195
61	Slip Joint Ring Gasket - 9-1/2" Circle	72056	72056	72056	72056
N/A	Slip Joint Gasket - 3-1/2x7	72057	72057	72057	72057
N/A	Slip Jt. Ring Gsk. (2 pc. Graphite) 3-3/4x7-1/2"	72058	72058	72058	72058

NOTE: Parts & schematic drawings on current models are shown at: cozyheaters.com | Specifications subject to change without notice.