

DATA SHEET



Three Phase Induction Motor - Squirrel Cage

Customer :																			
Product line	: Rolled Steel NEMA Premium Efficiency Three-Phase																		
Product code :	12751141																		
Catalog # :	005180T3E184T-SG																		
Frame : 182/4T Output : 5 HP (3.7 kW) Poles : 4 Frequency : 60 Hz Rated voltage : 230/460 V Rated current : 12.7/6.33 A L. R. Amperes : 91.2/45.6 A LRC : 7.2x(Code J) No load current : 6.29/3.15 A Rated speed : 1760 rpm Slip : 2.22 % Rated torque : 14.9 ft.lb Locked rotor torque : 200 % Breakdown torque : 310 % Insulation class : F Service factor : 1.15 Moment of inertia (J) : 0.4003 sq.ft.lb Design : B	Locked rotor time : 21s (cold) 12s (hot) Temperature rise : 80 K Duty cycle : Cont.(S1) Ambient temperature : -20°C to +40°C Altitude : 1000 m.a.s.l. Cooling method : IC01 - ODP Mounting : F-1 Rotation ¹ : Both (CW and CCW) Noise level ² : 55.0 dB(A) Starting method : Direct On Line Approx. weight ³ : 82.2 lb																		
Output	25% 50% 75% 100%																		
Efficiency (%)	87.5 88.5 88.5 89.5																		
Power Factor	0.38 0.63 0.76 0.82																		
Foundation loads																			
Max. traction : 248 lb																			
Max. compression : 330 lb																			
	<table border="0"> <tr> <td></td> <td style="text-align: center;"><u>Drive end</u></td> <td style="text-align: center;"><u>Non drive end</u></td> </tr> <tr> <td>Bearing type :</td> <td style="text-align: center;">6206 ZZ</td> <td style="text-align: center;">6205 ZZ</td> </tr> <tr> <td>Sealing :</td> <td style="text-align: center;">Without Bearing Seal</td> <td style="text-align: center;">Without Bearing Seal</td> </tr> <tr> <td>Lubrication interval :</td> <td style="text-align: center;">-</td> <td style="text-align: center;">-</td> </tr> <tr> <td>Lubricant amount :</td> <td style="text-align: center;">-</td> <td style="text-align: center;">-</td> </tr> <tr> <td>Lubricant type :</td> <td colspan="2" style="text-align: center;">Mobil Polyrex EM</td> </tr> </table>		<u>Drive end</u>	<u>Non drive end</u>	Bearing type :	6206 ZZ	6205 ZZ	Sealing :	Without Bearing Seal	Without Bearing Seal	Lubrication interval :	-	-	Lubricant amount :	-	-	Lubricant type :	Mobil Polyrex EM	
	<u>Drive end</u>	<u>Non drive end</u>																	
Bearing type :	6206 ZZ	6205 ZZ																	
Sealing :	Without Bearing Seal	Without Bearing Seal																	
Lubrication interval :	-	-																	
Lubricant amount :	-	-																	
Lubricant type :	Mobil Polyrex EM																		
Notes USABLE @208V 14.0A SF 1.00 SFA 14.0A																			
This revision replaces and cancel the previous one, which must be eliminated. (1) Looking the motor from the shaft end. (2) Measured at 1m and with tolerance of +3dB(A). (3) Approximate weight subject to changes after manufacturing process. (4) At 100% of full load.																			
These are average values based on tests with sinusoidal power supply, subject to the tolerances stipulated in NEMA MG-1.																			
Rev.	Changes Summary	Performed	Checked	Date															
Performed by																			
Checked by			Page	Revision															
Date	02/08/2021		1 / 6																

TORQUE AND CURRENT VS SPEED CURVE

Three Phase Induction Motor - Squirrel Cage



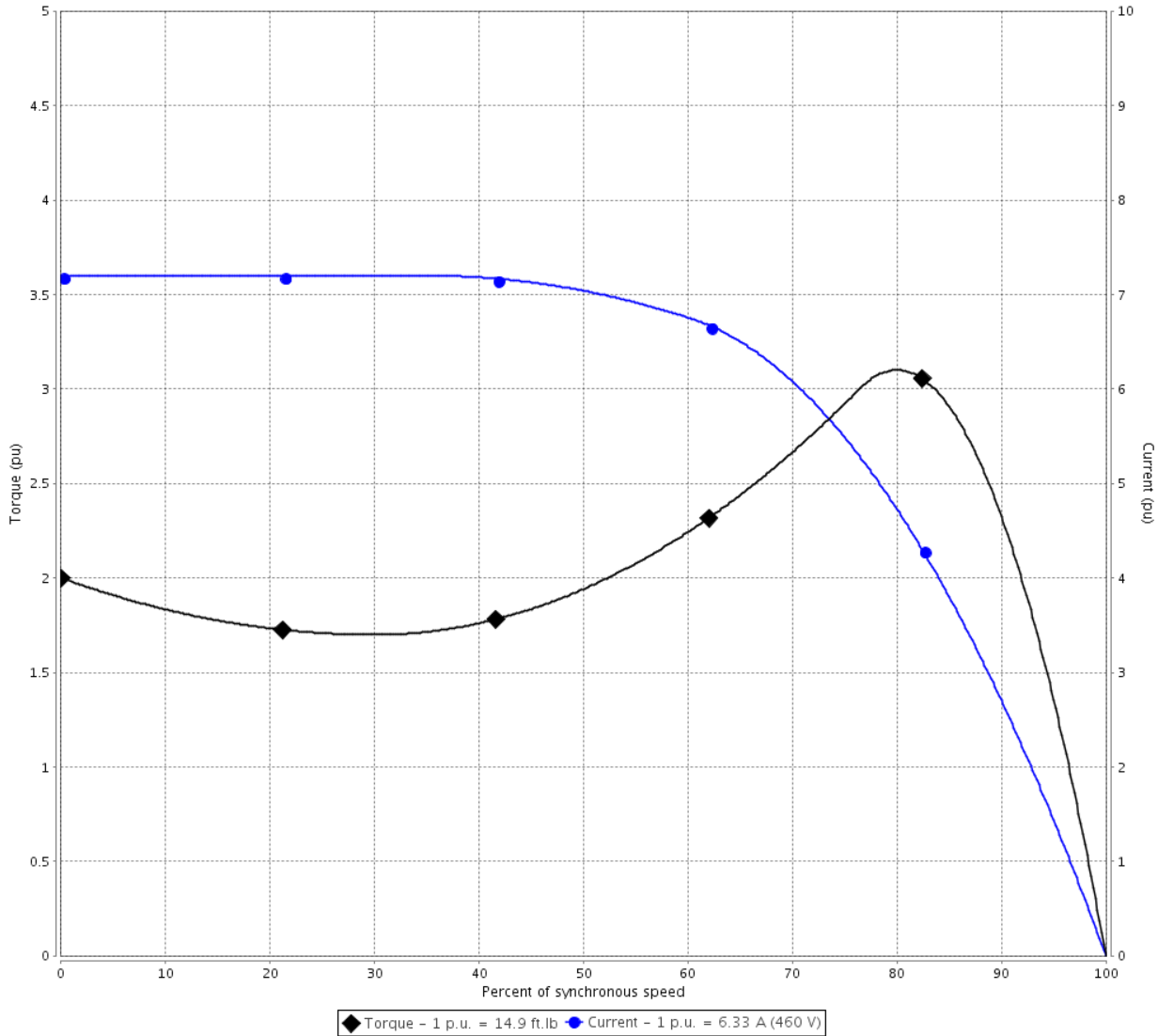
Customer :

Product line : Rolled Steel NEMA Premium Efficiency Three-Phase

Product code : 12751141

Catalog # : 00518OT3E184T-SG

TORQUE AND CURRENT VS SPEED CURVE



Performance : 230/460 V 60 Hz 4P

Rated current	: 12.7/6.33 A	Moment of inertia (J)	: 0.4003 sq.ft.lb
LRC	: 7.2	Duty cycle	: Cont.(S1)
Rated torque	: 14.9 ft.lb	Insulation class	: F
Locked rotor torque	: 200 %	Service factor	: 1.15
Breakdown torque	: 310 %	Temperature rise	: 80 K
Rated speed	: 1760 rpm	Design	: B

Locked rotor time : 21s (cold) 12s (hot)

Rev.	Changes Summary	Performed	Checked	Date
Performed by			Page 2 / 6	Revision
Checked by				
Date	02/08/2021			

LOAD PERFORMANCE CURVE

Three Phase Induction Motor - Squirrel Cage

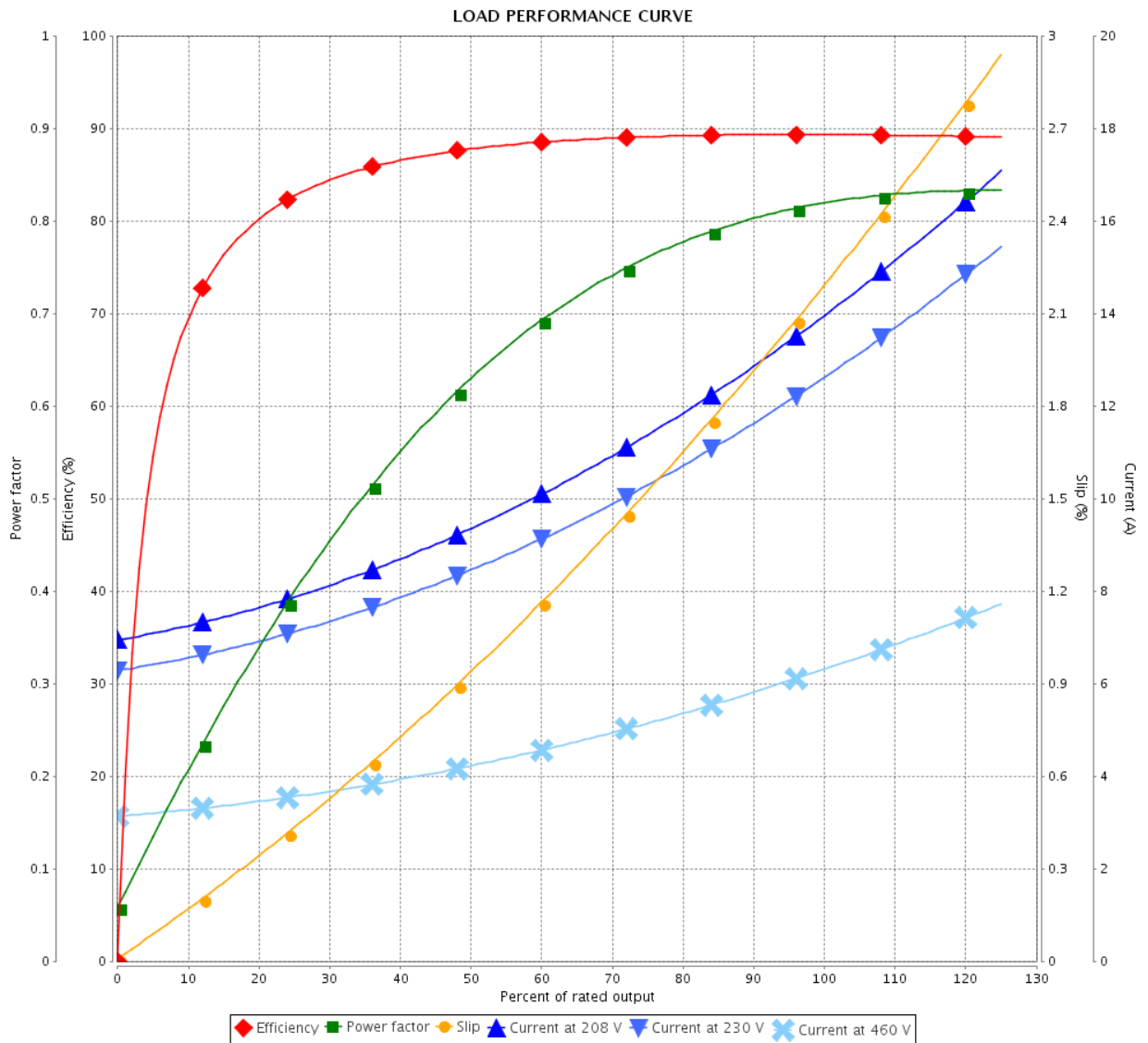


Customer : _____

Product line : Rolled Steel NEMA Premium Efficiency Three-Phase

Product code : 12751141

Catalog # : 00518OT3E184T-SG



Performance : 230/460 V 60 Hz 4P

Rated current : 12.7/6.33 A
 LRC : 7.2
 Rated torque : 14.9 ft.lb
 Locked rotor torque : 200 %
 Breakdown torque : 310 %
 Rated speed : 1760 rpm

Moment of inertia (J) : 0.4003 sq.ft.lb
 Duty cycle : Cont.(S1)
 Insulation class : F
 Service factor : 1.15
 Temperature rise : 80 K
 Design : B

Rev.	Changes Summary	Performed	Checked	Date
Performed by		Page		Revision
Checked by		3 / 6		
Date		02/08/2021		

THERMAL LIMIT CURVE



Three Phase Induction Motor - Squirrel Cage

Customer :

Product line : Rolled Steel NEMA Premium
Efficiency Three-Phase

Product code : 12751141

Catalog # : 00518OT3E184T-SG

Performance : 230/460 V 60 Hz 4P

Rated current : 12.7/6.33 A
LRC : 7.2
Rated torque : 14.9 ft.lb
Locked rotor torque : 200 %
Breakdown torque : 310 %
Rated speed : 1760 rpm

Moment of inertia (J) : 0.4003 sq.ft.lb
Duty cycle : Cont.(S1)
Insulation class : F
Service factor : 1.15
Temperature rise : 80 K
Design : B

Heating constant

Cooling constant

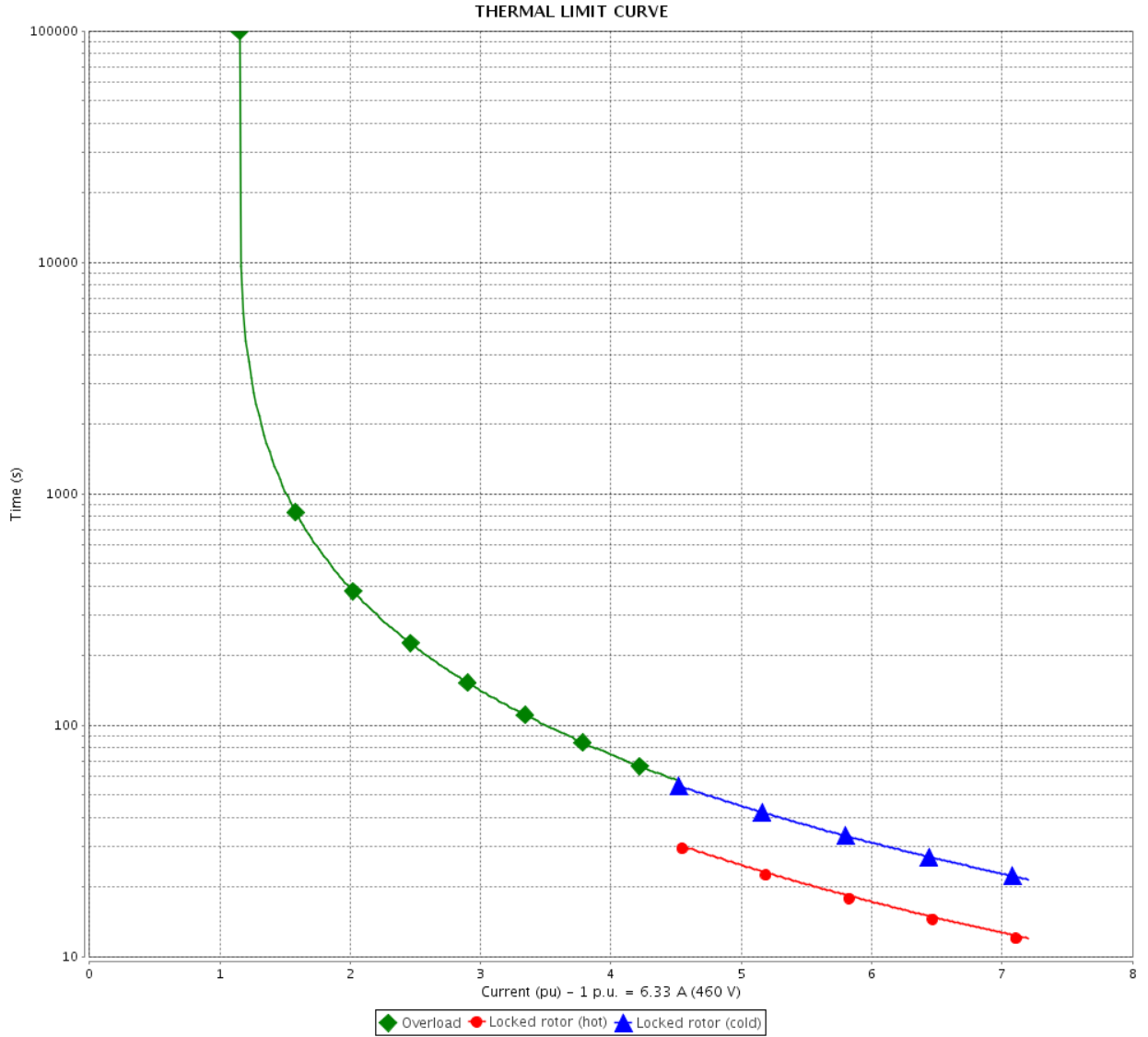
Rev.	Changes Summary	Performed	Checked	Date
Performed by		Page		Revision
Checked by		4 / 6		
Date	02/08/2021			

THERMAL LIMIT CURVE

Three Phase Induction Motor - Squirrel Cage



Customer : _____



Rev.	Changes Summary	Performed	Checked	Date
Performed by		Page 5 / 6		Revision
Checked by				
Date				

VFD OPERATION CURVE

Three Phase Induction Motor - Squirrel Cage

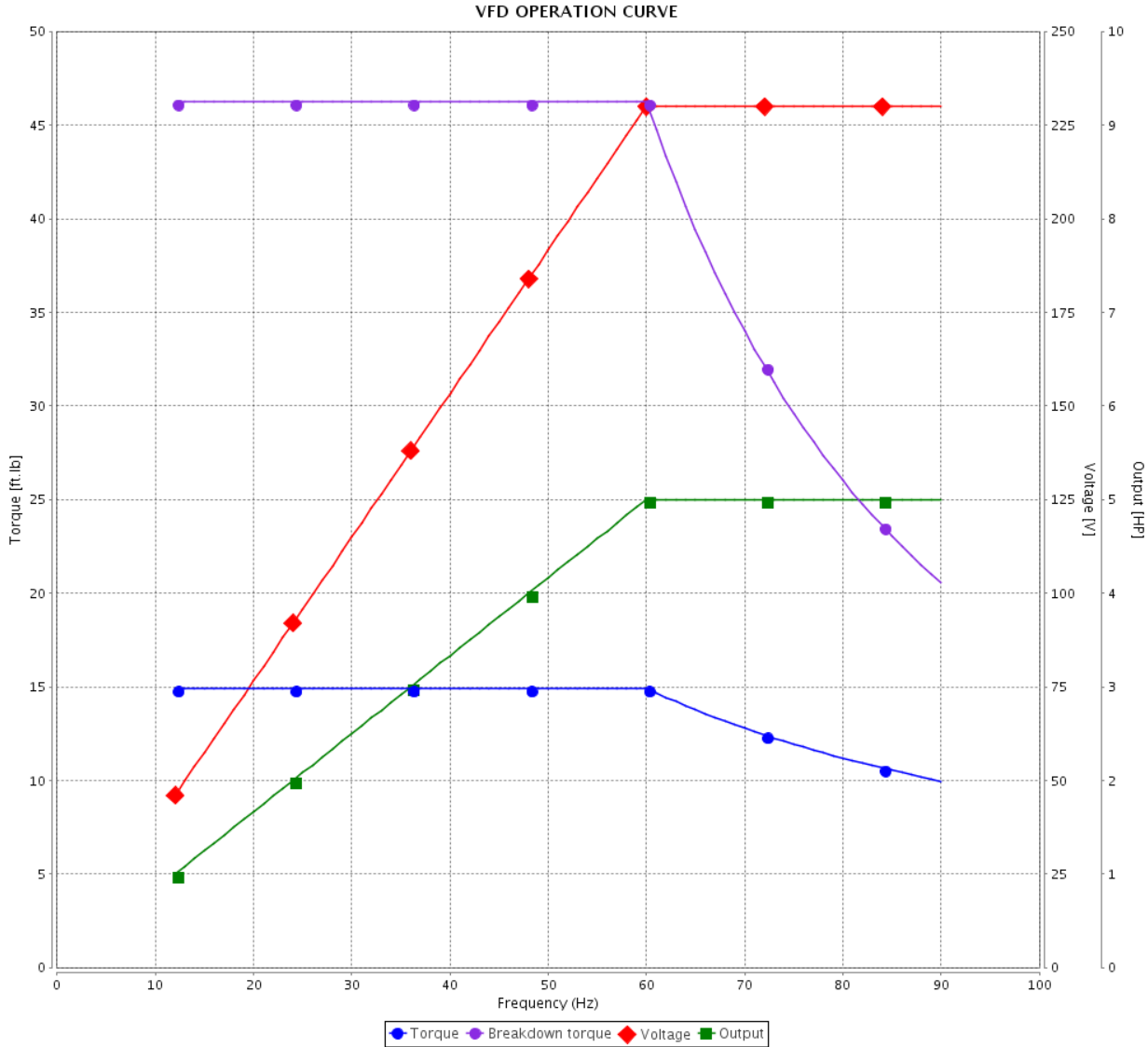


Customer :

Product line : Rolled Steel NEMA Premium Efficiency Three-Phase

Product code : 12751141

Catalog # : 005180T3E184T-SG



Performance : 230/460 V 60 Hz 4P

Rated current : 12.7/6.33 A
 LRC : 7.2
 Rated torque : 14.9 ft.lb
 Locked rotor torque : 200 %
 Breakdown torque : 310 %
 Rated speed : 1760 rpm

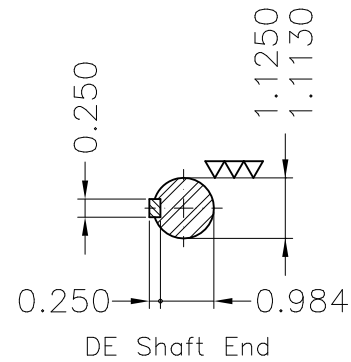
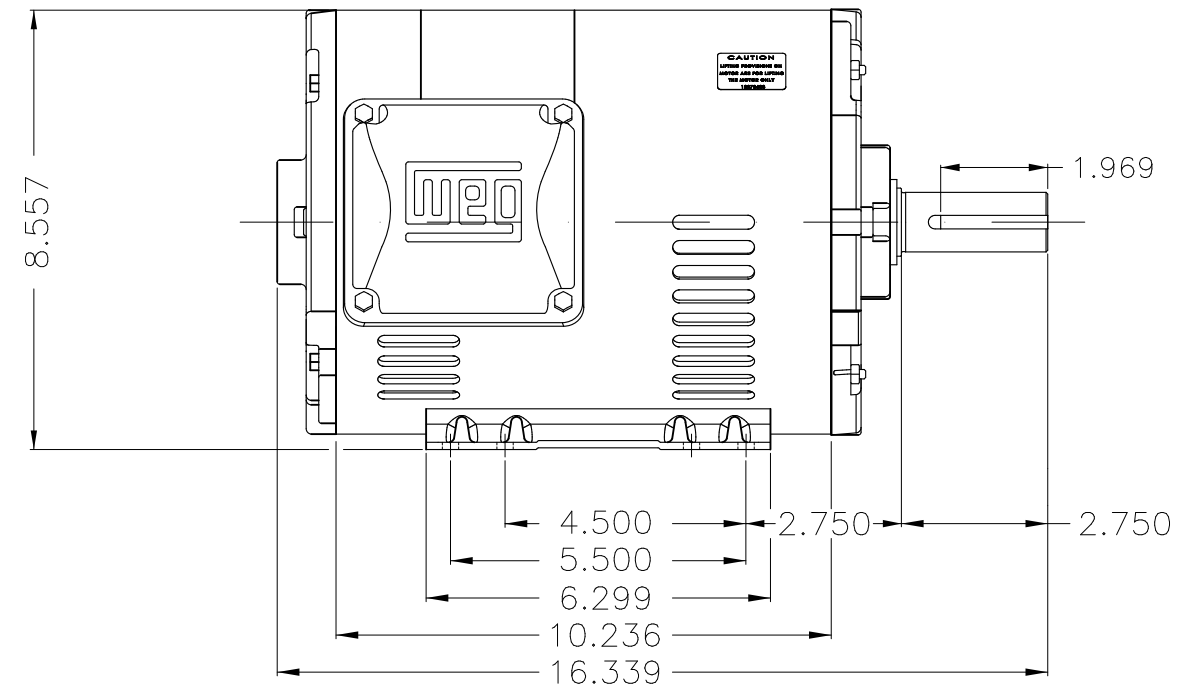
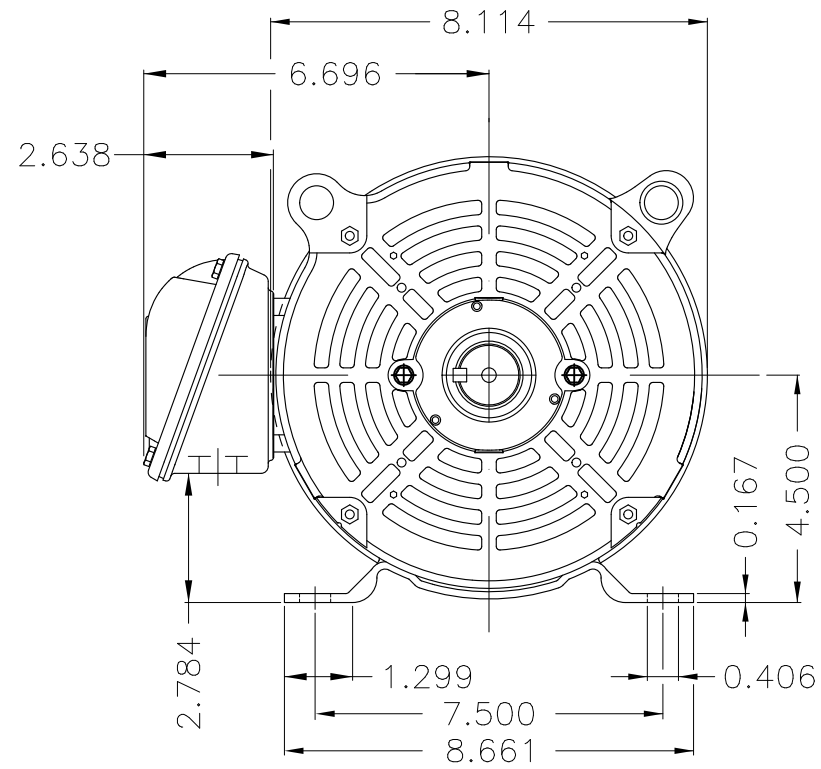
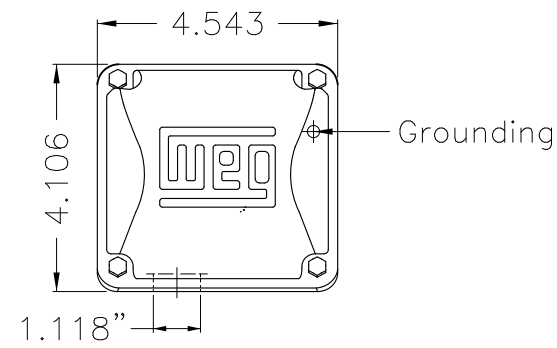
Moment of inertia (J) : 0.4003 sq.ft.lb
 Duty cycle : Cont.(S1)
 Insulation class : F
 Service factor : 1.15
 Temperature rise : 80 K
 Design : B

Rev.	Changes Summary	Performed	Checked	Date
Performed by			Page 6 / 6	Revision
Checked by				
Date	02/08/2021			

No reproduction of this drawing is allowed without written permission of WEG Motores

EIXO
 PADRÃO
 OPCIONAL
 ESPECIAL
 Dimensões em polegada
 Dimensions in inches

THIS IS AN UPDATED REVISION, THE PREVIOUS ONE MUST BE DISREGARDED.



Internal AEGIS ground ring on the DE
 Bearing cap
 Color Munsell N 1 matte black
 Painting plan 207N
 Mounting F-1/B3R(D)

ECM	LOC	SUMMARY OF MODIFICATIONS	EXECUTED	CHECKED	RELEASED	DATE	VER
EXECUTED	USERADMIN	THREE P. MOTOR OPEN ROLLED STEEL NEMA PREM					
CHECKED		FRAME 182/4T ODP					
RELEASED		WEG code: 12751141					
REL DT	02.08.2021	WMO Jaragua do Sul	Product Engineering	SHEET	1 / 1		

5 HP 04 Poles 60Hz

A



ZME A3

**NEMA
Premium**

3PT9



Energy Verified

MADE IN MEXICO

MAT: 12751141 CC029A

W01.T00IC0X0N

MODEL 005180T3E184T-SG

15JUL2021 S/N:

PH 3	Hz 60	HP 5.0
FR 182/4T		KW 3.7
DUTY CONT.		V 230/460
ALT 1000 m.a.s.l.		A 12.7/6.33
INS CL F AT 80K		SFA 14.6/7.28
AMB 40°C	DES B	SF 1.15
ENCL ODP	CODE J	PF 0.82
USABLE @ 208V 14.0A		RPM 1760
SF1.00		NEMA NOM. EFF 89.5%

ALTERNATE RATING: 5.0HP 50Hz 190-220/380-415V SF1.15
 15.4-13.57.71-7.18A 1445RPM EFF 84.8% (IE1) IEC 60034-1

Inverter duty motor For 80Hz use on VPWM 1000:1 VT, 5:1 CT

DE 6206-ZZ ODE 6205-ZZ MOBIL POLYREX EM



T1-BLU T2-WHT
 T3-ORG T4-YEL
 T5-BLK T6-GRY
 T7-PNK T8-RED
 T9-BRK RED

INTERCHANGE ANY TWO LINE WIRES TO REVERSE THE ROTATION



WARNING: Motor must be grounded in accordance with local and national electrical codes to prevent serious electrical shocks. Disconnect power source before servicing unit.

AVERTISSEMENT: Le moteur doit être mis à la terre

conformément aux codes électriques locaux et nationaux afin d'éviter tout choc électrique grave. Déconnectez l'alimentation avant l'entretien de la machine.

