

14004878-001 Pneumatic Thermostat Cover Kit

INSTALLATION INSTRUCTIONS

GENERAL

1. Determine whether thermostat is mounted vertically or horizontally.
2. Determine whether cover requires a setpoint and thermometer window or a blank window.
3. Select the appropriate window insert (Fig. 1).
4. Determine if a Setpoint Cover Insert (14004437-003) is required. Generally, if the window is blank, the Setpoint Cover Insert is required.
5. Follow the instructions in Installation Section to assemble and mount the cover.

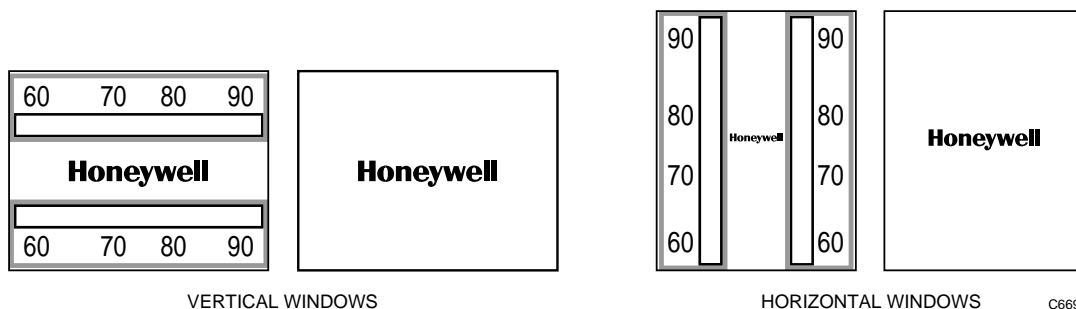


Fig. 1. Windows.

ASSEMBLY

1. Remove the caution card from the cover.
2. Peel the release liner from selected window back.

CAUTION

To prevent damage to the window, carefully check the window selection and orientation before installing the window. Once assembled, disassembly may damage the window.

3. Ensure that the window is oriented correctly for the assembly. When viewed from the front of the cover, the setpoint and day/auto openings are on the bottom for a vertical cover or on the right for a horizontal cover. The cover has slots which must mate with the mounting ears on the backplate.
 - a. Insert the top edge of the window (Fig. 2) into the slot in the top of the window hole.
 - b. Bend the window slightly and pop the bottom edge into the slot in the bottom of the window hole.
 - c. Press in place to secure window.

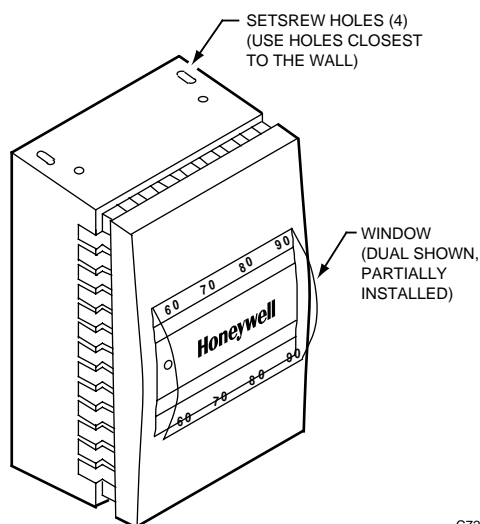


Fig. 2. Installation of window insert.

C7256



4. If a Setpoint Cover Insert is required, assemble per Figure 3.

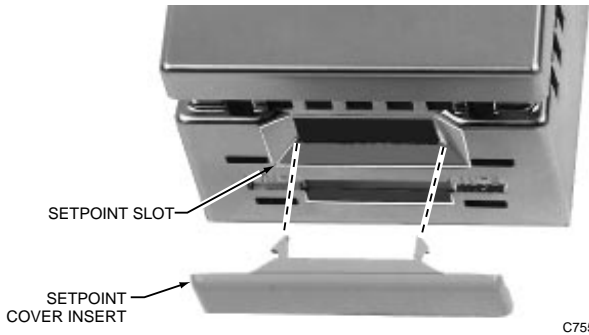


Fig. 3. Setpoint cover insert

MOUNTING

Mount the cover (Fig. 4) by hooking the two slots on the cover bottom (right end for horizontal mounting) on the mounting ears of the backplate. Swing the cover into place. Back out (counterclockwise) the setscrews with the Thermostat Tool (CCT735A) or a 0.050-inch Allen wrench to secure the cover.

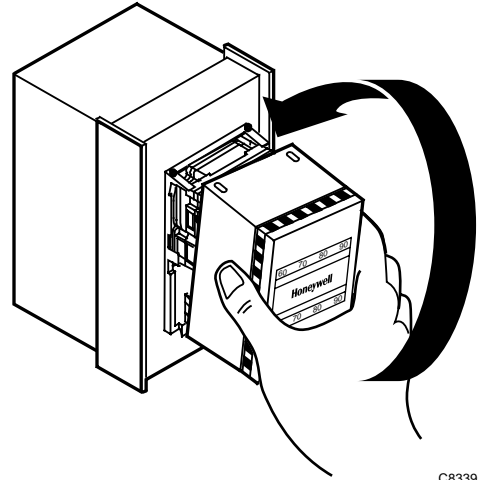


Fig. 4. Mounting cover.