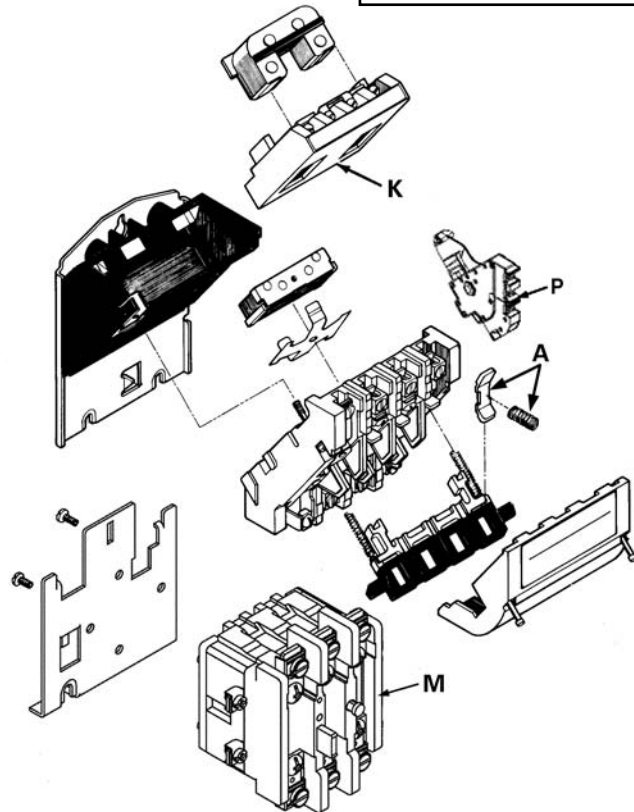


Replacement Parts

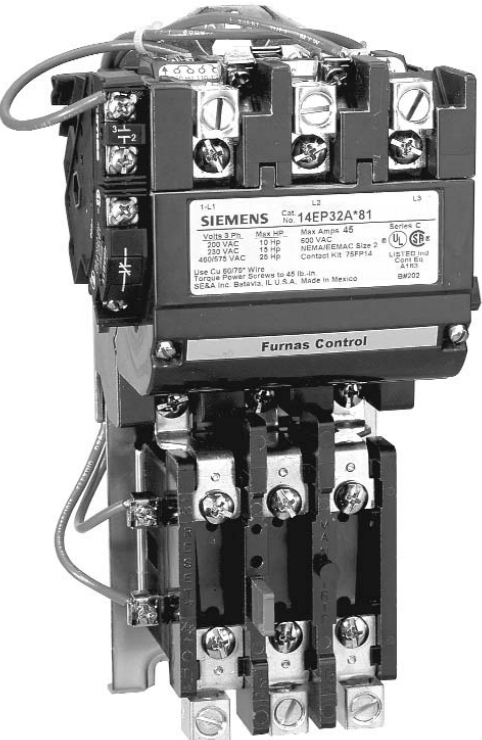
August, 2004
Supersedes Issue of
May, 2002

IMPORTANT
THESE INSTRUCTIONS DO NOT PURPORT TO COVER ALL DETAILS OR VARIATIONS IN EQUIPMENT, NOR TO PROVIDE FOR EVERY POSSIBLE CONTINGENCY TO BE MET IN CONNECTION WITH INSTALLATION, OPERATION OR MAINTENANCE. SHOULD FURTHER INFORMATION BE DESIRED OR SHOULD PARTICULAR PROBLEMS ARISE WHICH ARE NOT COVERED SUFFICIENTLY FOR THE PURCHASER'S PURPOSES, THE MATTER SHOULD BE REFERRED TO THE LOCAL SIEMENS SALES OFFICE.

THE CONTENTS OF THIS INSTRUCTION MANUAL SHALL NOT BECOME PART OF OR MODIFY ANY PRIOR OR EXISTING AGREEMENT, COMMITMENT OR RELATIONSHIP. THE SALES CONTRACT CONTAINS THE ENTIRE OBLIGATION OF SIEMENS. THE WARRANTY CONTAINED IN THE CONTRACT BETWEEN THE PARTIES IS THE SOLE WARRANTY OF SIEMENS. ANY STATEMENTS CONTAINED HEREIN DO NOT CREATE NEW WARRANTIES OR MODIFY THE EXISTING WARRANTY.



14-GE
Starters and Contactors
Sizes 00, 0, 1, 1P & 1½
Class 14 & 40
14BP, 14CP, 14DP, 14EP, 40BP, 40CP, 40DP, 40EP



WARNING
Hazardous voltage.
Can cause death or serious injury.

Disconnect main power and control voltages before installation or maintenance on this equipment.

Item	Part Description	Part Number
A	Contacts & Spring, One Complete Pole Power Pole	Size 00 75BF14
		Size 0 75CF14
		Size 1 75DF14
		Size 1P, 1½ 75EF14
		Auxiliary Contact Pole (includes spring retainer) All Sizes 75AF14
K	Coil	60 Hertz
		50 Hertz
		120v 110v 75D73070F
		110-120v/220-240v 110v/190-220v 75D73070A
		220-240v/440-480v 190-220/380-440v 75D73070C
550-600v 550v 75D73070E		
For other voltages specify the number stamped on the coil.		

Item	Part Description	Part Number
M	Thermal Overload Relays (includes baseplate)	Ambient Compensated Bimetal
		Sizes 00-1 1 Pole 48DC18AA3
		3 Pole 48DC38AA3
		Size 1½ 1 Pole 48EC18AA3
		3 Pole 48EC38AA3
P	Auxiliary Contacts	NO+NC 49AB11
		NO 49AB10
		NC 49AB01

NOTE: When ordering replacement parts, give catalog number of control, and part name and number.

(For Engineering Reference Only - Rev. F)