

- 1 1/4" NPT
- Brass Body
- 2-Way Zero Differential
Piloted Diaphragm
- Normally Closed



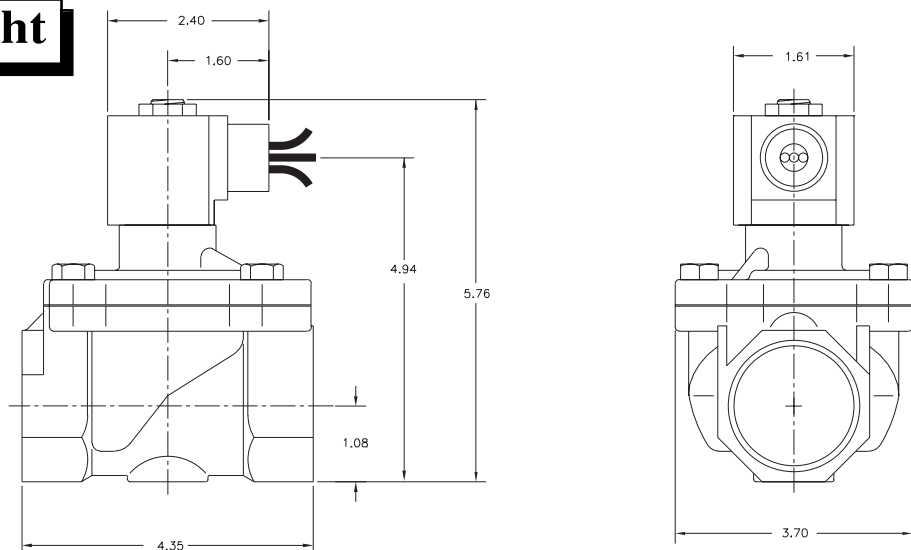
| | | |
|-----------------------|-----------------------|---|
| Materials | Seals: | Nitrile, Viton®, Ethylene Propylene |
| | Orifice: | Pilot: Stainless Steel Main: Brass Ø 1 1/4" |
| Electrical | Standard Housing: | Encapsulated Waterproof Conduit (NEMA 4/4X) |
| | Optional Housings: | Metallic Conduit, Explosion-proof (NEMA 7), Grommet, Open Frame, Junction Box (single or dual knockouts), DIN; Contact GC Valves Customer Service for others. |
| | Standard Voltages: | 24, 120, 240 AC 60 Hz; 50 Hz available 6, 12, 24 DC; Contact GC Valves Customer Service for Additional Voltages. |
| | Voltage Tolerance: | ±10% of applicable voltage |
| | Coil Classes: | F, H, N |
| | Standard Lead Length: | 24 inch |
| Operating Temperature | Ambient (Nominal): | 32°F to 125°F |
| Mounting | Position: | Vertical and Upright |
| Approvals* | Agency: | UL Listed, UL Recognized, CSA Approved |

* Not available for all variations

© Registered Trademark of DuPont Co.

Dimensions/Weight

| |
|----------------------|
| Weight (lbs.) |
| 5.7 |



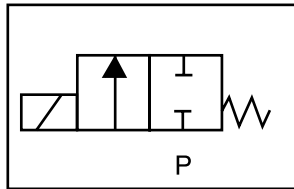
GC Valves Customer Service: 800-828-0484 (7:30am to 4pm ET) or 800-582-4232 (7:30am to 4pm PT)



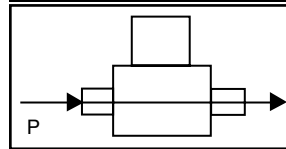
S201 – 1 1/4" NPT, Brass Body, Normally Closed

Valve Selection List

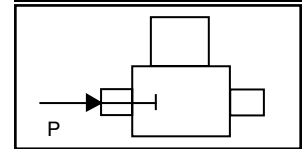
Normally Closed



Energized



De-Energized



| Pipe Size NPT | Orifice Size IN | C _v | Minimum | Operating Pressure Differential (psi) | | | | | | | | Max Fluid Temp. °F | Seal Material | Power Consumption (Watts) | | Model Code (120V/60HZ — 110V/50HZ) Shown |
|------------------|--------------------|----------------|---------|---------------------------------------|---|-------|---|-----------|---|--------|-----|--------------------------|---------------|---------------------------|---------------|--|
| | | | | Maximum | | | | | | | | | | AC | DC | |
| | | | | Air/Gas | | Water | | Light Oil | | Steam* | AC | | | DC | AC | DC |
| 1 1/4 | 1 1/4 | 18 | 0 | 50 | — | — | — | — | — | — | 295 | EPR | 10 | — | S201GF02C5GJ2 | |
| | 1 1/4 | 18 | 0 | 50 | — | — | — | — | — | — | 180 | Nitrile | 10 | — | S201GF02N5GJ2 | |
| | 1 1/4 | 18 | 0 | 50 | — | — | — | — | — | — | 230 | Viton | 10 | — | S201GF02V5GJ2 | |
| | 1 1/4 | 18 | 0 | — | — | — | — | — | — | 50* | 295 | EPR | 10 | — | S201GH02C5GJ2 | |

* Class H Coil Recommended for Steam and Other High Temperature Applications

Part Numbering

| 1 | 2 | 3 | 4 | 5 | 6 | 7 | 8 | 9 | 10 | 11 | 12 | 13 |
|--|----------|----------|--------------------|------------|--------------------------|----------------------|----------|----------------------------------|---------------|-----------------|--------------|----------|
| S | 2 | 0 | 1 | G | F | 0 | 2 | C | 5 | G | J | 2 |
| Series | | | Operating Mode | Housing* | Coil Class* | Voltage* | | Seal Material | Body Material | Pipe Connection | Orifice Size | |
| S20 | | | 1: Normally Closed | G: Conduit | F: Class F H: Class H | 02: 120/60 110/50 | | C: EPR N: Nitrile V: Viton | 5: Brass | G: 1 1/4" NPT | J2: 1 1/4" | |
| * See the "Engineering Guide" for additional voltages, variations and options. | | | | | | | | | | | | |

Coil Data

| Coil Family | |
|-------------|------|
| Type | Size |
| All | S4 |

| | | |
|--------------------|---------|----|
| Frequency (Hz) | 60 | 50 |
| Nominal Power (VA) | Inrush | 46 |
| | Holding | 18 |

GC Valves Customer Service: 800-828-0484 (7:30am to 4pm ET) or 800-582-4232 (7:30am to 4pm PT)