

Hoffman|Controls

Installation & Operating Instructions

207-W Series

Electronic Thermostat

Thermostat & Hardware

- Thermostat (Cover & Base), white
- Electrical Box Cover (Size 2" X 4" electrical box)

Mounting Hardware

- Two #6 x 1/2" painted screws (for the wall plate to J-Box).
- Two #6 x 1" flathead phillip screws (for the thermostat wall plate).
- Three wire nuts.
- Wall anchors when wall plate is not required.

Electrical Box Mounting

Figure 1

1. Remove thermostat cover from thermostat base. (See Figure 3.)
2. Insert wires from thermostat base through electrical box cover (1/2" hole).
3. Wire thermostat to field thermostat cable, using wire nuts. (Color-code to assure proper connection.)
4. Mount electrical box cover to horizontally mounted electrical J Box with two #6-x-1/2" painted head screws. (See Figure 1.)
5. Attach thermostat base to wall plate. Do Not Remove nylon shims holding two premounted #6 x 1" flathead philip screws. Thermostat base will mount with less than 1/16" clearance to wall plate. Clearance is required to allow cover to snap over sub-base.

CAUTION

Sub-base should be firmly secured to plate. Do not over tighten!

6. Check thermostat base to see if it is centered evenly on wall plate. If incorrectly installed, the thermostat base will not frame on center of electrical box cover; Review #4.

7. Place thermostat cover over thermostat base, securing left side first; push right side until "snap" secures (locks) cover in place.

Direct Wall Surface Mount

Figure 2

(Sub-Base directly to the wall)

1. Remove thermostat cover from thermostat base. (See Figure 3).
2. Wire thermostat base to field thermostat cable, using wire nuts. (Color code to assure proper connection.)
3. Position base on the wall at proposed mounting location (using premounted #6 x 1" flathead screws installed in sub-base as template), mark wall surface for anchor mounting hole location.
4. Punch or drill holes at markings for plastic wall anchors. Do Not Remove nylon shims holding screws in base before mounting to wall. Install wall anchors and attach base to wall with two #6 x 1" phillip screws. Thermostat base will mount with less than 1/16" clearance to wall.
5. Place thermostat cover over base, securing left side first, push right side until "snap" secures cover in place.

Cover Release Instructions

Figure 3

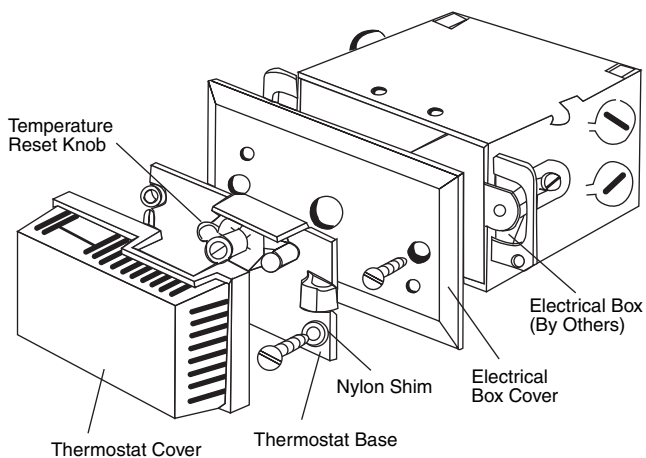
1. When facing the thermostat cover, place a small screwdriver between the 4th and 5th ribbed openings on the right side of the thermostat cover. The thermostat assembly should be held against a solid surface if it is not mounted on the wall.
2. Push firmly to the left and to the back side of cover until latch releases the base from the cover.
3. To replace cover, place over base, left side first, press firmly until the cover "snaps" to secure (lock) in place.

Diagrams

Figures 1 & 2 describe major items of electronic thermostat assembly when mounted to electrical box and directly to wall. The thermostats in Figures 1 & 2 show the concealed setpoint adjustment. Installation for visible setpoint is the same. The thermostat will mount with approximately 1/16" clearance to wall or electrical box cover.

Figure 1

Shows major items of assembly when mounting the thermostat to electrical box. Do Not Remove nylon shims (not shown) when mounting base to cover.



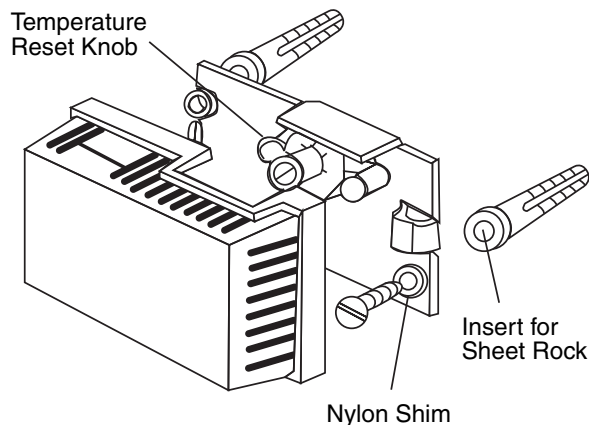
**Electrical Box Mounting
Figure 1**

Figure 2

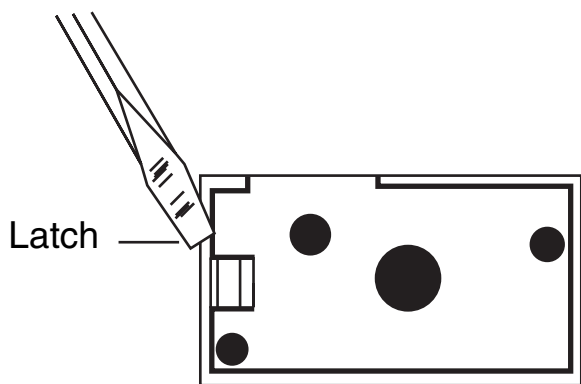
Shows major items of assembly used when mounting the thermostat directly to the wall. Do Not Remove nylon shims (not shown) from #6 x 1 phillip screws.

Figure 3

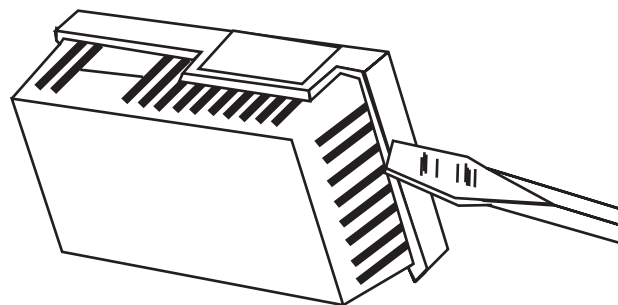
Shows the proper position of small screwdriver for release of latch securing cover to thermostat base. Do not try to gain access to thermostat by pulling on cover. The thermostat has been designed to provide entry only to those persons receiving specific instructions.



**Direct to Wall Mounting
Figure 2**



Back of Thermostat



**Cover Release
Figure 3**

Hoffman|Controls