



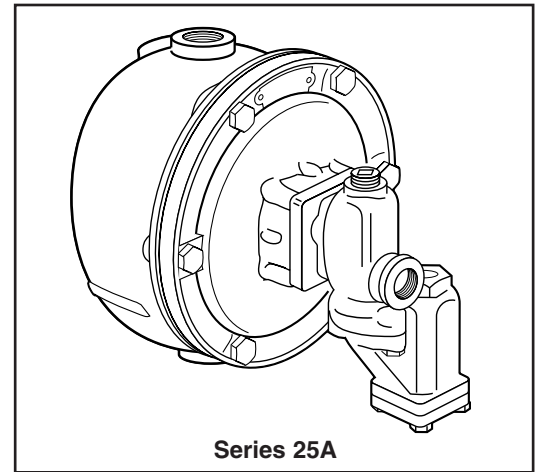
# 25A Make-Up Water Feeder For Receiving Tanks

For Residential and Commercial Applications






## OPERATION

Maximum Body Pressure: 35 psi

Maximum Water Supply Pressure: 100 psi



## WARNING

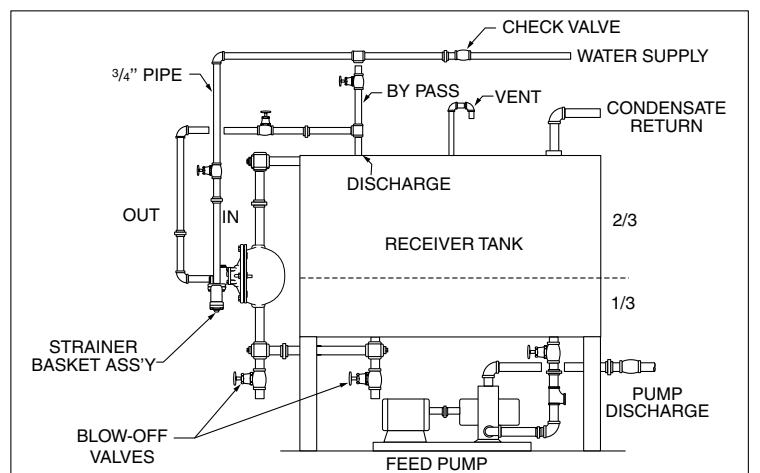
|   |  |
|---|--|
|    | <ul style="list-style-type: none"><li>• Before using this product read and understand instructions.</li><li>• Save these instructions for future reference.</li></ul>  |
|  | <ul style="list-style-type: none"><li>• All work must be performed by qualified personnel trained in the proper application, installation, and maintenance of plumbing, steam, and electrical equipment and/or systems in accordance with all applicable codes and ordinances.</li></ul> |
|  | <ul style="list-style-type: none"><li>• Drain water level down below feeder and let cool to 80°F (27°C) before servicing.</li></ul>  |
|  | <ul style="list-style-type: none"><li>• If tank or receiver is pressurized relieve pressure to 0 psi (0 Bar) before servicing.</li></ul>   |
|  | <p>Failure to follow this warning could cause property damage, personal injury or death.</p>   |

## INSTALLATION – TOOLS NEEDED:

Two (2) pipe wrenches, pipe dope, assorted fittings and lengths of 1" pipe.

### STEP 1 - Determine Location of the Feeder

- a. The feeder is usually mounted one-third (1/3) of the way up from the bottom of the tank. This provides two-thirds (2/3) of the tank for return condensate.



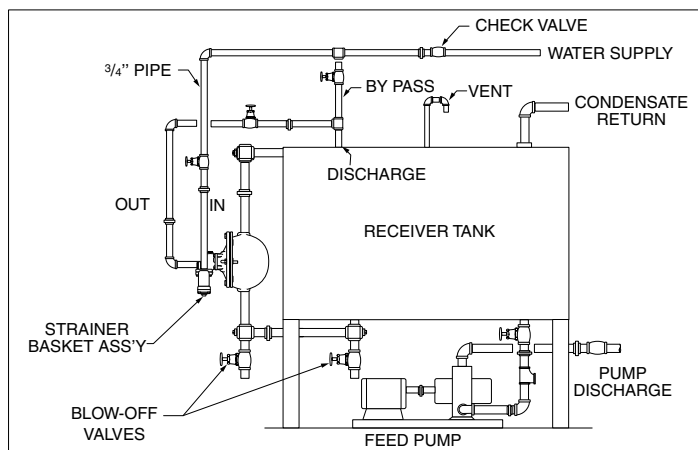


# ITT

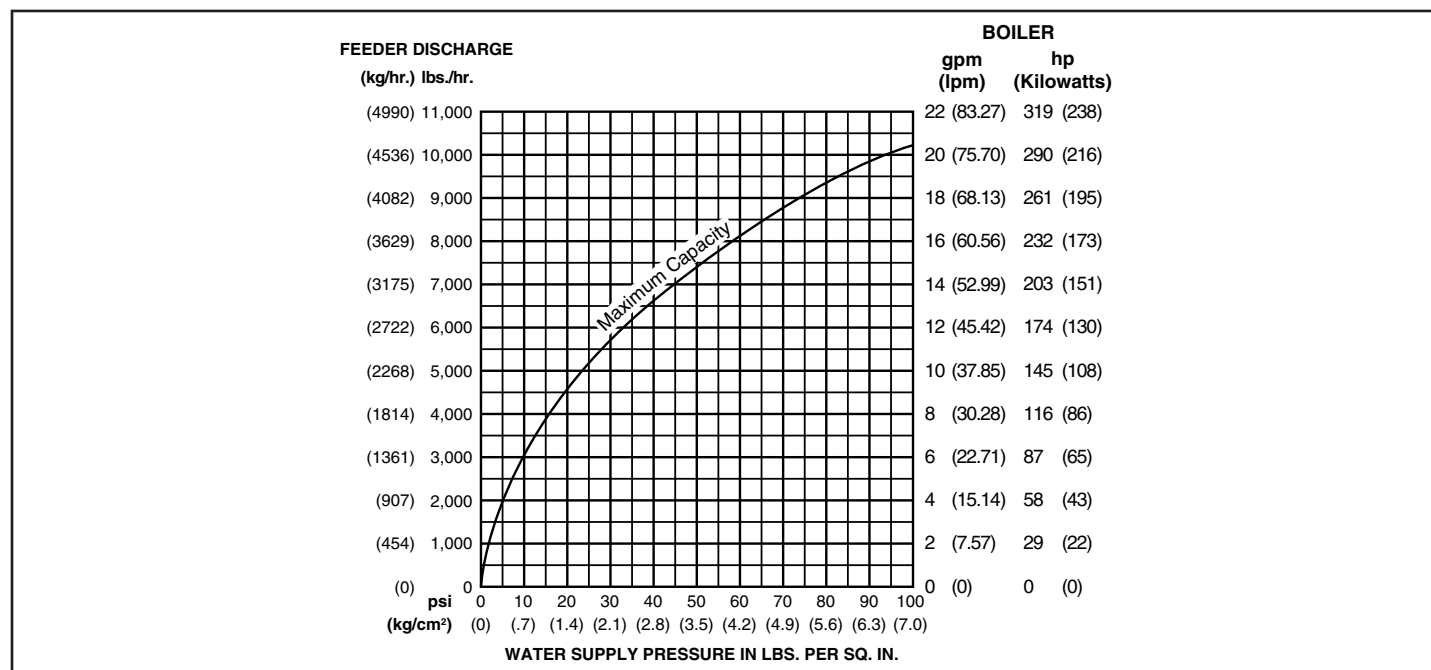
# McDonnell & Miller

## STEP 2 - Installation of Model 25A

- a. Follow the diagram to the right for piping the feeder to the tank and water supply. Remember to leave room for servicing the water feeder.
- The discharge piping should be connected to the top of the tank. The height of the discharge piping should be as short as possible and use minimum amount of fittings.
  - An air break can be used if code mandates one.
  - There is not a positive seal between the valve and the float chamber. If too much back pressure is developed, the water from the valve will go into the float chamber.
  - At all right angle turns in the equalizing piping, crosses should be used to facilitate inspection and cleaning.



## Capacity Curve No. 25A



## MAINTENANCE

### SCHEDULE:

- **Blow down weekly during heating season.** Blow down may have to be more frequent depending on local water conditions and the amount of make-up water.

- **Clean strainer at least twice during heating season.** Cleaning may have to be more frequent depending on local water conditions and the amount of make-up water.
- **Replace control every 15 years.**