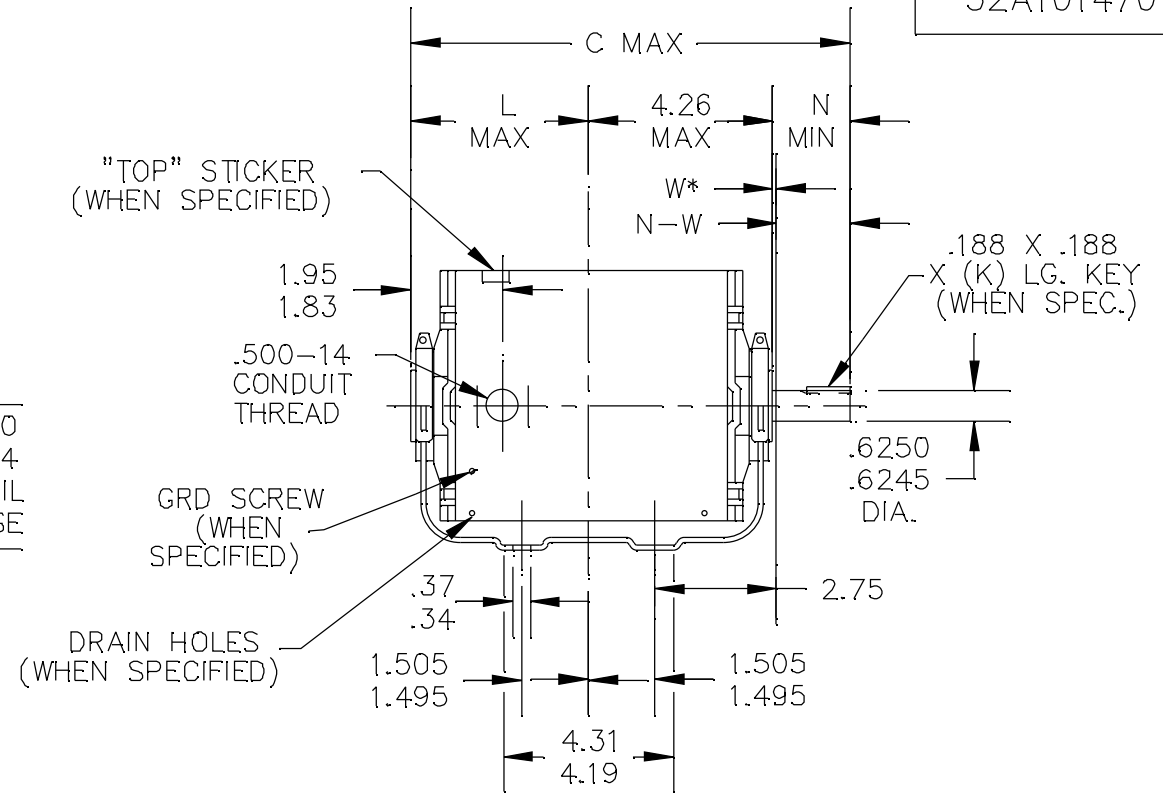


VIEW SHOWING PE VENTILATION OPENINGS



*W IS A CLEARANCE DUE TO VARIATION IN PARTS & ASSEMBLY.

6	KCP	38	56	9.51	3.42	1.88	2.01/1.79	1.38	
5	K-KH	39	56	11.85	5.76	1.88	2.01/1.79	1.38	7.75
4	K-KH	38	56	11.32	5.23	1.88	2.01/1.79	1.38	
3	K-KH	37	56	10.72	4.63	1.88	2.01/1.79	1.38	
2	K-KH	36	56	10.32	4.28	1.88	2.01/1.79	1.38	
1	K-KH	35	56	9.89	3.80	1.88	2.01/1.79	1.38	
PT	TYPE	RBC SIZE	NEMA FR	C	L	N	N-W	K	MIN. SHELL

NO.		REVISION		BY & DATE		CHK	ANG	TOLERANCES UNLESS SPECIFIED	REGAL-BELOIT CORPORATION		DRAWN GLB 02/05/75	
								DEC.	INCHES	REGAL-BELOIT CORPORATION		CHK
13		REDRAWN IN DRAFT SIGHT		UD	10/17/12	PKG	.XXX	±0.005	TITLE		SCALE 1=1	
12		CHG TO RBC FORMAT PER IS 05-1777		RK	12/15/05		.XXXX	±0.0005	MAT'L.		APPD MDP 07/10/96	
								±1.0	FINISH		REF	
									CAD FILE 52A101470		DRAWING NO. 52A101470	
									DIST		REV. 13	

THIS DRAWING IN DESIGN AND DETAIL IS OUR PROPERTY AND MUST NOT BE USED EXCEPT IN CONNECTION WITH OUR WORK ALL RIGHTS OF DESIGN AND INVENTION ARE RESERVED THIS IS AN ELECTRONICALLY GENERATED DOCUMENT - DO NOT SCALE THIS PRINT