



# PRODUCT BULLETIN

North America HVAC Systems & Service

**Date:** 3/18/2016      **Subject:** 3-27.5 Ton 48 Series Gas Design Change      **Dept:** RCS

**Number:** 111-16-04      **Product Model Number(s):** 48TC, KC, HC, LC RTU's 3-27.5 ton      **Author:** Ted Cherubin  
ted.cherubin@carrier.utc.com

## All 3-27.5 Ton 48 Series Gas Design Changes

To help comply with new safety standards and improve upon gas heat combustion air flow sensing in our Weather Series (48) Gas Heat models, we are announcing some great modifications on all 3 to 27.5 ton rooftops starting with production on April 4, 2016.

Please see the below information and the attached 'Technical Supplement' for more details:

Product Improvement	Current Design	New Design
Proof of combustion air	Hall effect sensor (sensor at end of the inducer motor)	Pressure Switch
Integrated Gas Controller (IGC)	Designed for Hall Effect sensor	Designed for pressure switch plus meets new UL standard
Ignition wire connection to the IGC board	Stick pin design	¼" spade connection
IGC Part Number (not interchangeable)	LH33WP002 (460/575) LH33WP003 (208/230)	LH33EP001 (All voltages)

### OTHER IMPORTANT NOTES:

- There are NO performance or electrical rating changes
- There are NO warranty or price changes
- There are NO change in sequence of operation (just how combustion air is sensed)
- Production will start April 4, 2016 (serial number 1516)\*
- Each gas heat unit mentioned here will have a special installation packet insert to draw attention to this change. Catalog Number is: IGC-TS-01SI
- Although there is little mention of the 'Hall Effect' design in our support material today, we will be updating to include this change. We also will be updating our Bynum Training manuals. Watch for separate notice.
- Designs between current and new are not interchangeable or backward compatible.

\*Models below were produced as our pre-production run and also include the changes mentioned above:

Model Number	Serial Number
48TCDA04A2A5-0A0A0	4015C51337
48TCEA04A2A6-0A0A0	4015C51338
48TCDA07A2A6-0A0A0	4015C84415
48TCEA07A1A5-0A0A0	4015C84416
48TCDA05A2A6-0A0A0	4015C51568
48TCEA05A2A5-0A0A0	4015C51569
48TCEA06A2A5-0A0A0	4015C51570
48TCDA06A2A6-0A0A0	4015C51571
48TCFA07A2M1-0B0A0	4015C87848
48TCFA06A2M1-0B0A0	4015C87849

**MODEL NOMENCLATURE**

1	2	3	4	5	6	7	8	9	10	11	12	13	14	15	16	17	18
4	8	T	C	D	A	0	4	A	1	A	5	-	0	A	0	A	0

**Unit Heat Type**  
48 - Gas Heat  
Packaged  
Rooftop

**Series/Model**  
TC - Standard Efficiency

**Heat Size**  
D - Low heat  
E - Medium Heat  
F - High Heat  
L - Low NO<sub>x</sub>, Low Heat  
M - Low NO<sub>x</sub>, Medium Heat  
N - Low NO<sub>x</sub>, High Heat  
S - Stainless Steel, Low Heat  
R - Stainless Steel, Medium Heat  
T - Stainless Steel, High Heat

**Refrig. Systems Options**  
A - Standard One Stage Cooling Models  
B - Standard One Stage Cooling Models with Humidi-MiZer (Re-Heat) (04-07 Models only)  
D - Two Stage Cooling Models 08-16  
E - Two Stage Cooling Models 08-16 with Al/Cu condenser Coils and with Humidi-MiZer (Re-Heat)

**Cooling Tons**  
04 - 3 ton      08 - 7.5 ton      16 - 15 Tons  
05 - 4 ton      09 - 8.5 ton  
06 - 5 ton      12 - 10 ton  
07 - 6 ton      14 - 12.5 ton

**Sensor Options**  
A = None  
B = RA Smoke Detector  
C = SA Smoke Detector  
D = RA + SA Smoke Detector  
E = CO2 Sensor  
F = RA Smoke Detector and CO2 Sensor  
G = SA Smoke Detector and CO2 Sensor  
H = RA + SA Smoke Detector and CO2 Sensor

**Indoor Fan Options**  
1 = Standard Static Option  
2 = Medium Static Option  
3 = High Static Option  
C = High Static Option w/ High Effy Motor (Size 16 Only)

**Note: On single phase (-3 voltage code) models, the following are not available as a factory installed option:**  
- Humidi-Mizer  
- Coated Coils or Cu Fin Coils  
- Louvered Hail Guards  
- Economizer or 2 Position Damper  
- Powered 115 Volt Convenience Outlet

**Packaging and Seismic Compliant**  
0 = Standard  
1 = LTL  
3 = CA Seismic Compliant  
4 = LTL and CA Seismic Compliant Label

**Electrical Options**  
A = None  
C = Non-Fused Disconnect  
D = Thru-The-Base Connections  
F = Non-Fused Disconnect and Thru-The-Base Connections  
G = 2-Speed Indoor Fan (VFD) Controller  
J = 2 Speed Fan Controller (VFD) and Non-Fused Disconnect  
K = 2 Speed Fan Controller (VFD) and Thru-The-Base Connections  
M = 2 Speed Fan Controller (VFD) with Non-Fused Disconnect and Thru-The Base Connections

**Service Options**  
0 = None  
1 = Unpowered Convenience Outlet  
2 = Powered Convenience Outlet  
3 = Hinged Panels  
4 = Hinged Panels, Unpowered Convenience Outlet  
5 = Hinged Panels, Powered Convenience Outlet

**Intake / Exhaust Options**  
A = None  
B = Temperature Economizer w/ Barometric Relief  
F = Enthalpy Economizer w/ Barometric Relief  
K = 2-Position Damper  
U = Temp Ultra Low Leak Economizer w/Baro Relief  
W = Enthalpy Ultra Low Leak Econo w/Baro Relief

**Base unit controls**  
0 = Electromechanical Controller  
1 = PremierLink Controller  
2 = RTU Open Multi-Protocol Controller  
6 = Electromechanical with 2 speed fan and W7220 econo controller  
3, 4, 5, K, H, J, S, T, W, X = National Account Units Contact Customer Service.  
See the following page for a summary

**Design Revision**  
Factory Assigned

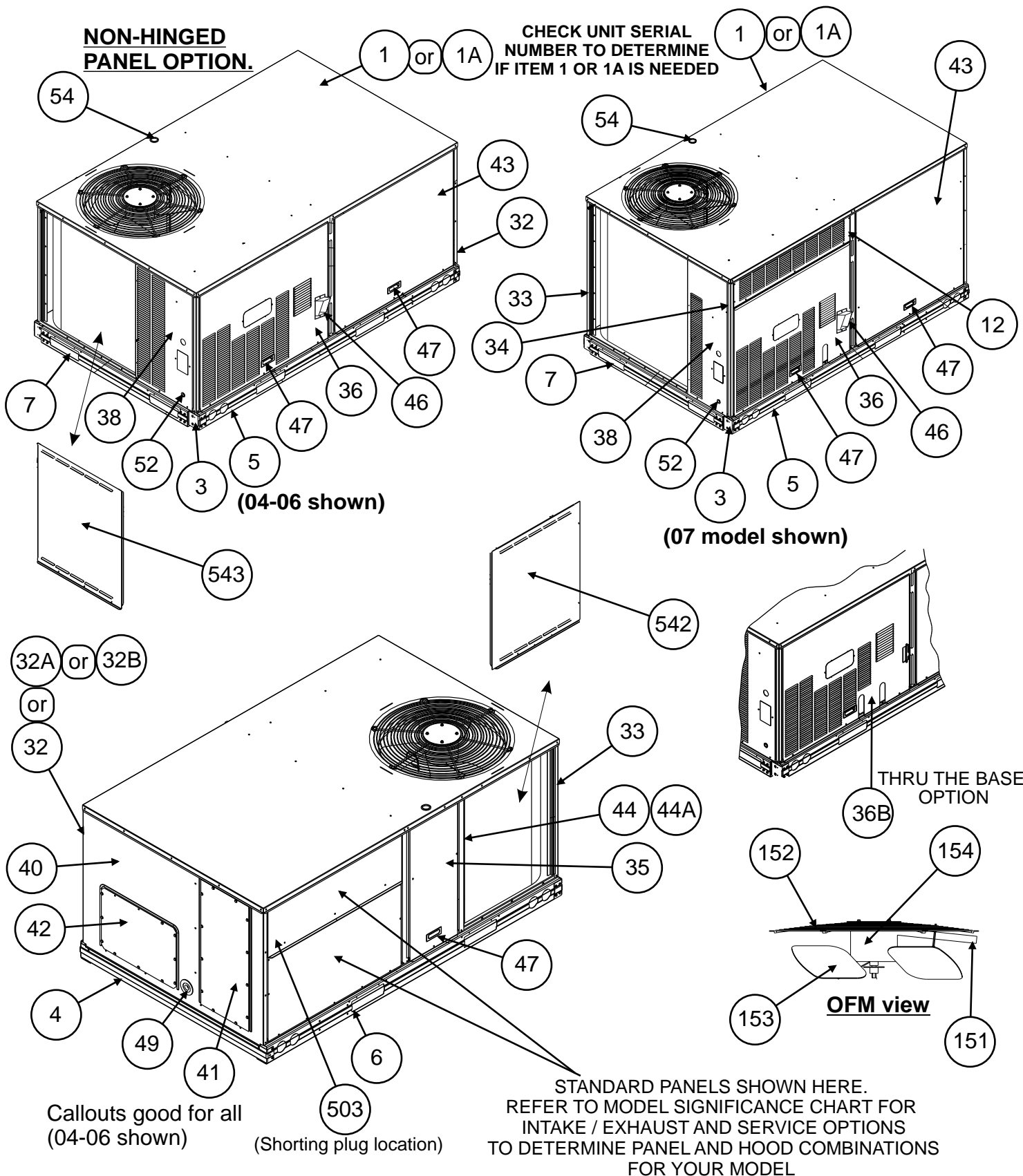
**Voltage**  
1 = 575/3/60      5 = 208-230/3/60  
3 = 208-230/1/60      6 = 460/3/60

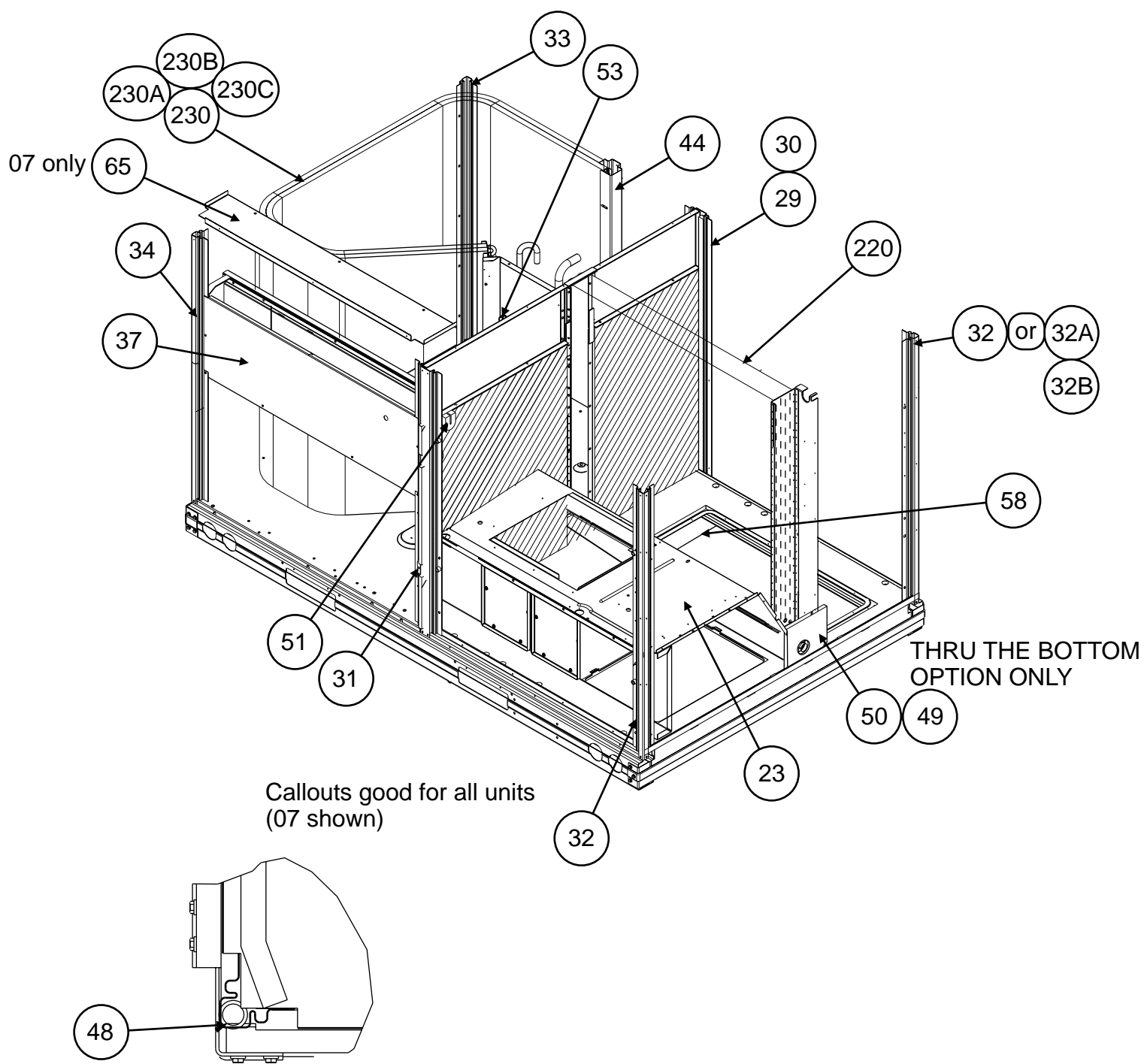
**Coil Options For Round Tube/Plate Fin Condenser Coil Models Only (outdoor-indoor-hailguard)**  
A = Al/Cu - Al/Cu  
B = Precoat Al/Cu - Al/Cu  
C = E-coat Al/Cu - Al/Cu  
D = E-coat Al/Cu - E-coat Al/Cu  
E = Cu/Cu - Al/Cu  
F = Cu/Cu - Cu/Cu  
M = Al/Cu - Al/Cu - Louvered Hail Guards  
N = Precoat Al/Cu - Al/Cu - Louvered Hail Guards  
P = E-coat Al/Cu - Al/Cu - Louvered Hail Guards  
Q = E-coat Al/Cu - E-coat Al/Cu - Louvered Hail Guards  
R = Cu/Cu - Al/Cu - Louvered Hail Guards  
S = Cu/Cu - Cu/Cu - Louvered Hail Guards

**Coil Options For All Aluminum - Novation Condenser Coil Models Only (outdoor-indoor-hailguard)**  
G = Al/Al - Al/Cu  
H = Al/Al - Cu/Cu  
J = Al/Al - E-coat Al/Cu  
K = E-coat Al/Al - Al/Cu  
L = E-coat Al/Al - E-coat Al/Cu  
T = Al/Al - Al/Cu, Louvered Hail Guards  
U = Al/Al - Cu/Cu, Louvered Hail Guards  
V = Al/Al - E-coat Al/Cu, Louvered Hail Guards  
W = E-coat Al/Al - Al/Cu, Louvered Hail Guards  
X = E-coat Al/Al - Al/Cu, Louvered Hail Guards

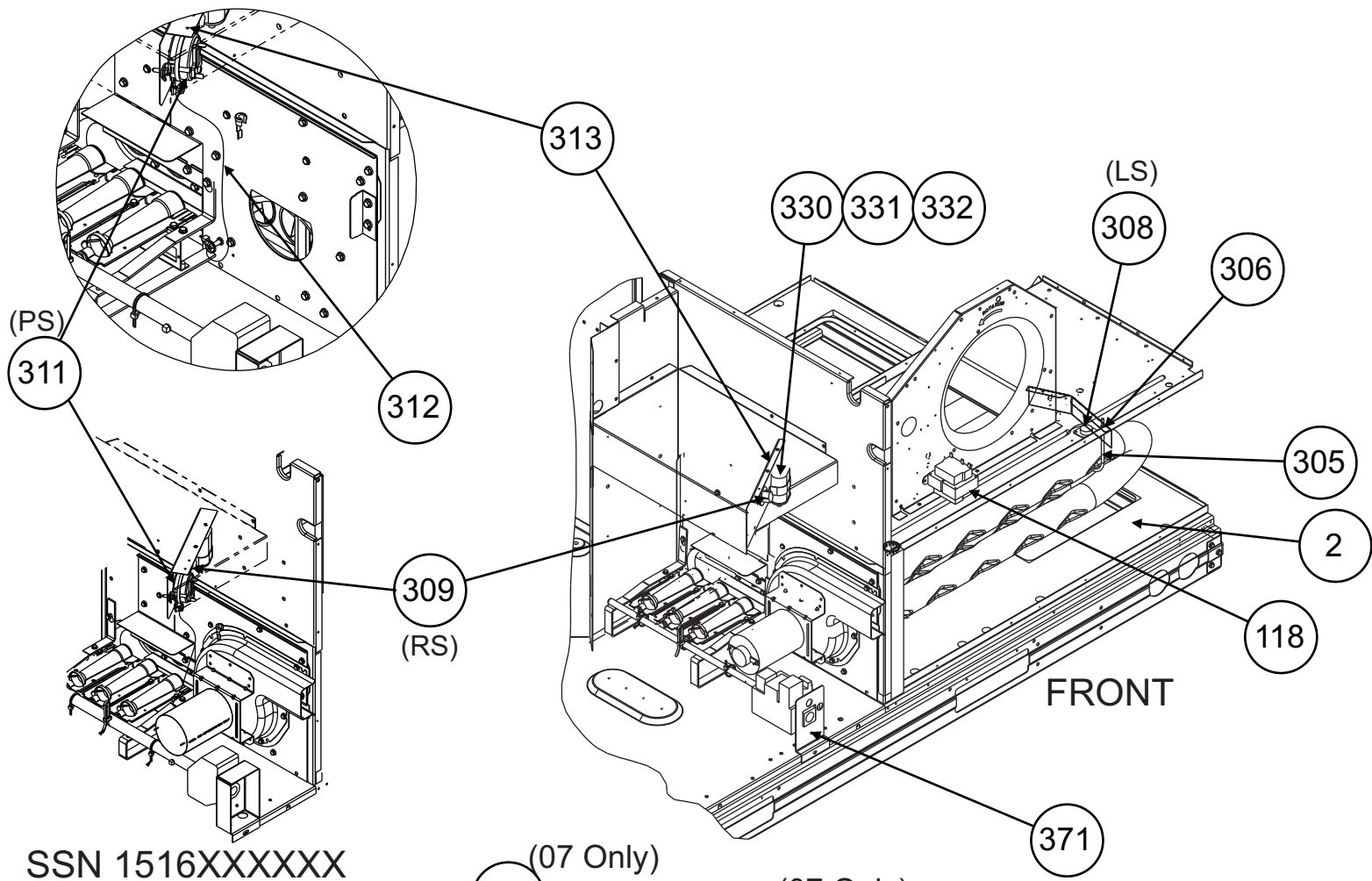
Position 14 - Unit Controls National Account Unit Summary			
3		Bank of America - SE1604a controller	
4		FUTURE USE	
5		FUTURE USE	
K		Ice Energy	
H		HEB	AC Only
J		HEB	AC Only
S		FUTURE USE	
W		FUTURE USE	
X		PETCO/RTU-Open	
T		TARGET (ALC 6126 FLEX) (must use Economizer 2)	
		R/A, M/A, SA Sensors	
		Suction Transducer	
		Liquid Transducer (after drier)	
		RTU Label (1-33)	
		Filter Label - (size & qty)	
		Extra rating plate inside of unit	
		Shipped loose gas regulator - gas units only	
		Shipped loose P-Trap	
		MERV 8 Filters	
		Double wall Filter-blower doors where available via 16th digit	

48387013

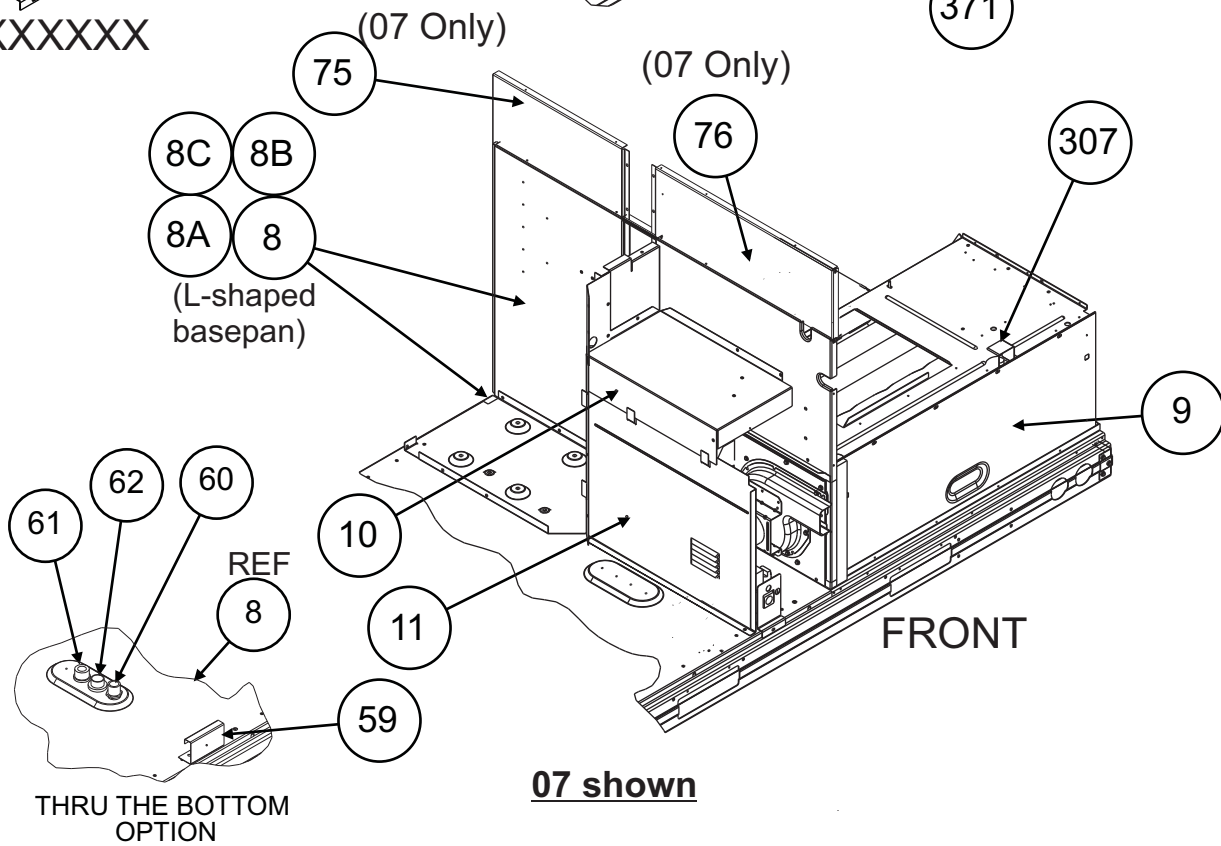




SSN 1516XXXXXX

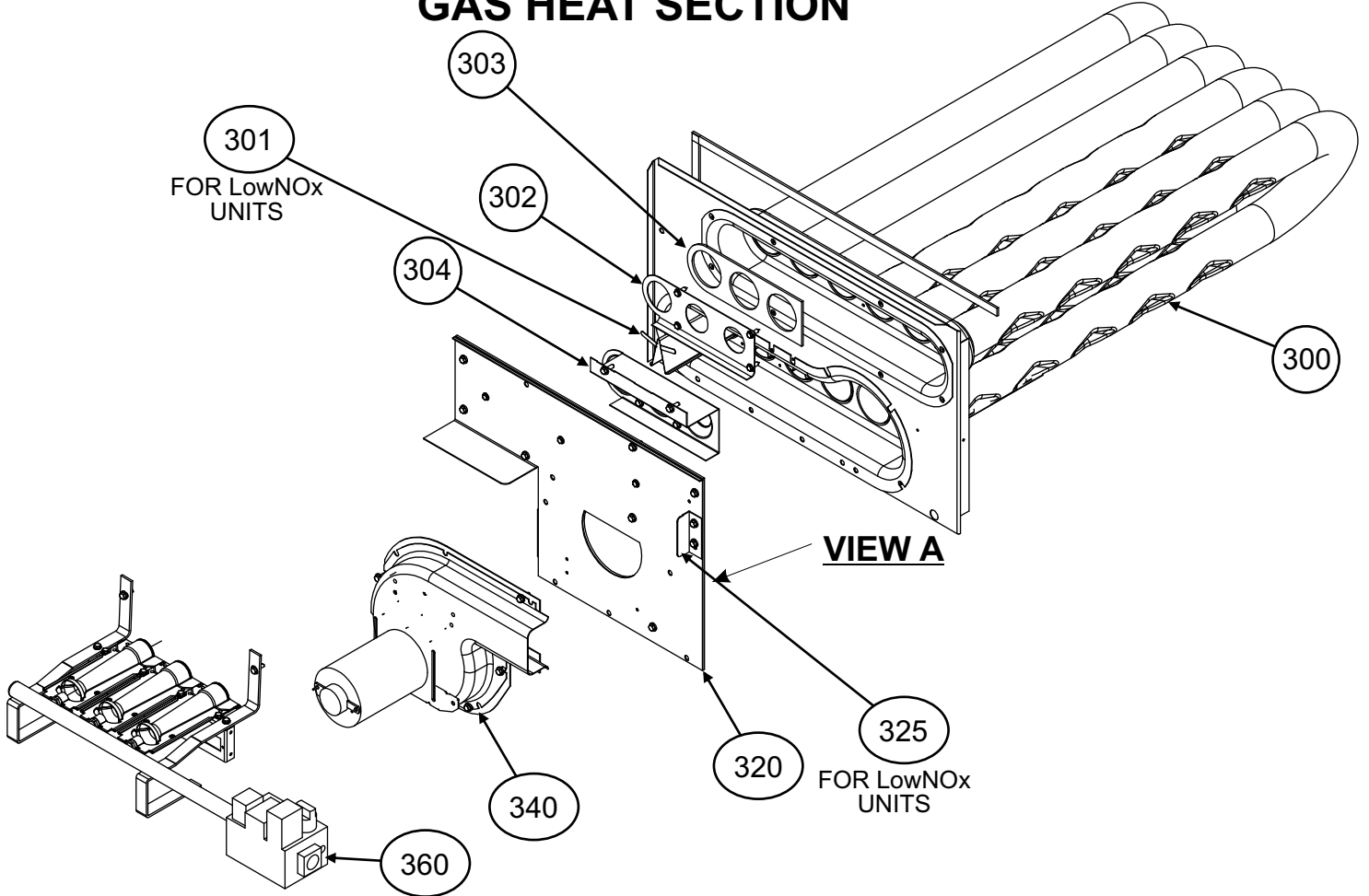


SSN 1516XXXXXX

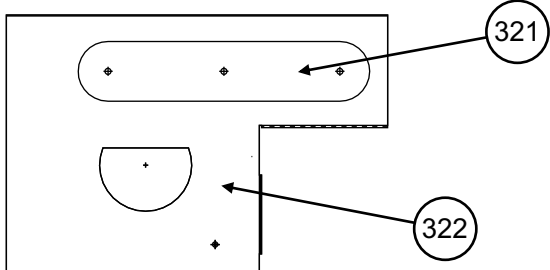




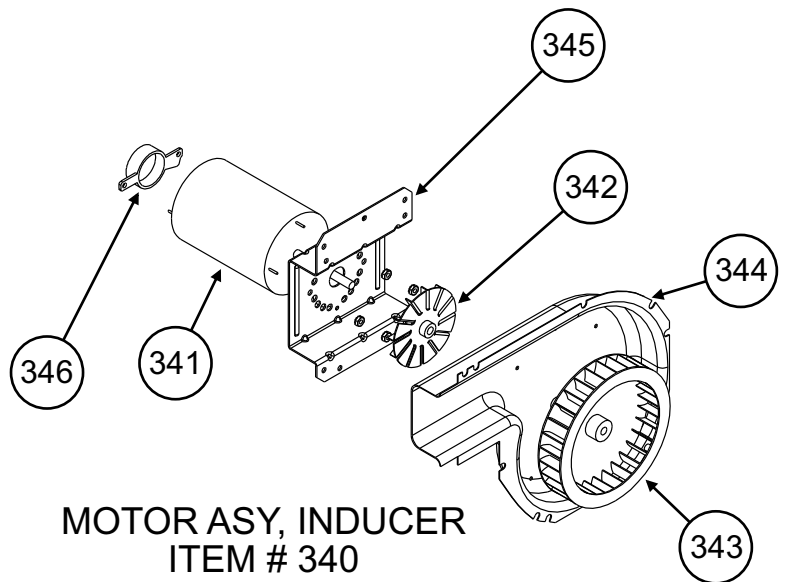
# GAS HEAT SECTION



OPPOSITE SIDE VIEW OF SUPPORT ASSEMBLY ITEM #320 FACING HEAT EXCHANGER

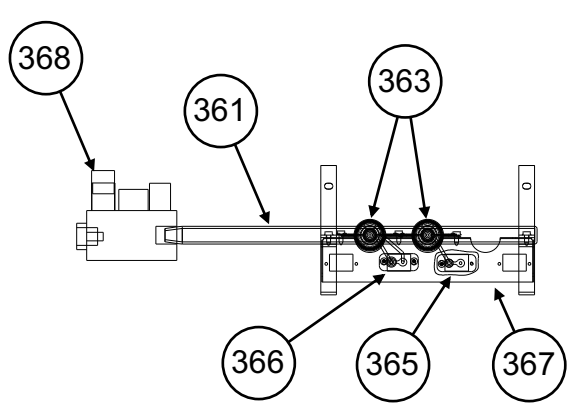


**VIEW A**

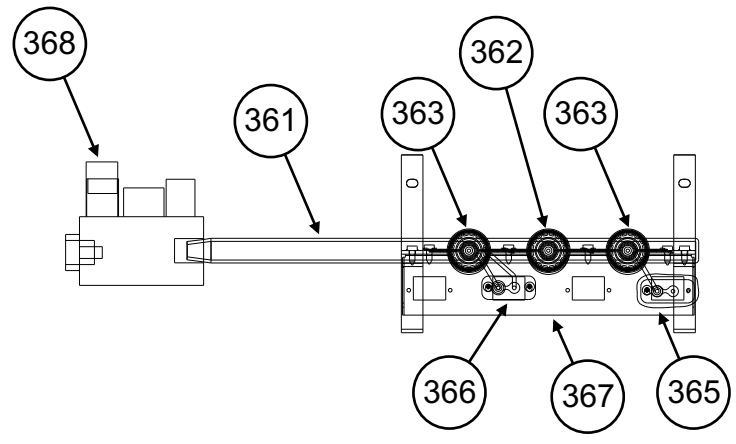


MOTOR ASY, INDUCER  
ITEM # 340

# GAS HEAT SECTION



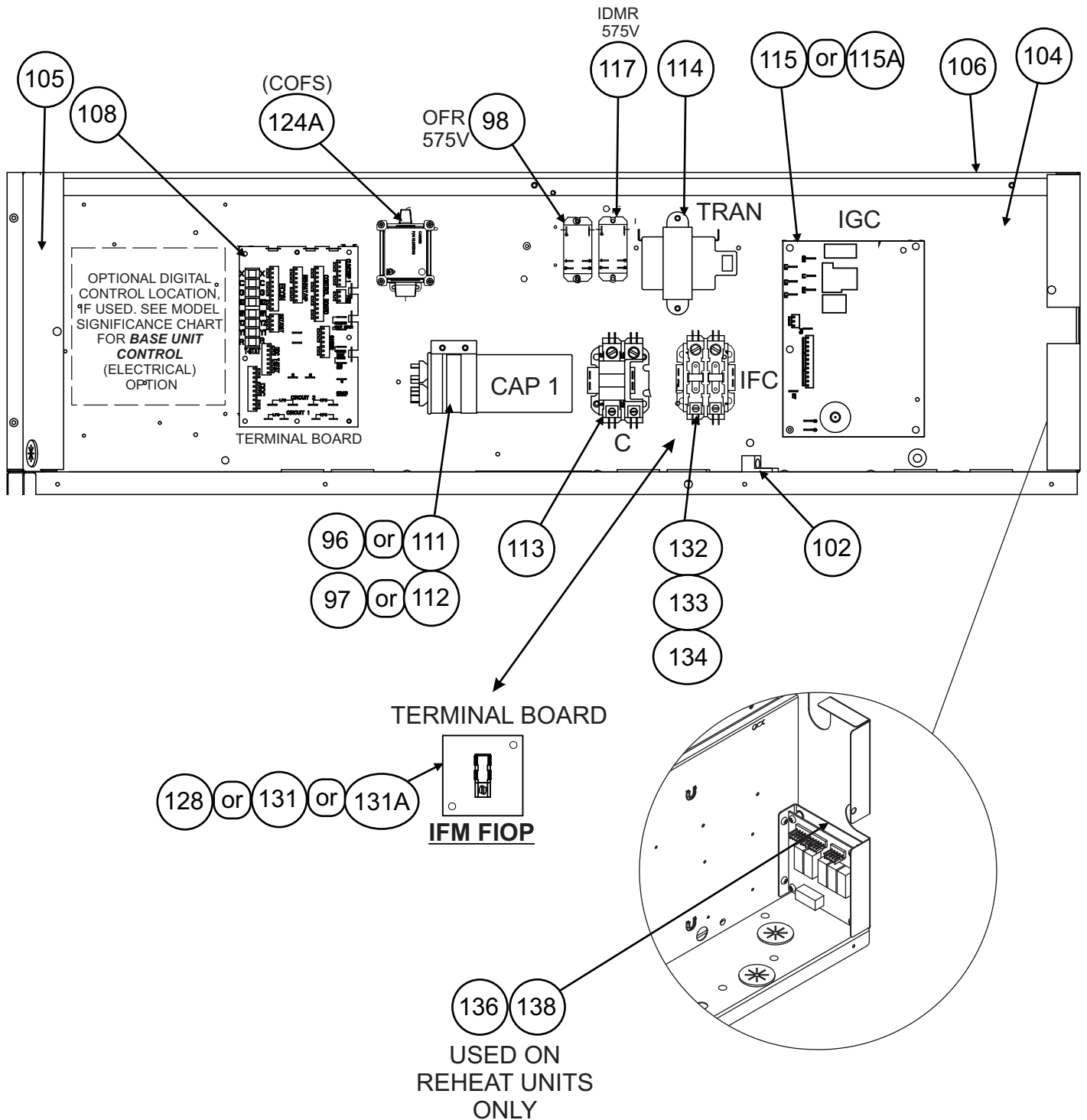
**BURNER ASY, LOW HEAT**

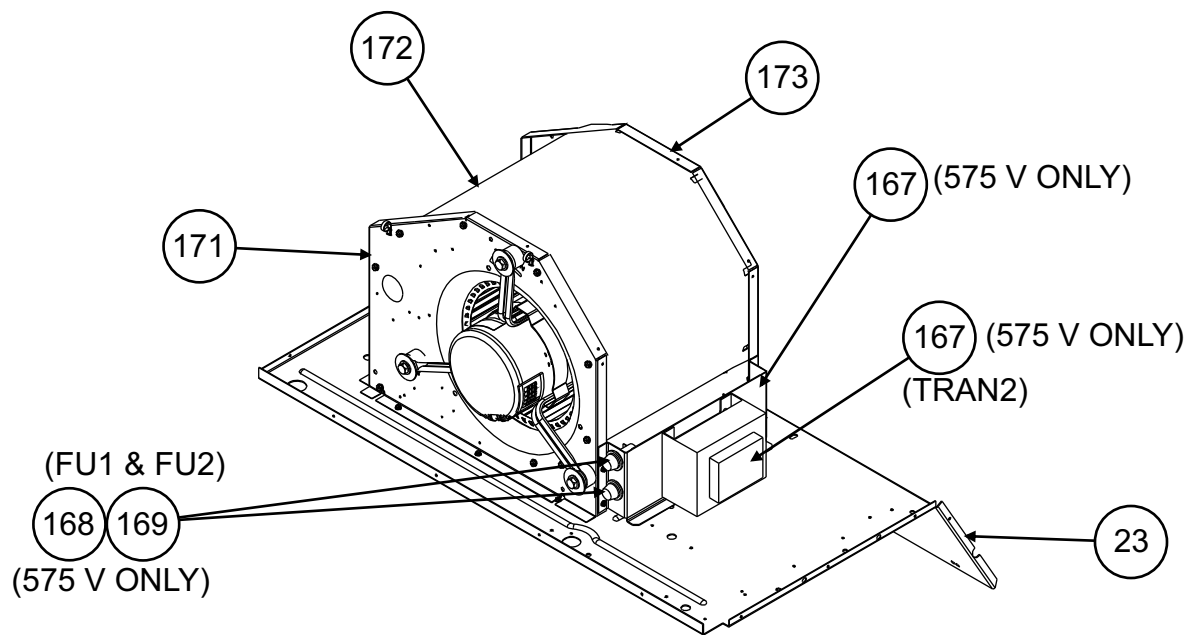


**BURNER ASY, MEDIUM HEAT**  
**BURNER ASY, HIGH HEAT**

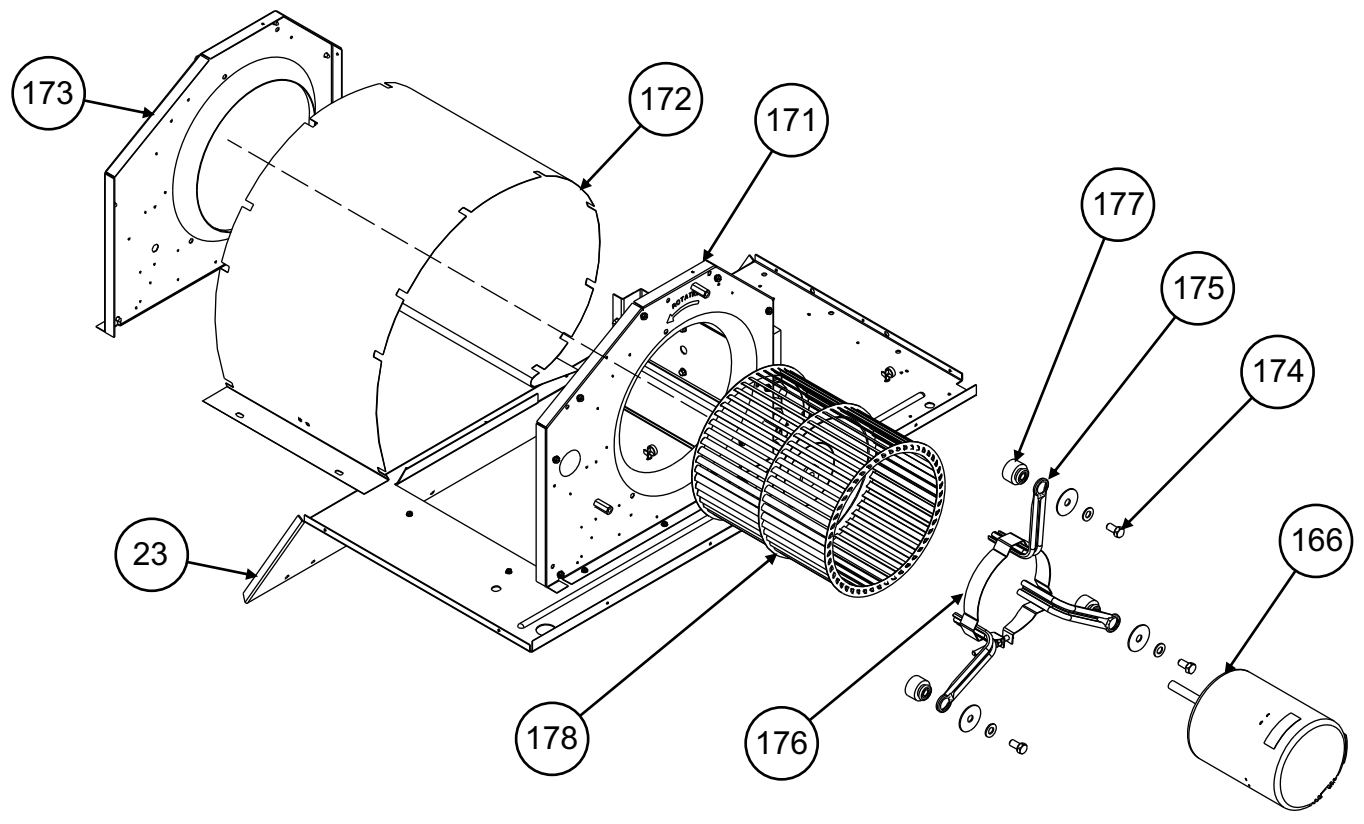


### CONTROL BOX ASY

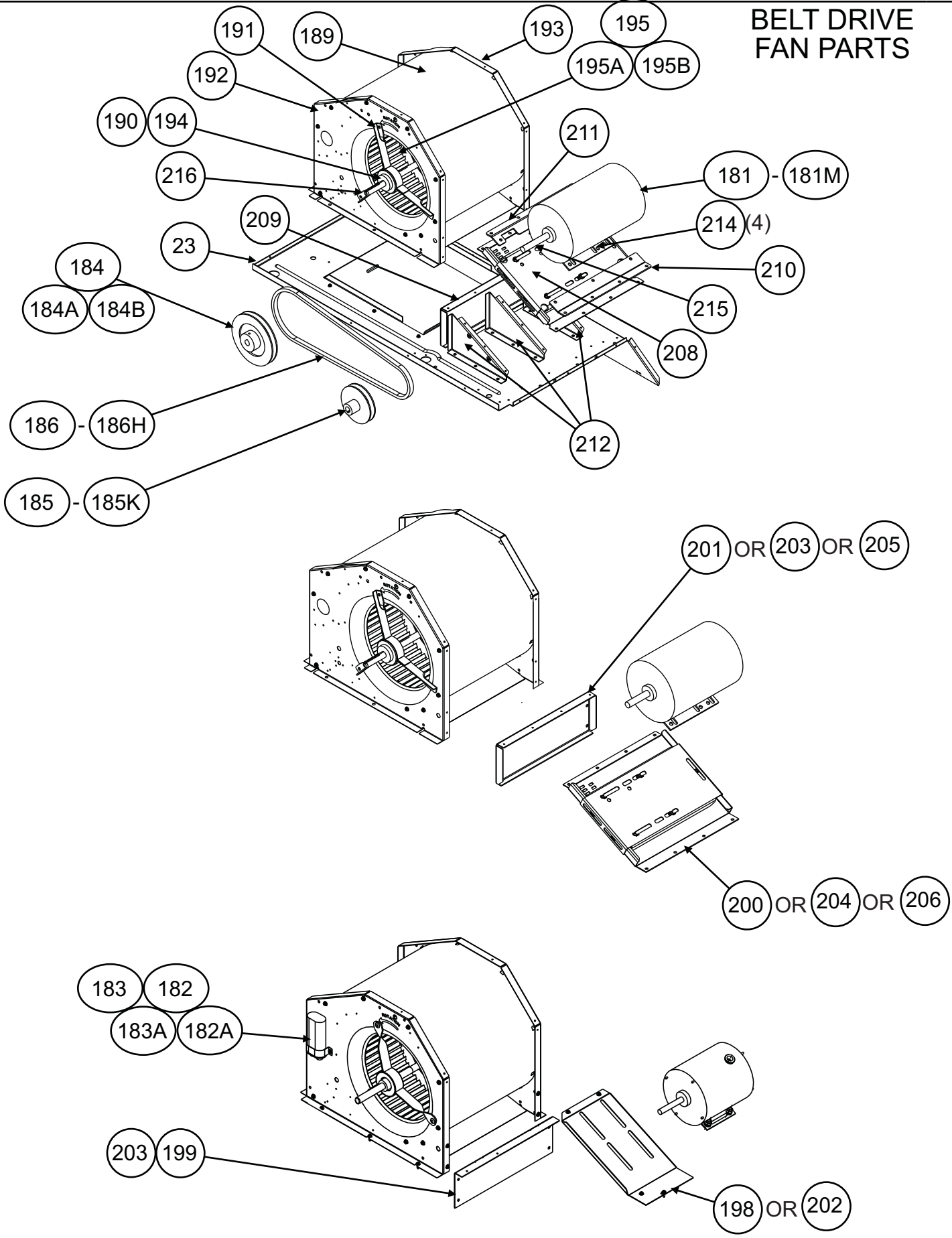




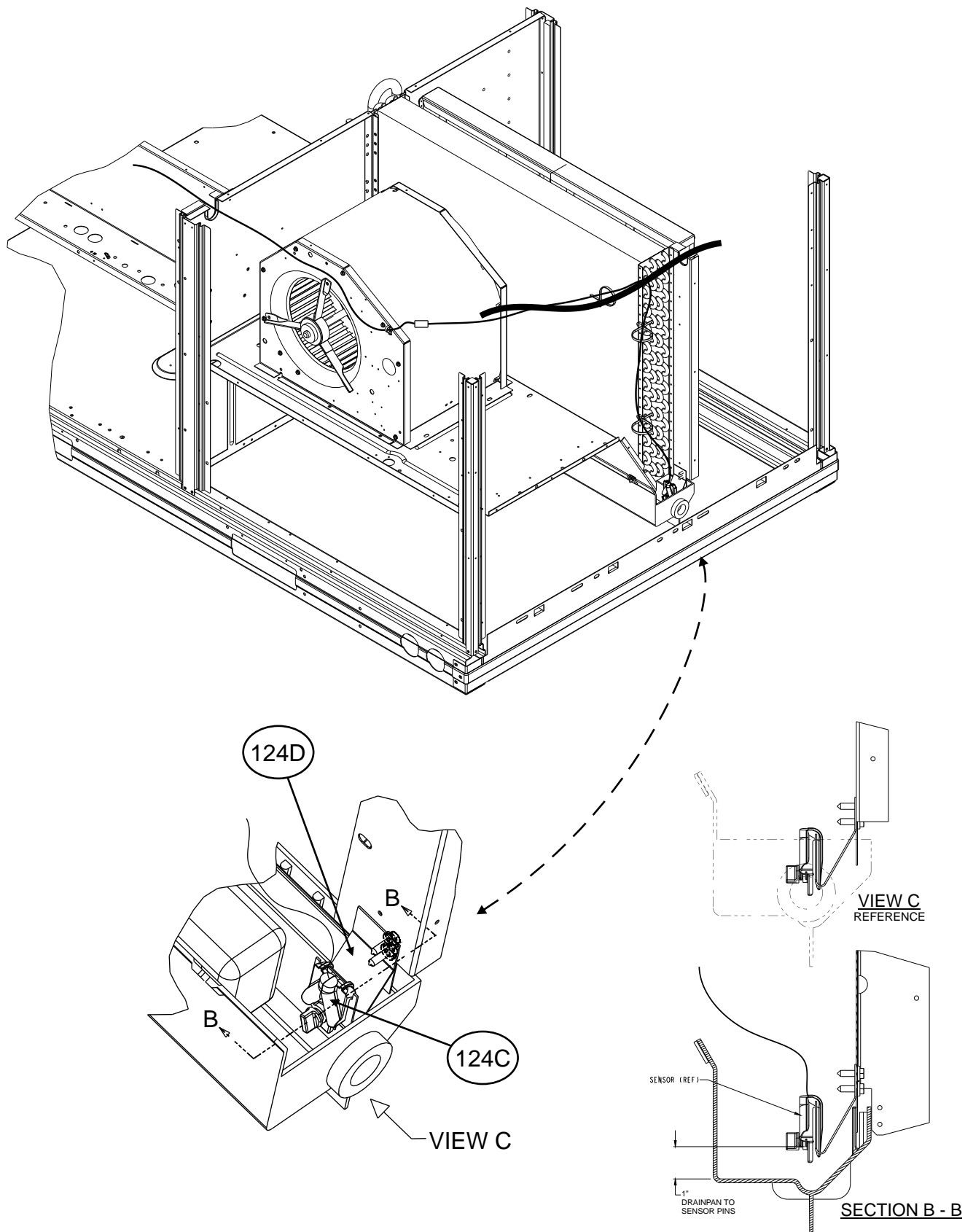
**( DIRECT DRIVE FAN PARTS )**



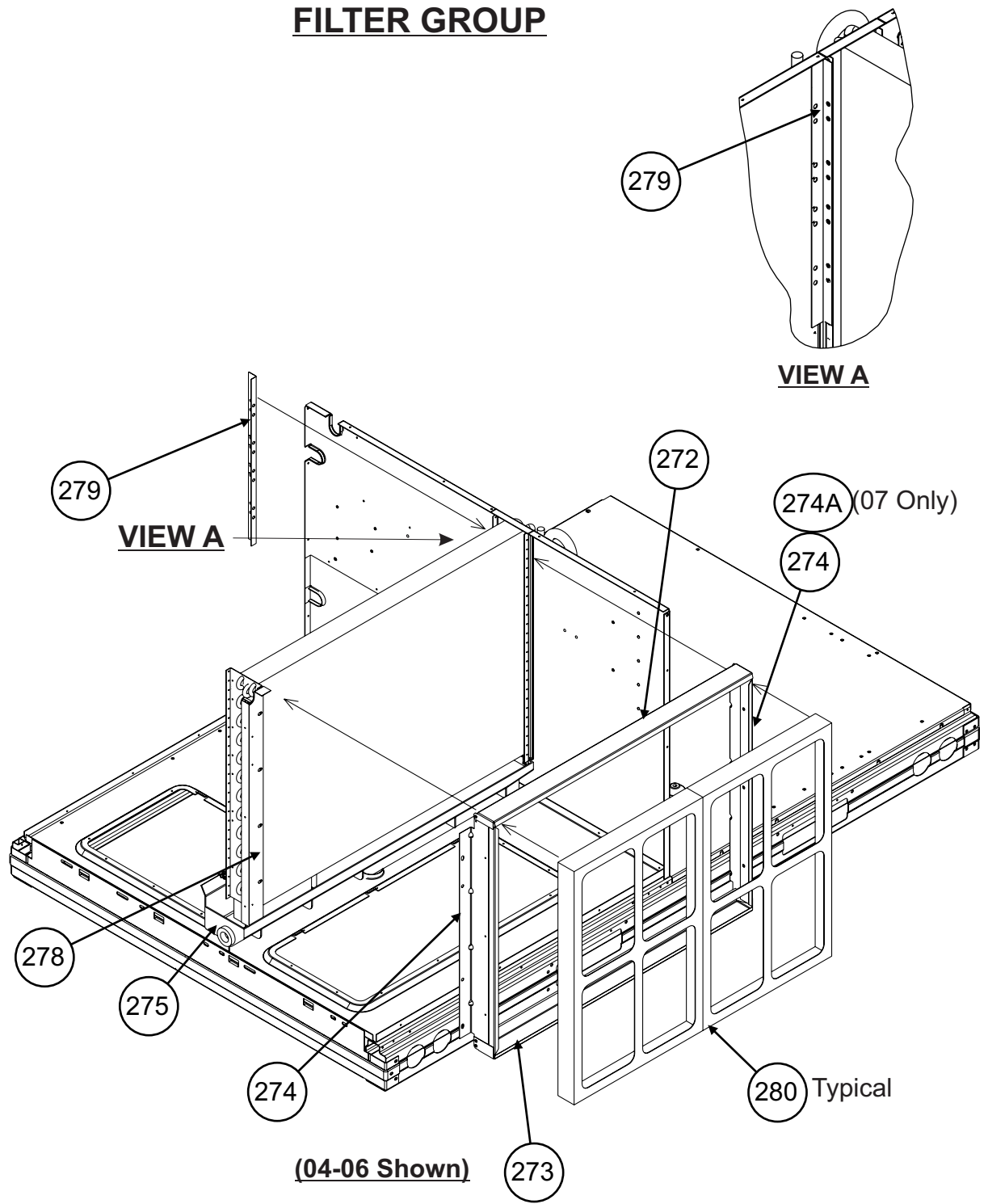
# BELT DRIVE FAN PARTS



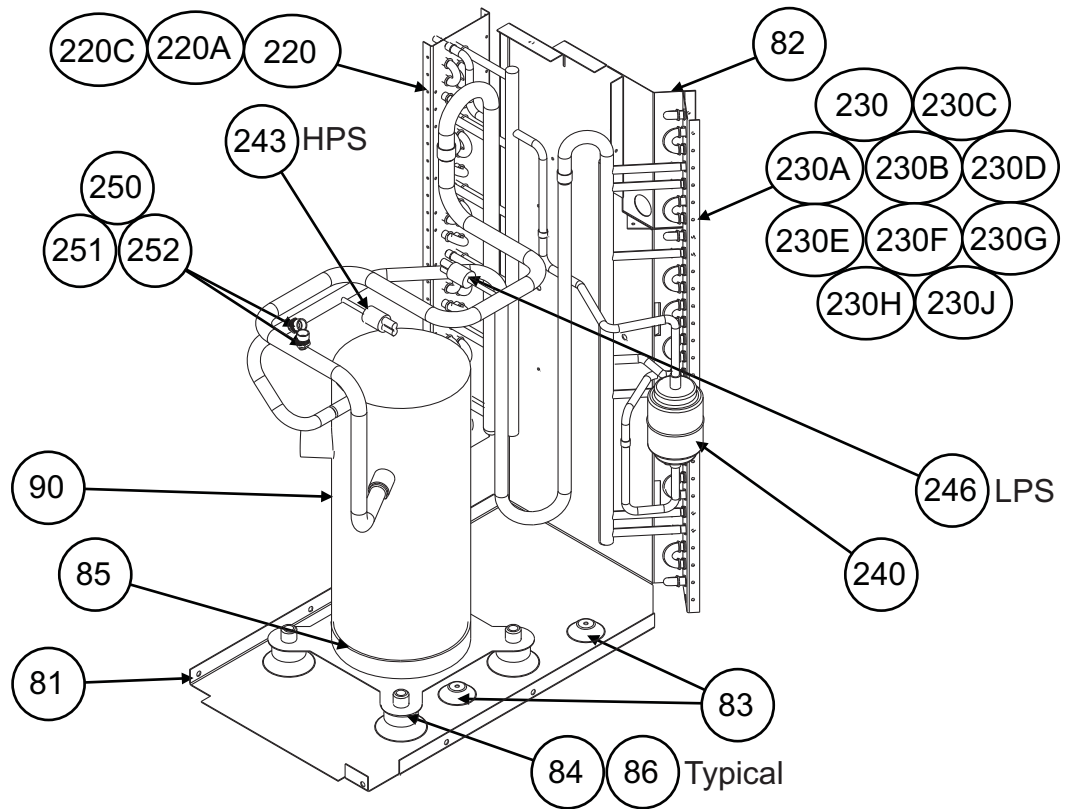
### CONDENSATE OVERFLOW OPTION



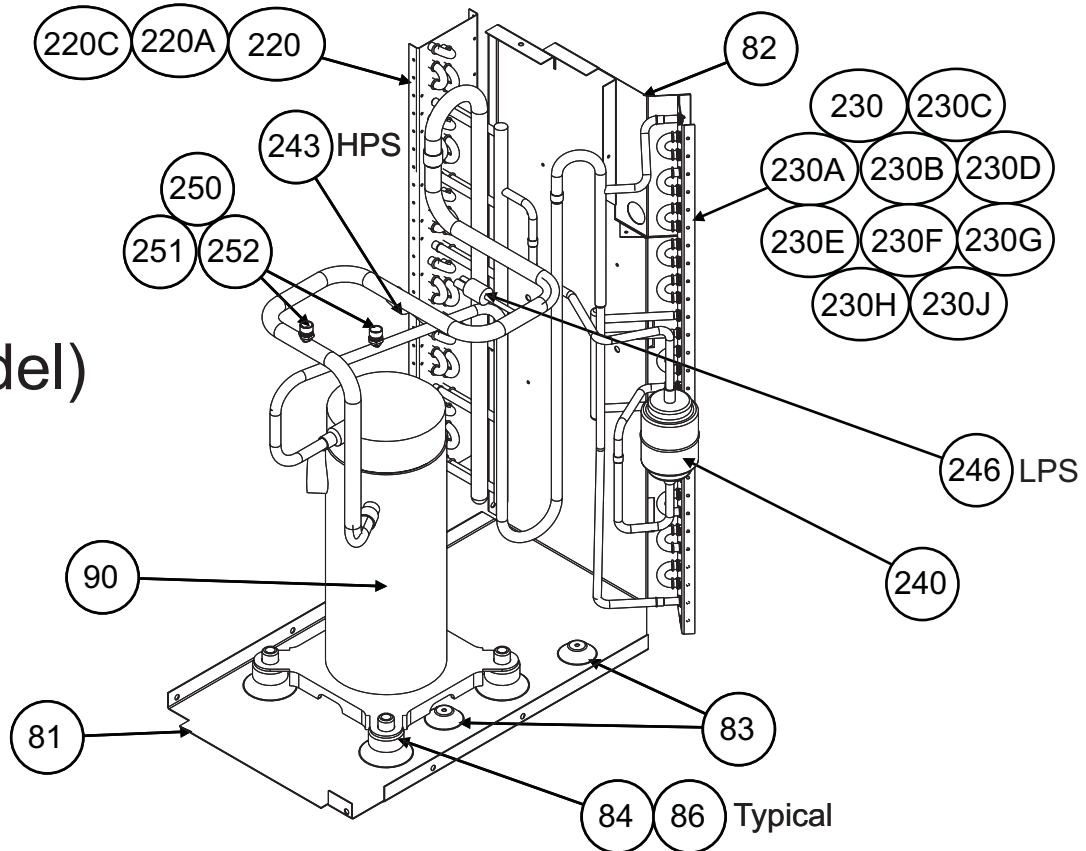
# FILTER GROUP



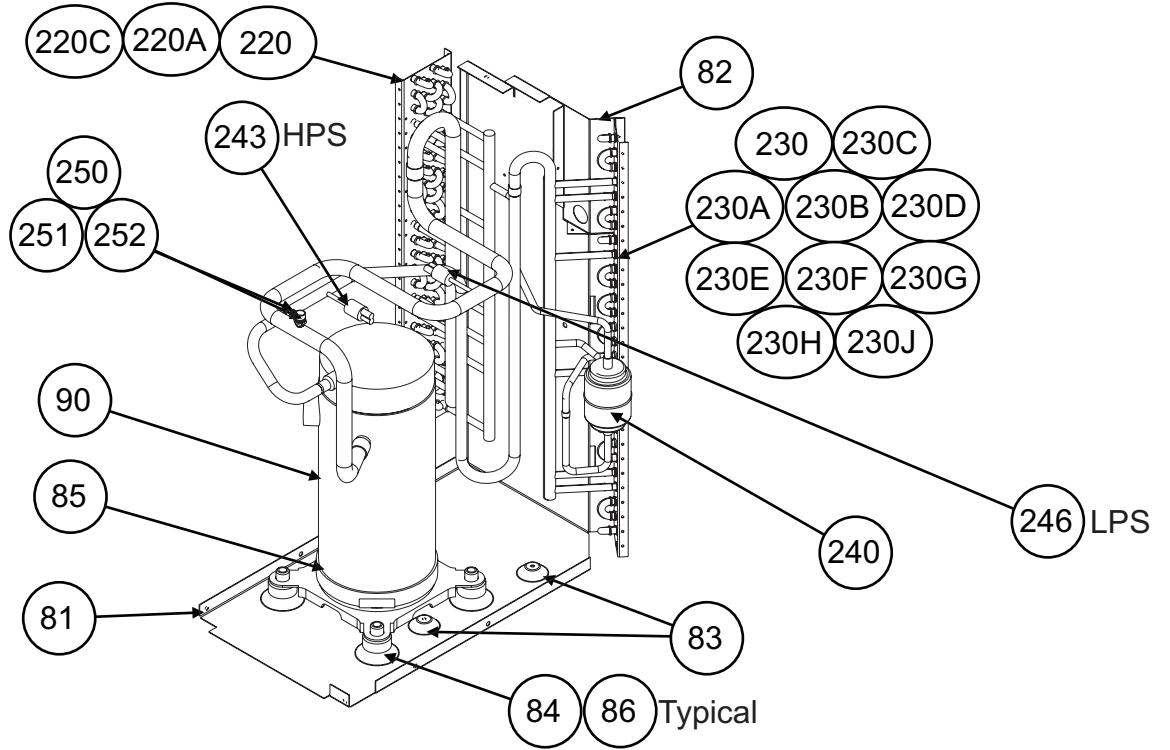
(05 Model)



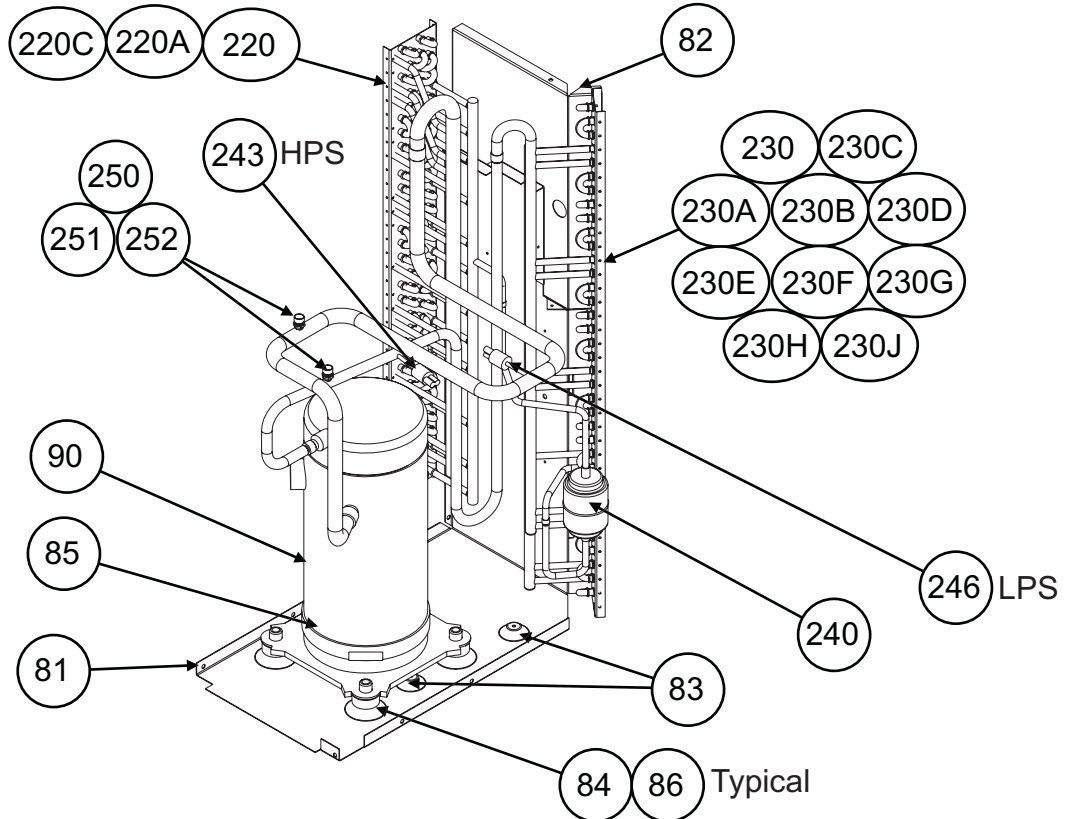
(04 Model)



(06 Model)



(07 Model)







Model 48TCDA06...3A...

Description SINGLE PACKAGE ROOFTOP GAS HEATING ELECTRIC COOLING UNIT, 208/230-1-60

Itm#	Qty	Rec	Part Number	Description
1	1	-	48TM401085	COVER ASY, TOP (SEE UNIT SERIAL # & NOTE): Used on units with a "G" in the 5th position of serial number.
1A	1	-	48TC400336	COVER ASY, TOP (SEE UNIT SERIAL # & NOTE): Used on units with a "C" in the 5th position of serial number.
2	1	-	50DK401491	BASE PAN ASY, INDOOR
3	2	-	50DK502805	BRACKET, BASERAIL (CORNER) PSN 3013CXXXXX
4	1	-	50DK502824	GUARD, BASERAIL (INDOOR END) PSN 3013CXXXXX
4A	1	-	48TC500004	GUARD, BASERAIL (INDOOR END) SSN 3013CXXXXX
5	1	-	50DK503366	RAIL, BASE (INDOOR FAN ACCESS) PSN 3013C
5A	1	-	48TC500003	RAIL, BASE (INDOOR FAN ACCESS) SSN 3013C
6	1	-	50DK503367	RAIL, BASE (FILTER ACCESS) PSN 3013CXXXXX
6A	1	-	48TC500002	RAIL, BASE (FILTER ACCESS) SSN 3013CXXXXX
7	1	-	50DK503368	RAIL, BASE (OUTDOOR END) PSN 3013CXXXXX
7A	1	-	48TC500001	RAIL, BASE (OUTDOOR END) SSN 3013CXXXXX
8	1	-	50DK401493	BASE PAN ASY, OUTDOOR
8A	1	-	50HJ441827B	BASE PAN ASY (O.D.) THRU THE BASE OPTION
9	1	-	48TM400481	COVER ASY (GAS HEAT)
10	1	-	48TM500166	PARTITION, GAS
11	1	-	48TM500210	PANEL, ACCESS
13	1	-	SEE .ITEM. 57	PANEL, ACCESS (CONTROL BOX) (HINGED) UPPER
23	1	-	50DK500065	DECK, FAN
26	1	-	SEE .ITEM. 57	BRACKET (COMPR PNL) HINGED OPTION
27	1	-	SEE .ITEM. 57	BRACKET (CNTRL PNL) HINGED OPTION
28	1	-	SEE .ITEM. 57	BRACKET (FLTR PNL) HINGED OPTION
29	1	-	48TM400222	POST, CENTER (FILTER ACCESS SIDE)
30	1	-	KA56ZZ150	> GROMMET
31	1	-	48TM500240	POST, CENTER (CONTROL BOX SIDE)
32	2	-	50DK400327	POST, CORNER (INDOOR END)
33	1	-	50DK500010	POST, CORNER (COIL)
34	1	-	48TM500176	POST, CORNER (CONTROL BOX)
35	1	-	48TM500346	PANEL, ACCESS (COMPRESSOR)
35A	1	-	SEE .ITEM. 57	PANEL, ACCESS (COMPRESSOR) HINGED OPTION
36	1	-	48TM500283	PANEL, ACCESS (CONTROL BOX) (STD)
36A	1	-	SEE .ITEM. 57	PANEL, ACCESS (CONTROL BOX) (HINGED) LOWER
36B	1	-	48TM500736	PANEL, ACCESS (CNTRL BOX) THRU BASE OPTION
36C	1	-	SEE .ITEM. 57	PANEL, ACCESS (CNTRL BOX) THRU BASE (HINGED)
37	1	-	48TM500930	PANEL ASY (COVER, CONTROL) INNER
38	1	-	48TM500450	PANEL, OUTDOOR END
39	1	-	50HJ441241	PANEL ASY (INDOOR END)
39A	1	-	SEE .ITEM. 57	PANEL ASY (INDOOR END) HINGED OPTION
40	1	-	50DK400165	> PANEL ASY (INDOOR END)
40A	1	-	SEE .ITEM. 57	> PANEL ASY (INDOOR END) HINGED OPTION
41	1	-	50DK400202	> COVER ASY, RETURN AIR
42	1	-	50DK400204	> COVER ASY, SUPPLY
42A	1	-	50HJ402277	> PANEL ASY (BLOWER ACCESS) HINGED OPTION
43	1	-	48TM400744	PANEL ASY, INDOOR BLOWER ACCESS
44	1	-	48TM400612	PANEL, COIL
44A	1	-	KA56ZZ150	> GROMMET
44B	1	-	SEE .ITEM. 57	PANEL, COIL (HINGED OPTION)
45	1	-	SEE .ITEM. #275	PAN, CONDENSATE
46	1	-	48HJ660001	WIND CAP ASY
47	3	-	329799-401	HANDLE, SNAP-IN (PLASTIC)
48	1	-	48TM500393	CONDUIT
49	1	-	50DK500235	SEAL, DRAIN LINE (ROUND)
50	1	-	50DK504268	SEAL, DRAIN LINE (SQUARE)
51	2	-	KA56DS001	GROMMET, WIRE (PARTITION)
52	1	-	HY93NH063	BUSHING, SNAP

Itm#	Qty	Rec	Part Number	Description
53	1	-	HY93NH081	BUSHING,SNAP
54	1	-	KA51PC138	PLUG BUTTON
55	1	-	KA51AD468	PLUG BUTTON
56	1	-	48TM501008	SEAL
57	1	-	HINGED:48TM401091 .....	HINGED PANEL OPTION (REF)
58	1	-	50HJ541504	PROTECTOR(THRU THE BASE OPT ONLY)
59	1	-	50HJ540100	BRACKET(THRU THE BASE OPT ONLY)
60	1	-	DK06DA118	ADAPTER(THRU THE BASE OPT ONLY)
61	1	-	LF48ZZ050	FITTING(THRU THE BASE OPT ONLY)
62	1	-	LF48ZZ075	COUPLING(THRU THE BASE OPT ONLY)
66	1	-	48TM501031	LOGO
70	1	-	313974-751	PAINT (16-OZ CAN) (STERLING GRAY)
80	1	-	48TM400623	COMPRESSOR ASY(REF)
81	1	-	50DK409582	> PLATE ASY,COMPR. MOUNTING
82	1	-	50HJ501193	> PLATE,BLOCKOFF
83	2	-	50HJ541513	> GASKET
84	4	-	AH01AM210	> BOLT,HEX HEAD
85	1	-	HT32CH231	> HEATER,CRANKCASE(CCH)
86	4	-	KA56TR057	> GROMMET
90	1	C	P021-5324P	> COMPRESSOR(COMP)
100	1	-	48TMCSRSY-1320	CONTROL BOX ASY(REF)
101	1	C	HY06ZZ005	> PLUG ASY(COMPRESSOR)
102	1	-	HY90AZ009	> GROUND LUG
103	1	-	48TMCSRSA-1A00	> COMMON PARTS(REF)
104	1	-	48TM500043	> > PLATE,WIRING
105	1	-	48TM500464	> > BLOCKOFF
106	1	-	48TM500466	> > CONTROL BOX
107	1	-	48TMHSRSE--A00	> > HARNESS ASY(PL6)(ECONOMIZER)
107A	1	-	HY07MP050	> > > CONNECTOR(12 PIN RECEPTACLE)
108	1	-	HK50AA049	> > TERMINAL BOARD(CENTRAL)(CTB)
110	1	-	48TMHSRAY--A00	> HARNESS ASY(J2)(YAC CTRL)PSN 1516XXXXX: HARNESS W/12 pin plugs to IGC & CONTL BD also wires MG,RS,LS,TRAN,IFC
110A	1	-	48TMHSRAY--A12	> HARNESS ASY(YAC CTRL)SSN 1516XXXXX: HARNESS W/12 PIN PLUG TO CTB also P1(8 PIN TO IGC), P2(6 PIN TO IGC), RS,MG,PS,TRAN,LS,IFM OVL
111	1	C	P291-8053RS	> CAPACITOR(CAP1)
112	1	-	317739-303	> STRAP,CAPACITOR
113	1	C	HN51JD026	> CONTACTOR(C)
114	1	C	HT01BD202	> TRANSFORMER(TRAN)
115	1	C	LH33WP003	> CTRL BOARD(IGC)(YAC CTRL)PSN 1516XXXXX
115A	1	C	LH33EP001	> CTRL BOARD(IGC)(YAC CTRL)SSN 1516XXXXX
120	1	-	48TMFSRBM-1A00	FIOP ASY(COMP 1-CKT)NO CLO(REF)
121	1	-	48TMHSRAM-1A00	> HARNESS ASY(CLO1/COMP1)TERM BD
124	1	-	48TMFSRARB-A00	FIOP,CONDENSATE OVERFLOW SW(CONTROL)REF
124A	1	-	HL39ZZ008	> CONTROLLER,CONDESATE(COFS)
124B	1	-	48TM482500	FIOP,CONDENSATE OVERFLOW(SENSOR)REFERENCE
124C	1	-	HL39ZZ010	> SENSOR,CONDESATE(COFS)
124D	1	-	48TM503400	> BRACKET,SENSOR(FOR COFS)
130	1	-	48TMFSRSF1-300	FIOP ASY(IFM)(CONTROL)(REF)(STD STATIC)
130A	1	-	48TMFSRSF1-300	FIOP ASY(IFM)(CNTRL)(REF)(MED STATIC)
140	1	-	TFACCY:48TMFSRADP- A00..	FIOP,PREMIERLINK CONTROL("1" 14TH POS)
145	1	-	TFACCY:48TMFSRADR- A00..	FIOP,RTU-MP/OPEN CONTROLLER("2" 14TH POS)
147	1	-	HH79NZ074	SENSOR(SAT)FOR RTU-MP & PREMIERLINK
150	1	-	48TM400640	FAN ASSEMBLY(REF)
151	1	-	319421-302	> CONDUIT
152	1	-	50HJ501200	> GRILLE,OUTLET
153	1	C	LA01RA044	> PROPELLER,FAN
154	1	C	HC39GE238	> MOTOR,OUTDOOR

Itm#	Qty	Rec	Part Number	Description
180A	1	-	48TM480072	FIOP,FAN MTR(STD STAT)OPT"1"10TH POS(REF: FOR UNITS WITH SERIAL NUMBER PRIOR TO 1912XXXXXX (REF ONLY)
180B	1	-	48TM482711	FIOP,FAN MTR(STD STAT)OPT"1"10TH POS(REF: FOR UNITS WITH SERIAL NUMBER AFTER 1912XXXXXX (REF. ONLY)
180D	1	-	48TM480070	FIOP,FAN MTR(MED STATIC)OPT "2" 10TH POS
181	1	C	HC52ER230	> MOTOR, INDOOR (IFM)STD STATIC
181C	1	C	HC54FB230	> MOTOR, INDOOR (IFM)MED STATIC
182	1	C	P291-1503	> CAPACITOR,MOTOR(CAP2)STD STATIC
183	1	-	P281-0031	> STRAP,CAPACITOR(STD STATIC)
184	1	-	KR11AZ406	> PULLEY,BLOWER(STD STATIC)
184A	1	-	KR11AZ406	> PULLEY,BLOWER(MED STATIC)
185	1	-	P461-3503	> PULLEY,MOTOR(STD STATIC)
185C	1	-	P461-3505	> PULLEY,MOTOR(MED STATIC)
186	1	-	P463-AX35	> BELT(STD STATIC)
186C	1	-	P463-AX38	> BELT(MED STATIC)
187	1	-	48TM400652	> HARNESS ASY(STD STATIC)
187C	1	-	48TM400654	> HARNESS ASY(MED STATIC)
188	1	-	50HJ441155	> BLOWER ASY(STD STATIC)
188A	1	-	48TM400646	> BLOWER ASY(MED STATIC)
189	1	-	50DK500066	> > SCROLL,FAN
190	1	-	50DK509554	> > SHAFT,FAN
191	2	-	50DK509555	> > BRACKET ASY
192	1	-	50DK509568	> > PLATE,FAN
193	1	-	50HJ541544	> > PLATE,FAN
194	2	-	KT61DZ030	> > BEARING
195	1	C	LA22LA036	> > WHEEL,BLOWER(STD STATIC)
195A	1	C	LA22LA117	> > WHEEL,BLOWER(MED STATIC)
198	1	-	50HJ502292	> PLATE,MOTOR(STD STATIC)
199	1	-	50HJ502293	> ANGLE,SUPPORT(STD STATIC)
204	1	-	50DK409559	> PLATE ASY,MOTOR(MED STATIC)
205	1	-	50DK509556	> SUPPORT BRACKET(MED STATIC)
214	4	-	AH19AB198	> BOLT,CARRIAGE
215	1	-	AW01DA053	> KEY(MOTOR)
216	1	-	AW01DA055	> KEY(BLOWER)
220	1	C	50HJ442393	COIL,EVAP(AL.FIN/CU TUBE)
220A	1	-	50HJ442394	COIL,EVAP(CU.FIN/CU.TUBE)
220C	1	-	50HJ442393C	COIL,EVAP(AL.FIN/CU TUBE)E-COAT
221	1	-	50HJ442396	> HEADER ASY(W/METERING DEVICE)
230	1	C	48TM400071	COIL,CONDENSER(AL.FIN/CU.TUBE)PSN 3115XX
230A	1	C	48TM000440	COIL,CONDENSER(AL.FIN/CU.TUBE)SSN 3115XX
230B	1	-	48TM400072	COIL,CONDENSER(CU.FIN/CU.TUBE)PSN 3115XX
230C	1	-	48TM000441	COIL,CONDENSER(CU.FIN/CU.TUBE)SSN 3115XX
230D	1	-	48TM400073	COIL,COND.(AL/CU)PRE-COAT(PSN 3115XXXXX
230E	1	-	48TM000442	COIL,COND.(AL/CU)PRE-COAT(SSN 3115XXXXX
230F	1	-	48TM400071C	COIL,COND.(AL/CU)E COAT(PSN 3115XXXXX)
230G	1	-	48TM000440C	COIL,COND.(AL/CU)E COAT(SSN 3115XXXXX)
230H	1	-	48TM400072C	COIL,COND.(CU/CU)E COAT(PSN 3115XXXXX)
230J	1	-	48TM000441C	COIL,COND.(CU/CU)E COAT(SSN 3115XXXXX)
240	1	-	KH43LE102	FILTER DRIER
243	1	C	HK02SA420	SWITCH,PRESSURE(HPS)
246	1	C	HK02SB020	SWITCH,PRESSURE(LPS)
250	2	-	99CC409372	CAP,FLARE
251	2	-	EC39EZ067	CORE,VALVE
252	2	-	EC39EZ065	VALVE,SERVICE
270	1	-	48TM400753	FILTER ASY(REF)
271	1	-	50DK406322	> FRAME ASY
272	1	-	50DK506319	> > RETAINER,FILTER
273	1	-	50DK506320	> > RETAINER,FILTER
274	2	-	50DK506321	> > RETAINER,FILTER

Itm#	Qty	Rec	Part Number	Description
275	1	-	50DK407016	> PAN ASY,CONDENSATE
278	1	-	50DK500071	> BRACKET, INDOOR
279	1	-	50DK500523	> BRACKET
280	2	-	KH01AA075	> FILTER
300	1	-	48TJ660001	HEAT EXCHANGER
302	1	-	50DK506358	REGULATOR, FLAME
303	1	-	50DK503911	GASKET, REGULATOR
304	1	-	50DK502662	RETAINER, FLAME
305	1	-	50DK500061	SUPPORT, HEAT EXCHANGER (BRACKET)
307	1	-	50DK500294	GUARD (LIMIT SWITCH)
308	1	C	HH18HA148	SWITCH, LIMIT (LS)
309	1	C	HH18HZ195	SWITCH, ROLLOUT (RS)
310	1	-	48TM002166	SWITCH ASSEMBLY (REF) (SSN 1516XXXXXX)
311	1	C	HK06WC061	> SWITCH, PRESSURE (PS) SSN 1516XXXXXX
311A	1	-	48TM002165	> HARNESS ASY (SSN 1516XXXXXX)
312	1	-	48TM000455	TUBE (PRESSURE SWITCH) SSN 1516XXXXXX
313	1	-	50DK503895	ANGLE, BLOCKOFF
320	1	-	50DK406230	SUPPORT ASY (INDUCER & HEAT EXCH): PSN 1516XXXXXX
320A	1	-	48TM000457	SUPPORT ASY (INDUCER & HEAT EXCH): SSN 1516XXXXXX
321	1	-	50DK504557	> SHIELD
322	1	-	50DK505990	> SUPPORT (PSN 1516XXXXXX)
322A	1	-	NSS	> SUPPORT (SSN 1516XXXXXX)
323	1	-	50DK506229	> INSULATION
330	1	C	HC91CA004	CAPACITOR (CAP3) (IDM)
331	1	-	P281-0031	STRAP, CAPACITOR
332	1	-	P281-0002	BOOT, PROTECTIVE
335	1	-	48TM400634	HARNESS ASY (IDM, CAP3, RS, IGC)
340	1	-	50DK406815	MOTOR ASY (INDUCED DRAFT) PSN 1516XXXXXX
340A	1	-	50DK406815	MOTOR ASY (INDUCED DRAFT) SSN 1516XXXXXX
341	1	C	HC30GB232	> MOTOR (IDM) PSN 1516XXXXXX
341C	1	C	HC30GB232	> MOTOR (IDM) SSN 1516XXXXXX
342	1	C	LA01ZC003	> PROPELLER, INDUCED FAN MOTOR
343	1	C	LA21RB550	> WHEEL, BLOWER, INDUCED DRAFT
344	1	-	50DK505913	> HOUSING, FAN
345	1	-	50DK505989	> CHANNEL, INDUCED DRAFT MOTOR
346	1	C	50HJ401484	> SENSOR, HALL EFFECT (HS) PSN 1516XXXXXX
347	1	-	50DK506176	> INSULATION
360	1	-	48TM400761	BURNER ASY (REF)
361	1	-	50DK405976	> MANIFOLD ASY (PSN 3115XXXXXX)
361A	1	-	48TM405269	> MANIFOLD ASY (SSN 3115XXXXXX)
363	2	-	50DK407030	> BURNER ASY
364	1	-	50DK408486	> KIT, WIRING (PSN 1516XXXXXX)
364A	1	-	48TM001803	> KIT, WIRING (SSN 1516XXXXXX)
365	1	C	50HJ401431	> SENSOR, FLAME
366	1	C	50HJ403022	> IGNITER ASY (I)
367	1	-	50HJ501423	> SUPPORT, BURNER (PSN 3115XXXXXX)
367A	1	-	48TM505271	> SUPPORT, BURNER (SSN 3115XXXXXX)
368	1	C	EF32CW035	> VALVE, GAS (MGV)
369	2	-	LH32RF113	> SPUD, ORIFICE
371	1	-	50HJ541224	BRACKET, SUPPORT (GAS VALVE)
500	1	-	TFACCY:50HJ480067 .....	FIOP ASY (NO ECONO. O.A PNL) "A" 15TH POS
500A	1	-	TFACCY:50HJ480198 .....	FIOP ASY (NO ECON.O.A PNL) "A" 15TH HINGED
503	1	-	50HJ400345	> PLUG ASY (SHORTING)
506	1	-	TFACCY:48TM480033 .....	FIOP, 2 POS DAMPER "K" 15TH POS
506A	1	-	TFACCY:48TM480084 .....	FIOP, 2 POS DAMPER "K" 15TH POS (HINGED)

Item#	Qty	Rec	Part Number	Description
507	1	-	TFACCY:48TM480091 ....	FIOP,ECONOMIZER(TEMP)"B" 15TH POS
507A	1	-	TFACCY:48TM480095 ....	FIOP,ECONOMIZER(TEMP)"B" 15TH POS HINGED
508	1	-	TFACCY:48TM480037 ....	FIOP,ECONOMIZER(ENTH)"F" 15TH POS
508A	1	-	TFACCY:48TM480099 ....	FIOP,ECONOMIZER(ENTH)"F" 15TH POS HINGED
509	1	-	TFACCY:50HJ484267 ....	FIOP,ECONO(NO CNTRL)"1"OR"2"10TH&"B"15TH
509A	1	-	TFACCY:50HJ484268 ....	FIOP,ECONO(NO CNTRL)"B" HINGED
509B	1	-	TFACCY:48TM480103 ....	FIOP,ECONO(NO CNTRL)"1"OR"2"10TH&"F"15TH
509C	1	-	48TM480197	FIOP,ECONO(NO CNTRL)"F" HINGED
510	1	-	TFACCY:48TM400971 ....	FIOP RA SMOKE DET."B" 9TH POS WO/ECONO
511	1	-	TFACCY:48TM400974 ....	FIOP RA SMOKE DET."B" 9TH POS W/ECONO
512	1	-	TFACCY:48TM400972 ....	FIOP SA SMOKE DET."C" 9TH POS WO/ECONO
513	1	-	TFACCY:48TM400972 ....	FIOP SA SMOKE DET."C" 9TH POS W/ECONO
514	1	-	TFACCY:48TM400973 ....	FIOP RA & SA SMK DET."D" 9TH POS WO/ECON
515	1	-	TFACCY:48TM400975 ....	FIOP RA & SA SMK DET."D" 9TH POS W/ECONO
516	1	-	TCACCY:48TM480088 ....	FIOP CO2 SENSOR "E,F,G OR H"9TH POS(STD): FOR USE WITH STANDARD CONTROLS
517	1	-	TCACCY:48TM480089 ....	FIOP CO2 SEN"E,F,G OR H"9TH POS(PL & RTU: FOR USE WITH RTU-MP OR PREMIERLINK CONTROLS
525	1	-	TFACCY:48TMFSRAST- A00..	FIOP ASY(SMOKE DET WIRING(REF)
526	1	-	48TMHSRAST-A00	> HARNESS ASY(SMK DET)PL-19(9 PIN PLUG)
530	1	-	48TM400032	FIOP,DISCONNECT(NON FUSED)"C" 17TH POS: USED WITH UNITS WITH SERIAL NUMBERS PRIOR TO 1712CXXXXX AND ANY UNITS WITH A "G" IN THE SERIAL NUMBER
531	1	-	DISC:48TMFSRBWD- 3L0..	FIOP,DISC(NON FUSED)C,F,J, OR M 17TH POS: USED WITH UNITS WITH SERIAL NUMBERS AFTER 1712CXXXXX
536	1	-	TFACCY:50HJ484134 ....	FIOP ASY(CONV.OUTLET)NON PWRD"1"16TH POS
540	1	-	TFACCY:50HJ484438 ....	FIOP ASY(CONV.OUTLET)POWERED"2" 16TH POS
541	1	-	48TM480009	FIOP ASY,HAIL GUARD
542	1	-	48TM500427	> GUARD
543	1	-	48TM500469	> GUARD
625	1	-	TFACCY:CRECOMZR020 02..	ECONOMISER IV,VERTICAL
626	1	-	TFACCY:CRECOMZR024 02..	ECONOMISER IV,HORIZONTAL
627	1	-	TFACCY:CRECOMZR022 01..	ECONOMISER2,VERT. W/O CONTROLS(OA TEMP)
628	1	-	TFACCY:CRECOMZR026 00..	ECONOMISER2,HORIZ. W/O CONTROLS(OA TEMP)
629	1	-	CRPECONV003A00	HINGED ACCESS PANEL KIT,VERTICAL
630	1	-	CRHNGPNL001A00	HINGED ACCESS PANEL KIT,HORIZONTAL
631	1	-	TCACCY:CRTEMPSN002 00..	ECON.SENSOR,OUTDOOR OR RETURN TEMP.
632	1	-	4850A:CRTEMPSN001A 0..	ECON.SENSOR,RETURN AIR TEMP.
633	1	-	33ZCSENC02	ECON.SENSOR,C02 ROOM
634	1	-	33ZCASPCO2	ECON.SENSOR,ASPIRATOR BOX
635	1	-	PGACCY:CRCBDIOX005 00..	ECON.SENSOR,C02 W/RETURN AIRSTREAM
636	1	-	HH57AC077	ECON.SENSOR,ACCUSENSOR II ENTHALPY CONT.
637	1	-	HH57AC078	ECON.SENSOR,ACCUSENSOR II,DIFF.ENTH.CONT
638	1	-	TJACCY:CRENTDIF004 00..	ECON.SENSOR,RETURN AIR W/ELEC.CONTROLS

Itm#	Qty	Rec	Part Number	Description
639	1	-	33ZCT55C02	ECON.SENSOR,SPACE TEMP & C02 OCC.OVERRIDE
640	1	-	33ZCT56C02	ECON.SENSOR,SPACE TEMP & C02 SET.ADJ.
641	1	-	33ZCSENSAT.....	ECON.SENSOR,DUCT SUPPLY/RETURN AIR
642	1	-	TCACCY:CROASENR001A00..	ECON.SENSOR,OUTDOOR AIR/RETURN AIR
643	1	-	4850A:33ZCT55SPT...	ECON.SENSOR,SPACE TEMP W/OCC.OVERRIDE
644	1	-	33ZCT56SPT	ECON.SENSOR,SPACE TEMP W/SETPOINT
645	1	-	33ZCT58SPT	ECON.SENSOR,T58 COMMUNICATING SPACE
646	1	-	33ZCT59SPT	ECON.SENSOR,SPACE TEMP W/OVERRIDE,SET.
647	1	-	33PILOT-01	ECON.SENSOR,SYSTEM PILOT
648	1	-	33CSENTHSW	ECON.SENSOR,PREMIERLINK ENTHALPY CONT.
649	1	-	33SENSEN	ECON.SENSOR,PREMIERLINK ENTHALPY TRANS.
650	1	-	33ZCSENOAT	ECON.SENSOR,OUTDOOR AIR
651	1	-	33ZCSENPAT.....	ECON.SENSOR,PRIMARY AIR TEMP.
652	1	-	33ZCSENSRH-01	ECON.SENSOR,SPACE RELATIVE HUMIDITY
653	1	-	33ZCSENRH-01	ECON.SENSOR,DUCT RELATIVE HUMIDITY
654	1	-	33ZCSENORH-01	ECON.SENSOR,OUTDOOR RELATIVE HUMIDITY
655	1	-	TFACCY:CRPWREXH030A01..	POWER EXHAUST,VERTICAL
656	1	-	TFACCY:CRPWREXH028A01..	POWER EXHAUST,HORIZONTAL
657	1	-	HT01AH859	575V TRANSFORMER
658	1	-	TFACCY:CRMANDPR001A01..	MANUAL OUTDOOR AIR DAMPERS,25%
659	1	-	TFACCY:CRMANDPR001A02..	MANUAL OUTDOOR AIR DAMPERS,50%
660	1	-	TFACCY:CRWOP0S010A00..	MOTORIZED OUTDOOR AIR DAMPERS
661	1	-	CRRFCURB001A01	ROOFCURB,14"
662	1	-	CRRFCURB002A01	ROOFCURB,24"
663	1	-	CRBTMPWR001A01	THRU-THE-BOTTOM ELEC.CONNECTION
664	1	-	CRBTMPWR003A01	THRU-THE-BOTTOM ELEC,CONTROL,GAS CONN.
667	1	-	TCACCY:CRLVHLGD012A00..	ALOUVERED CONDENSER COIL HAIL GUARD
668	1	-	TJACCY:CRPHASE3001A01..	PHASE MONITOR CONTROL
669	1	-	TFACCY:CRSTATUS001A00..	FAN/FILTER STATUS SWITCH
670	1	-	TJACCY:CRTIMEGD001A00..	TIME GUARD II
671	1	-	KA99ZT003	REMOTE KEYED ATTENUATOR/TEST/RESET STA.
671A	1	-	KA98ZT001	MAGNET,TEST
672	1	-	LON-OC	LONWORKS OPTION CARD
673	1	-	BACVIEW6	BACVIEW HANDHELD
674	1	-	USB-L	USB LINK INTERFACE
677	1	-	33CNTPILOT	TOUCH SCREEN USER INTERFACE
678	1	-	SPACCY:CPLOWAMB001A00..	MOTORMASTER II: On 575 volt units Contact Application Engineering for Motormaster II
679	1	-	32LT660004	MOTORMASTER I
681	1	-	HC40GE233	MOTORMASTER I COMPAT.CONDENSER FAN MTR
682	1	-	P291-1003	10 MICRO FARAD RUN CAPACITOR
682C	1	-	HC98JA083	80 + 10 MICRO FARAD RUN CAPACITOR
683	1	-	33CSSN2-WC	TSTAT,NON-PRG,2 STG HT/CL,G/E & HP
684	1	-	33CSSP2-WC	TSTAT,PROG,2 STG HT/CL,G/E & HP
685	1	-	33CSPTN-02	TSTAT,7 DAY PROG.AUTO CHG,3 STG HT,2 COO
686	1	-	33CS400-01	TSTAT,NON-PRG,2 STG HT/COOL,HP OR G/E
687	1	-	33CS420-01	TSTAT,7 DAY PROG/NON PROG
688	1	-	33CS450-01	TSTAT,7 DAY PROG/NON PROG
689	1	-	33CS220-FS	TSTAT,7 DAY PROG
690	1	-	33CS250-FS	TSTAT,7 DAY PROG
691	1	-	33CS220-LA	TSTAT,7 DAY PROG
692	1	-	33CS250-LA	TSTAT,7 DAY PROG

Itm#	Qty	Rec	Part Number	Description
694	1	-	TSTATCCPLH01-B	THERMIDISTAT CONTROL
695	1	-	HN61KK324	RELAY
696	1	-	33CSSEN-WB	TSTAT,REMOTE ROOM SENSOR W/OVERRIDE
697	1	-	33CSSEN-01	TSTAT,REMOTE ROOM SENSOR W/O OVERRIDE
698	1	-	33CSSEN-DS	DUCT TEMPERATURE SENSOR
699	1	-	ZONECCRORS01	REMOTE ROOM SENSOR
700	1	-	TSTATXXSEN01-B	OUTDOOR TEMPERATURE SENSOR
701	1	-	33CSHUMID-01	PLUG-IN HUMIDITY MODULE
702	1	-	33CSIRRCVR-01	PLUG-IN INFRARED REMOTE CONTROL & REC.
703	1	-	33CSPGMR-01	EZ THERMOSTAT PROGRAMMER
708	1	-	TCACCY:CRDMNDGW001A 00..	ENERGY DEMAND GATEWAY
709	1	-	TCACCY:CRDMNDMD001A 00..	ENERGY DEMAND LOAD CONTROLLER
714	1	-	TFACCY:CRFLUEDS001A 00..	FLUE DISCHARGE DEFLECTOR
715	1	-	CRFLUEHD001A00	FLUE EXHAUST HEAT SHIELD
716	1	-	TFACCY:CRLPELEV001A 00..	LIQUID PROPANE/HIGH ALT CONVERSION KIT: SEE ORIGINAL KIT INSTRUCTIONS FOR PROPER APPLICATION.
717	1	-	TFACCY:CRLPELEV002A 00..	LIQUID PROPANE/HIGH ALT CONVERSION KIT
718	1	-	TFACCY:CRLPELEV003A 00..	LIQUID PROPANE/HIGH ALT CONVERSION KIT
719	1	-	TFACCY:CRLPELEV004A 00..	LIQUID PROPANE/HIGH ALT CONVERSION KIT