
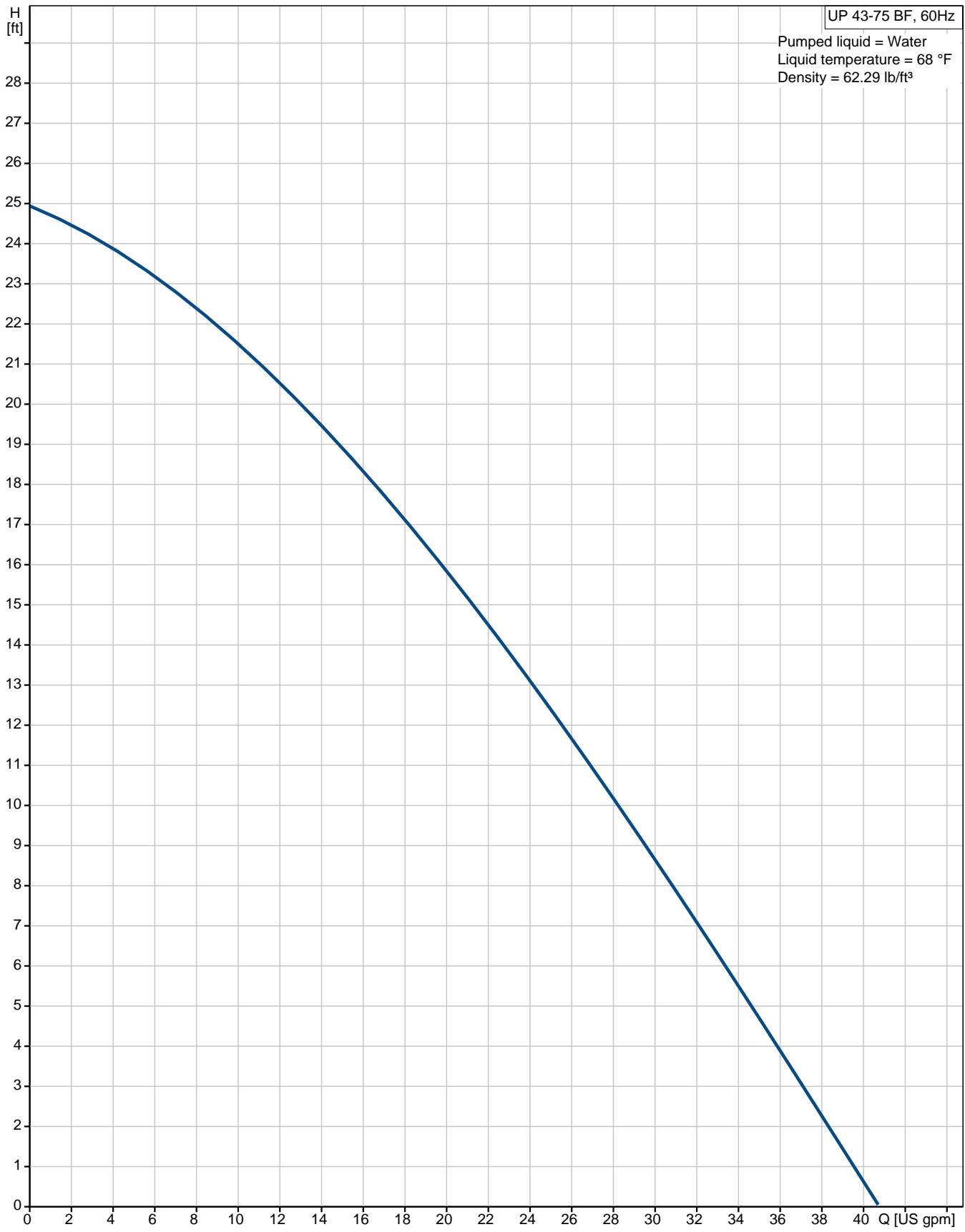


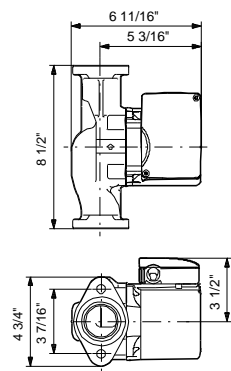
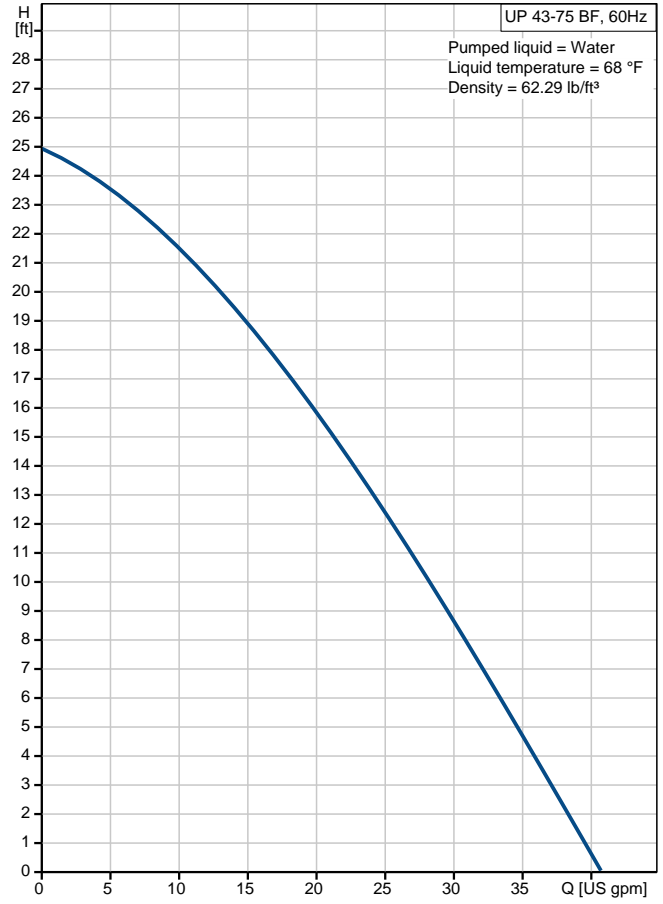
Position	Count	Description
	1	<p><b>UP 43-75 BF</b></p>  <p style="text-align: center;">Product photo could vary from the actual product</p> <p>Product No.: <a href="#">52722370</a></p> <p>The pump is of the canned rotor type, i.e. pump and motor form an integral unit without shaft seal and with only two gaskets for sealing. The bearings are lubricated by the pumped liquid. The pump is characterized by:</p> <ul style="list-style-type: none"> <li>* Ceramic shaft and radial bearings.</li> <li>* Carbon axial bearing.</li> <li>* Stainless steel rotor can and bearing plate.</li> <li>* Corrosion-resistant impeller, Composite, PES.</li> <li>* Bronze pump housing.</li> </ul> <p>The motor is a 1-phase motor. No additional motor protection is required.</p> <p><b>Liquid:</b> Liquid temperature range: 32 .. 230 °F</p> <p><b>Technical:</b> Approvals on nameplate: UL, CSA</p> <p><b>Materials:</b> Pump housing: Bronze DIN W.-Nr. 2.1176.01 Impeller: Composite, PES</p> <p><b>Installation:</b> Maximum ambient temperature: 104 °F Ambient max at 176°F liquid: 176 °F Maximum operating pressure: 145 psi Flange standard: USA Oval Type of connection: Bronze Flange Pipe connection: 2 - Bolt Flange Pressure stage: 10 Port-to-port length: 8 1/2 in</p> <p><b>Electrical data:</b> Number of poles: 2 C run: 10 µF Max. power input: 215 W Rated power - P2: 0.16 HP Main frequency: 60 Hz Rated voltage: 1 x 115 V Current in speed 3: 2.15 A Capacitor size - run: 10 µF/180 V Insulation class (IEC 85): F</p>

Position	Count	Description
		<b>Others:</b> Gross weight: 15 lb

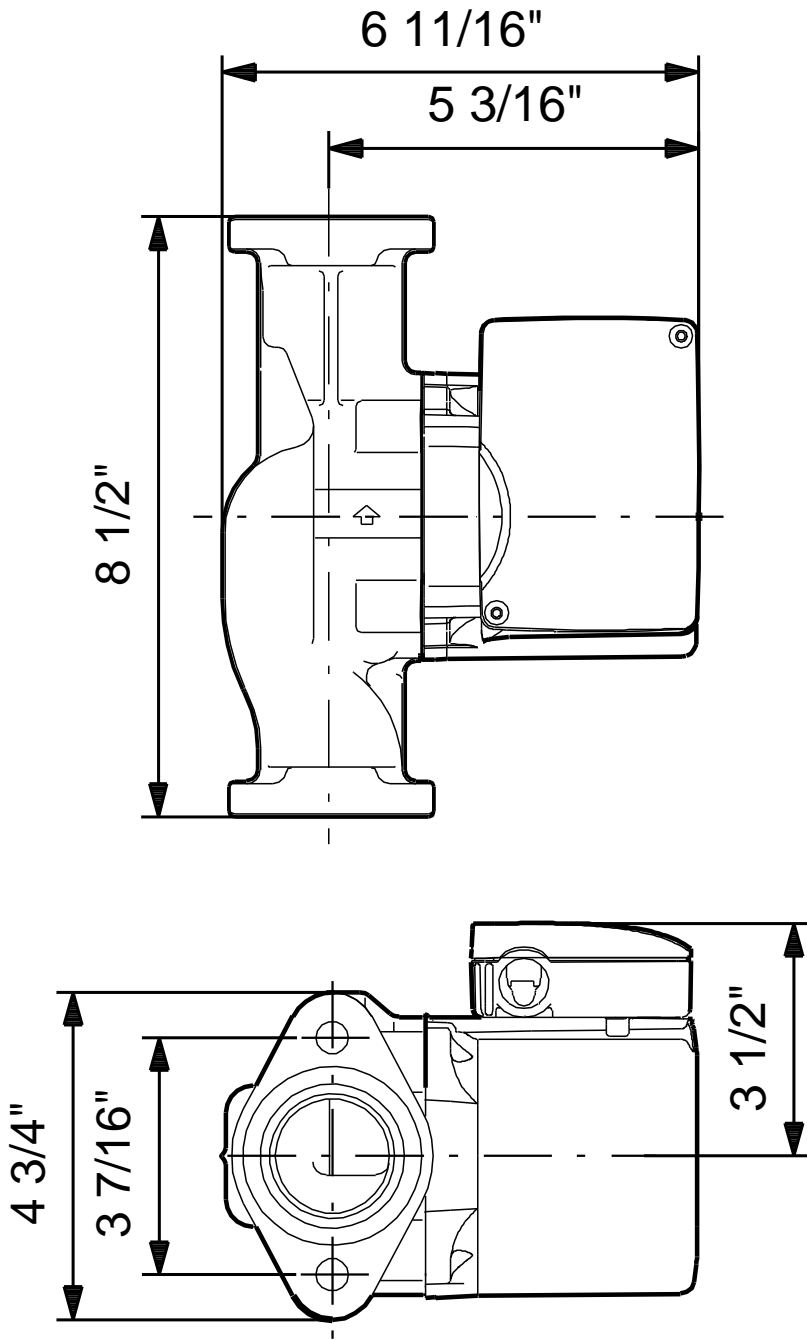
# 52722370 UP 43-75 BF 60 Hz



Description	Value
<b>General information:</b>	
Product name:	UP 43-75 BF
Position	
Product No.:	<a href="#">52722370</a>
EAN:	5700391377389
Price:	On request
<b>Technical:</b>	
Speed Number:	1
Max flow:	40.9 US gpm
Head max:	24.9 ft
Approvals on nameplate:	UL, CSA
<b>Materials:</b>	
Pump housing:	Bronze
	DIN W.-Nr. 2.1176.01
Impeller:	Composite, PES
<b>Installation:</b>	
Maximum ambient temperature:	104 °F
Ambient max at 176°F liquid:	176 °F
Maximum operating pressure:	145 psi
Flange standard:	USA Oval
Type of connection:	Bronze Flange
Pipe connection:	2 - Bolt Flange
Pressure stage:	10
Port-to-port length:	8 1/2 in
<b>Liquid:</b>	
Liquid temperature range:	32 .. 230 °F
<b>Electrical data:</b>	
Number of poles:	2
C run:	10 µF
Max. power input:	215 W
Rated power - P2:	0.16 HP
Main frequency:	60 Hz
Rated voltage:	1 x 115 V
Current in speed 3:	2.15 A
Capacitor size - run:	10 µF/180 V
Insulation class (IEC 85):	F
Motor protection:	CONTACT
Thermal protec:	internal
<b>Controls:</b>	
Pos term box:	9H
<b>Others:</b>	
Gross weight:	15 lb



52722370 UP 43-75 BF 60 Hz



Note! All units are in [mm] unless otherwise stated.  
Disclaimer: This simplified dimensional drawing does not show all details.