

Terminal Equipment Controller Enclosure

Product Description

A Terminal Equipment Controller enclosure is a general-purpose metal cabinet with a removable cover that houses an electronic output Terminal Equipment Controller (TEC). It is available in two versions: one to enclose a short platform TEC, and a larger multi-purpose model designed to enclose any of the following:

- Short platform TEC with or without actuator
- Long platform TEC
- TEC Actuator Package
- TEC Plug-in Relay Module (either direct or remote mounted)

Product Number

540-155	Enclosure for short platform TEC
550-002	Multi-purpose enclosure for short or long platform TEC and/or other components listed above

Agency Approvals

- UL listed as an industrial control panel enclosure per UL 508
- cUL certified as an industrial control panel enclosure per Canadian standard C22.2 No.14-95

Required Tools

- 1/4-inch hex nut driver
- If supplied screws are not used: electric drill and appropriate size bit
- Medium flat-blade screwdriver

Prerequisites

The mounting screws provided are designed for common sheet-metal duct surfaces. Have appropriate mounting hardware on hand if another surface is used.

Instructions

1. Remove enclosure cover.

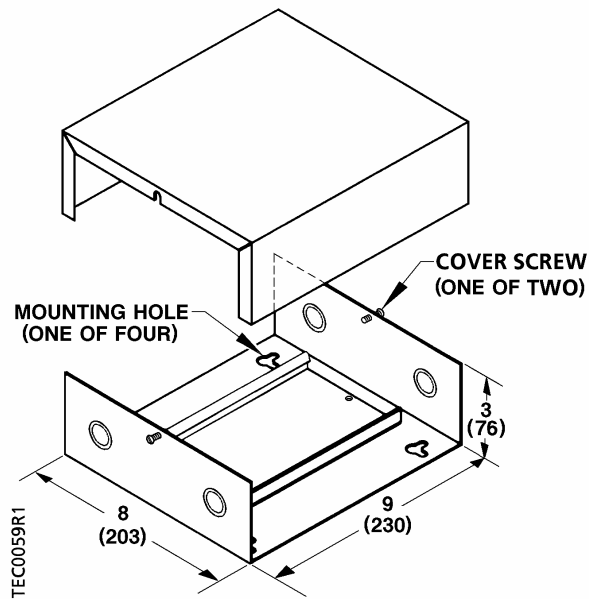
NOTE: Enclosure 540-155 has cover screws that should be loosened but not removed. Enclosure 550-002 has no cover screws; see Figure 5 for tip on removing cover.

2. Remove appropriate knockouts.
3. Align the enclosure on the mounting surface and mark the position of the mounting holes (Figure 1 or Figure 2).
4. Mount the enclosure with the self-tapping screws provided or drill pilot holes and mount with other screws.
5. Do one of the following:
 - If the controller will not be installed at this time, replace the cover.
 - If the controller will be installed now, then snap it into the mounting rail and replace enclosure cover. (For enclosure 550-002, see Figure 4 for how to secure the mounting rail, and Figure 6 for how to replace the cover.)

The enclosure is installed.

Expected Installation Time

20 minutes



Dimensions in Inches (Millimeters)
Figure 1. Enclosure 540-155.

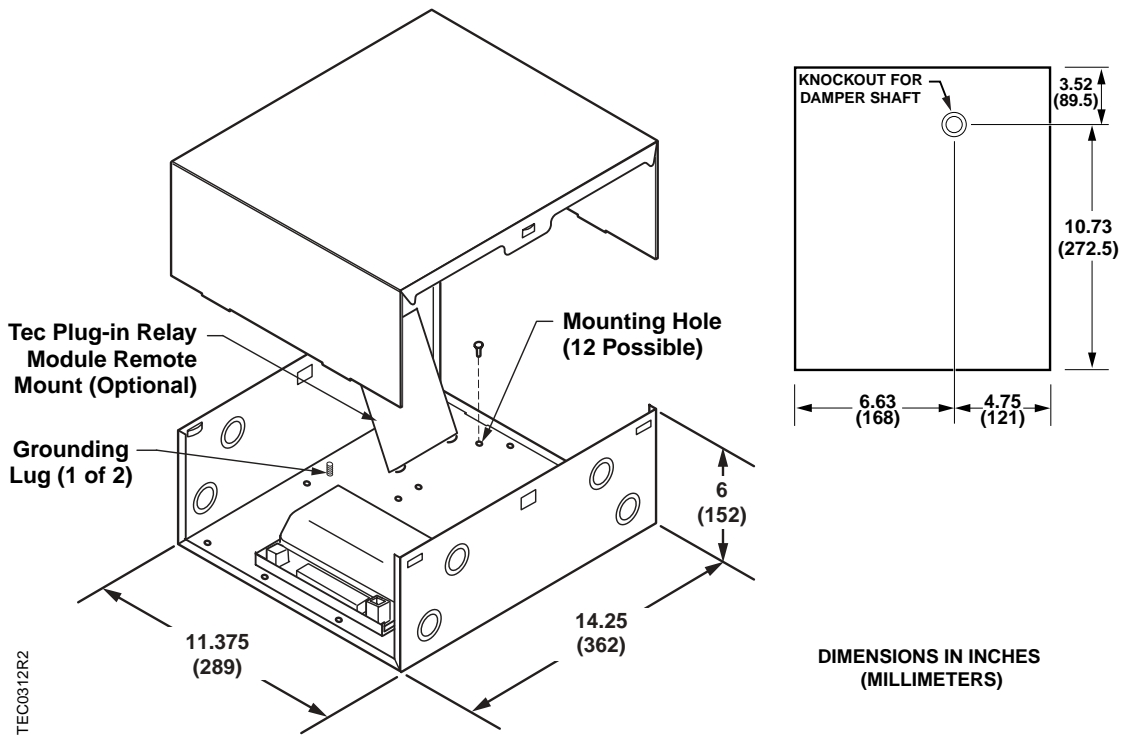
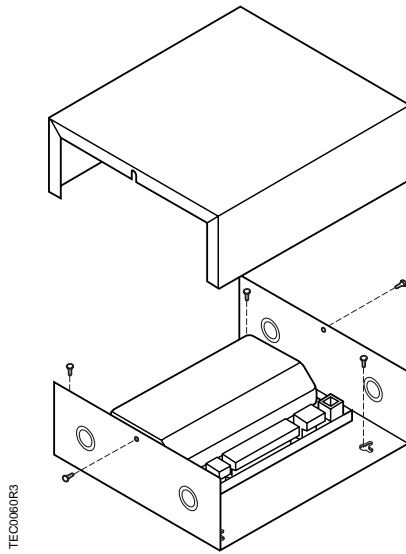
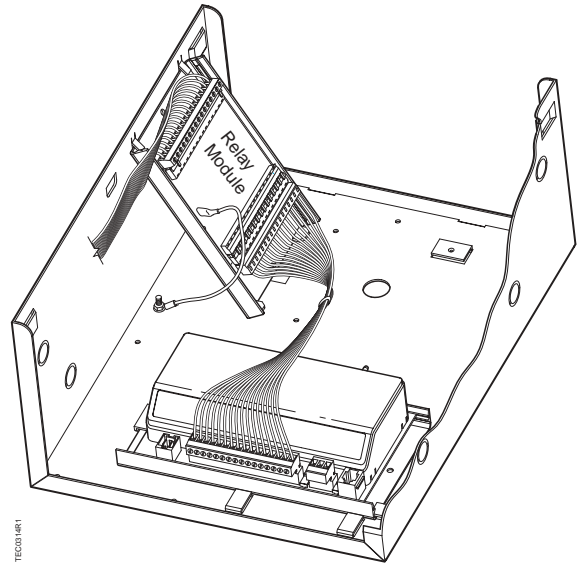


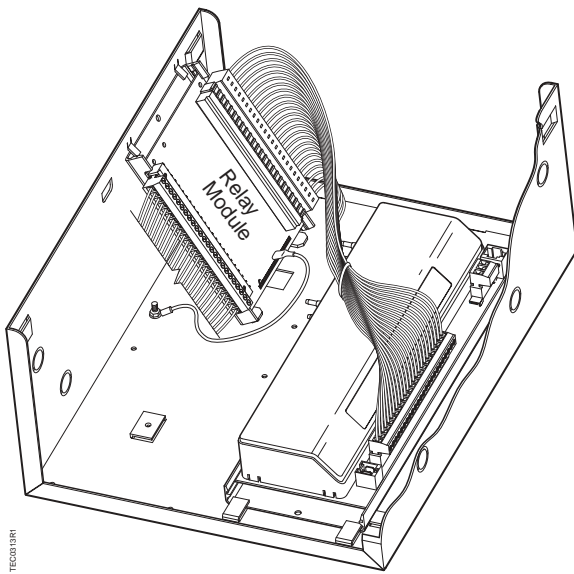
Figure 2. Enclosure 550-002.



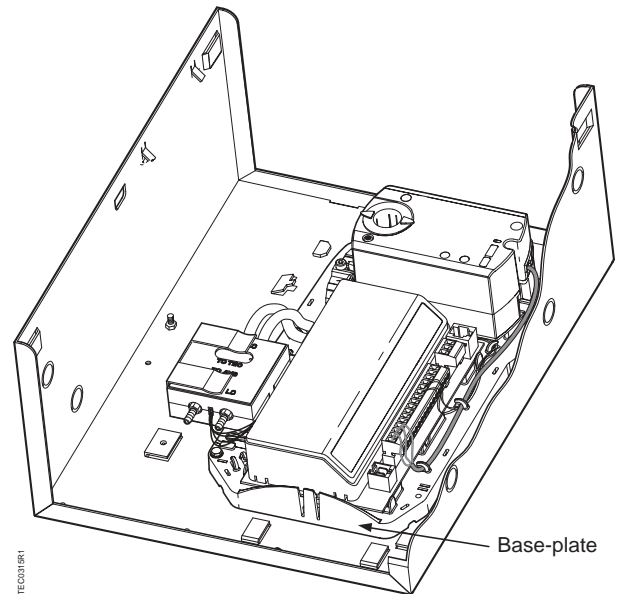
Enclosure 540-155 with Short Platform Controller



Enclosure 550-002 with Short Platform Controller and optional TEC Plug-in Relay Module (remotely mounted)

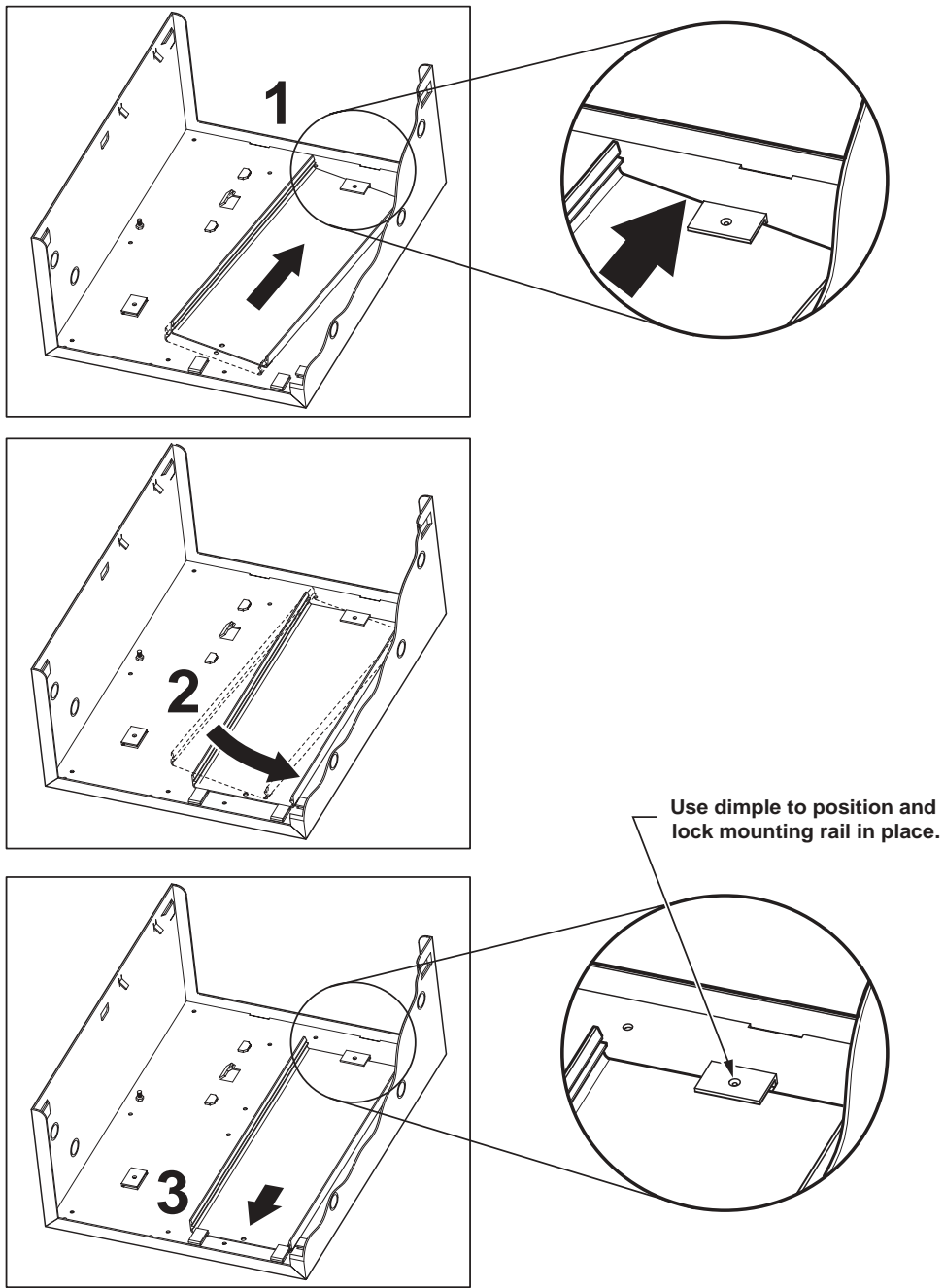


Enclosure 550-002 with Long Platform Controller and optional TEC Plug-in Relay Module (remotely mounted)



Note: TEC Plug-in Relay Module (optional) is not shown but is available with this configuration.
Enclosure 550-002 with TEC Actuator Package (shown with optional Autozero Module)

Figure 3. Enclosures with Controllers and Optional Components Installed.



With enclosure 550-002, the mounting rail does not mount with screws. Instead, it slides under and is secured by mounting flanges. **Exception:** TEC Actuator Package (P/N) comes pre-assembled on a common base-plate that must be screwed in place.
Short platform mounting rail mounts in same manner as long platform mounting rail, but at right angle.

Figure 4. Enclosure 550-002, Method of Securing Mounting Rails.

NOTE: Long platform mounting rail shown above. Short platform mounting rail mounts in same manner but at right angle.

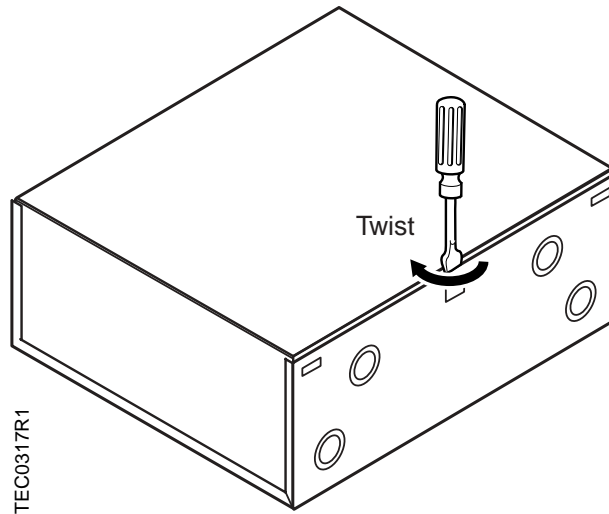


Figure 5. Enclosure 550-002 — First Step of Removing Cover (do both sides).

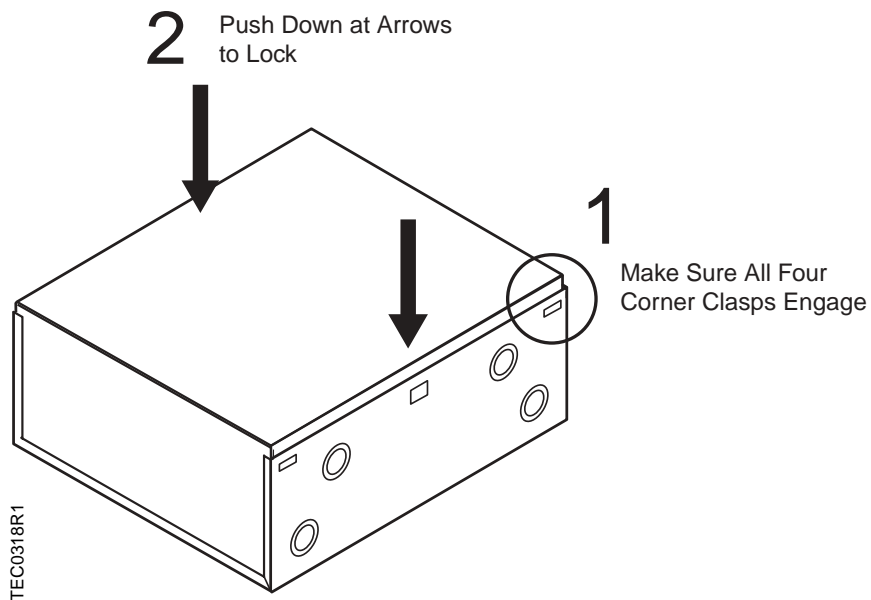


Figure 6. Enclosure 550-002 — Replacing Cover.

Information in this publication is based on current specifications. The company reserves the right to make changes in specifications and models as design improvements are introduced. Other product or company names mentioned herein may be the trademarks of their respective owners. © 2004 Siemens Building Technologies, Inc.

Siemens Building Technologies, Inc.
1000 Deerfield Parkway
Buffalo Grove, IL 60089-4513
U.S.A.

Your feedback is important to us. If you have comments about this document, please send them to technical.editor@sbt.siemens.com

Document No. 550-196
Country of Origin: US