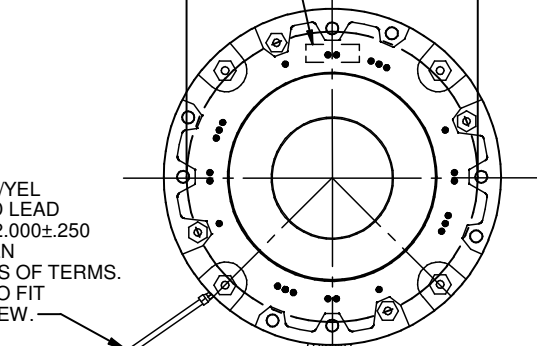


AUTOMATIC THERMAL PROTECTOR

4.312  
B. C.

#16 GRN/YEL  
GROUND LEAD  
TO BE 12.000±.250  
BETWEEN  
CENTERS OF TERMS.  
TERM. TO FIT  
#10 SCREW.

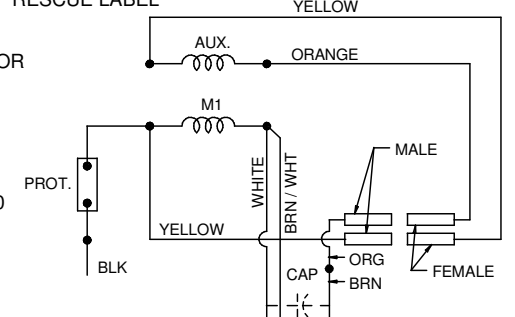
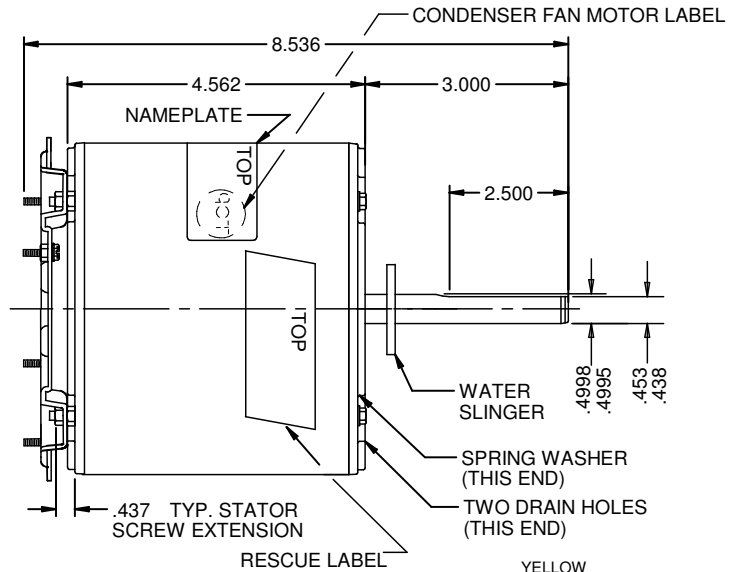


KIT:  
4 NUTS



4 LEADS, #18, .031 THICK INSUL.  
(2) YEL & (2) ORG FOR REVERSING  
ROTATION. TO EXTEND BEYOND MOTOR  
4.000 + 2.000  
- 0.000

4 LEADS, #18, .031 THICK INSULATION  
TO EXTEND BEYOND MOTOR 36.000+3/-0  
AND SKINNED OF .750" ON BLACK AND  
WHITE LEAD AND .250 INSULATED FLAG  
TERMINAL ON BROWN LEAD  
AND BRN / WHT LEAD.



NIDEC MOTOR CORPORATION 22-Sep-12

MODEL	REF	CUSTOMER	HP	VOLTS	AMPS	HZ	RPM	ROTATION	CAT. NO.
K48HXWSH-0142		WHOLESALE-HAC	1/4-1/6	208-230	1.5	60	1075	CCW LE, REVERSIBLE	5441H

SHEET NUMBER	REV	REVISION RECORD FOR: C6386-00
1 OF 1	F	ADDED NOTE "KIT: 4 NUTS"
REVISION DATE		
22-SEP-12		

INFORMATION DISCLOSED ON THIS DOCUMENT IS CONSIDERED PROPRIETARY AND SHALL NOT BE REPRODUCED OR DISCLOSED WITHOUT WRITTEN CONSENT OF NIDEC MOTOR CORPORATION

**NIDEC MOTOR CORPORATION**

ISSUED BY	REVIEWED BY	ENGINEER APPROVED
R. MORALES	B. GAITAN	B. GAITAN

TITLE	CODE	ITEM NO.	SIZE
ASSEMBLED VIEW	V01	784300	A