
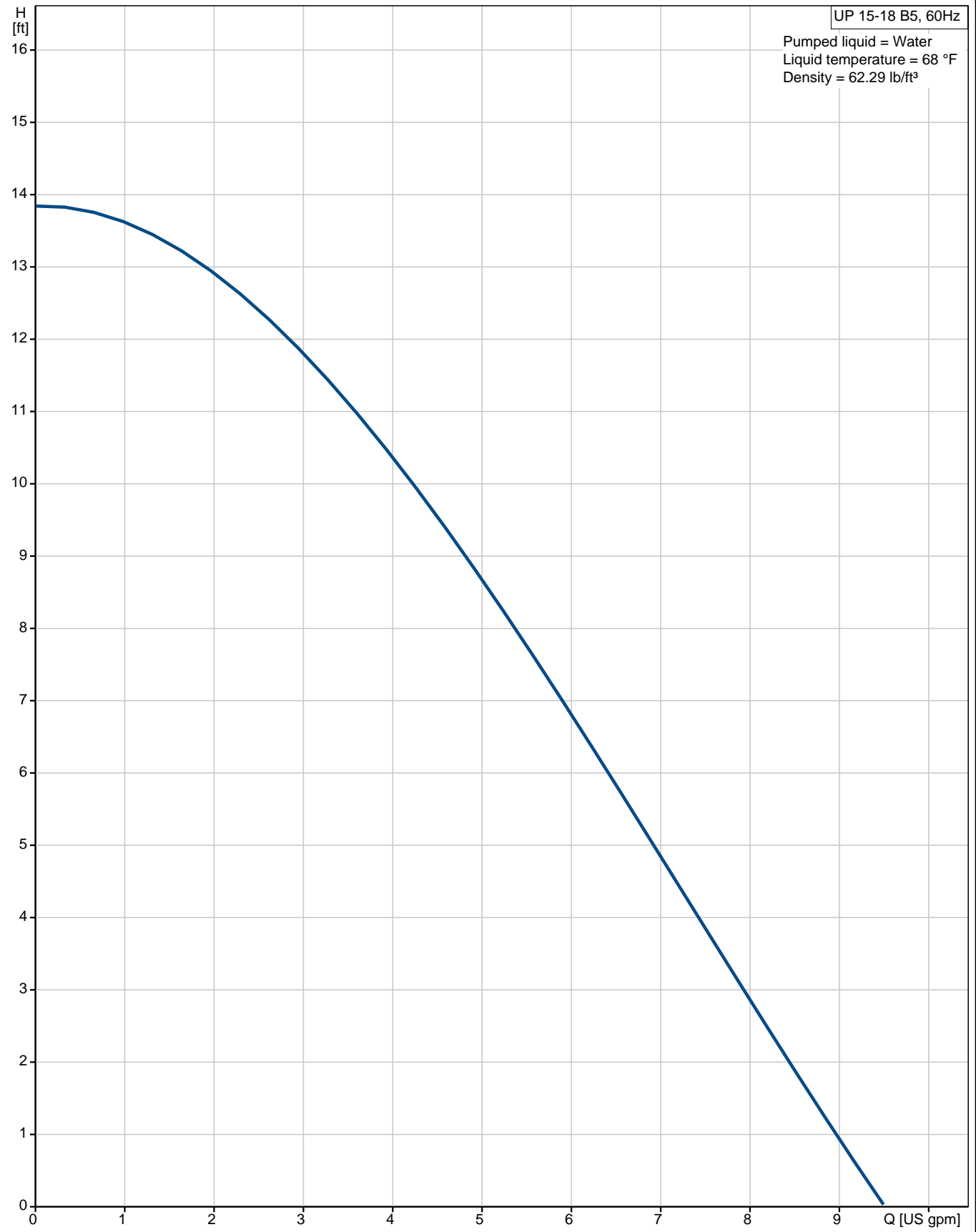


Position	Count	Description
	1	<p data-bbox="380 159 521 189"><b>UP 15-18 B5</b></p>  <p data-bbox="764 506 1218 527">Product photo could vary from the actual product</p> <p data-bbox="380 537 641 558">Product No.: <a href="#">59896118</a></p> <p data-bbox="380 569 919 680">The pump is of the canned rotor type, i.e. pump and motor form an integral unit without shaft seal and with only two gaskets for sealing. The bearings are lubricated by the pumped liquid. The pump is characterized by:</p> <ul data-bbox="415 716 954 856" style="list-style-type: none"> <li>* Ceramic shaft and radial bearings.</li> <li>* Carbon axial bearing.</li> <li>* Stainless steel rotor can and bearing plate.</li> <li>* Corrosion-resistant impeller, Composite, PES.</li> <li>* Bronze pump housing.</li> </ul> <p data-bbox="380 894 834 947">The motor is a 1-phase motor. No additional motor protection is required.</p> <p data-bbox="380 982 886 1035"><b>Liquid:</b> Liquid temperature range: 35.6 .. 230 °F</p> <p data-bbox="380 1073 834 1125"><b>Technical:</b> Approvals on nameplate: UL, CSA</p> <p data-bbox="380 1163 971 1272"><b>Materials:</b> Pump housing: Bronze DIN W.-Nr. 2.1176.01 Impeller: Composite, PES</p> <p data-bbox="380 1310 894 1566"><b>Installation:</b> Maximum ambient temperature: 104 °F Ambient max at 176°F liquid: 176 °F Maximum operating pressure: 145 psi Flange standard: USA Sweat Type of connection: Bronze Sweat Pipe connection: 1/2" Sweat Pressure stage: 10 Port-to-port length: 5 in</p> <p data-bbox="380 1604 862 1892"><b>Electrical data:</b> Number of poles: 2 C run: 2 µF Max. power input: 90 W Rated power - P2: 0.04 HP Main frequency: 60 Hz Rated voltage: 1 x 230 V Current in speed 3: 0.4 A Capacitor size - run: 2 µF/400 V Insulation class (IEC 85): F</p>

Position	Count	Description
		<p><b>Others:</b> Gross weight: 6 lb</p>

# 59896118 UP 15-18 B5 60 Hz



Description	Value
-------------	-------

**General information:**

Product name:	UP 15-18 B5
Position:	
Product No.:	59896118
EAN:	5700391411397
Price:	On request

**Technical:**

Speed Number:	1
Max flow:	14.5 US gpm
Head max:	13.8 ft
Approvals on nameplate:	UL, CSA

**Materials:**

Pump housing:	Bronze
	DIN W.-Nr. 2.1176.01
Impeller:	Composite, PES

**Installation:**

Maximum ambient temperature:	104 °F
Ambient max at 176°F liquid:	176 °F
Maximum operating pressure:	145 psi
Flange standard:	USA Sweat
Type of connection:	Bronze Sweat
Pipe connection:	1/2" Sweat
Pressure stage:	10
Port-to-port length:	5 in

**Liquid:**

Liquid temperature range:	35.6 .. 230 °F
---------------------------	----------------

**Electrical data:**

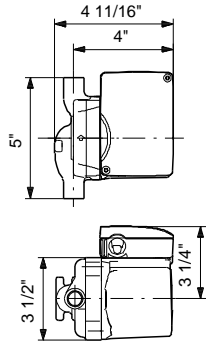
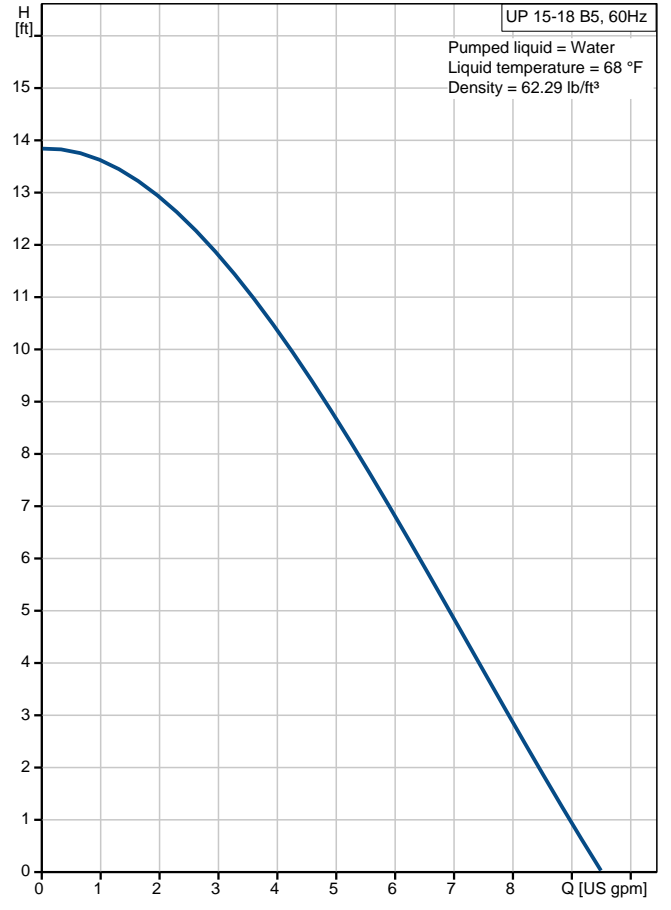
Number of poles:	2
C run:	2 µF
Max. power input:	90 W
Rated power - P2:	0.04 HP
Main frequency:	60 Hz
Rated voltage:	1 x 230 V
Current in speed 3:	0.4 A
Capacitor size - run:	2 µF/400 V
Insulation class (IEC 85):	F
Motor protection:	CONTACT
Thermal protec:	internal

**Controls:**

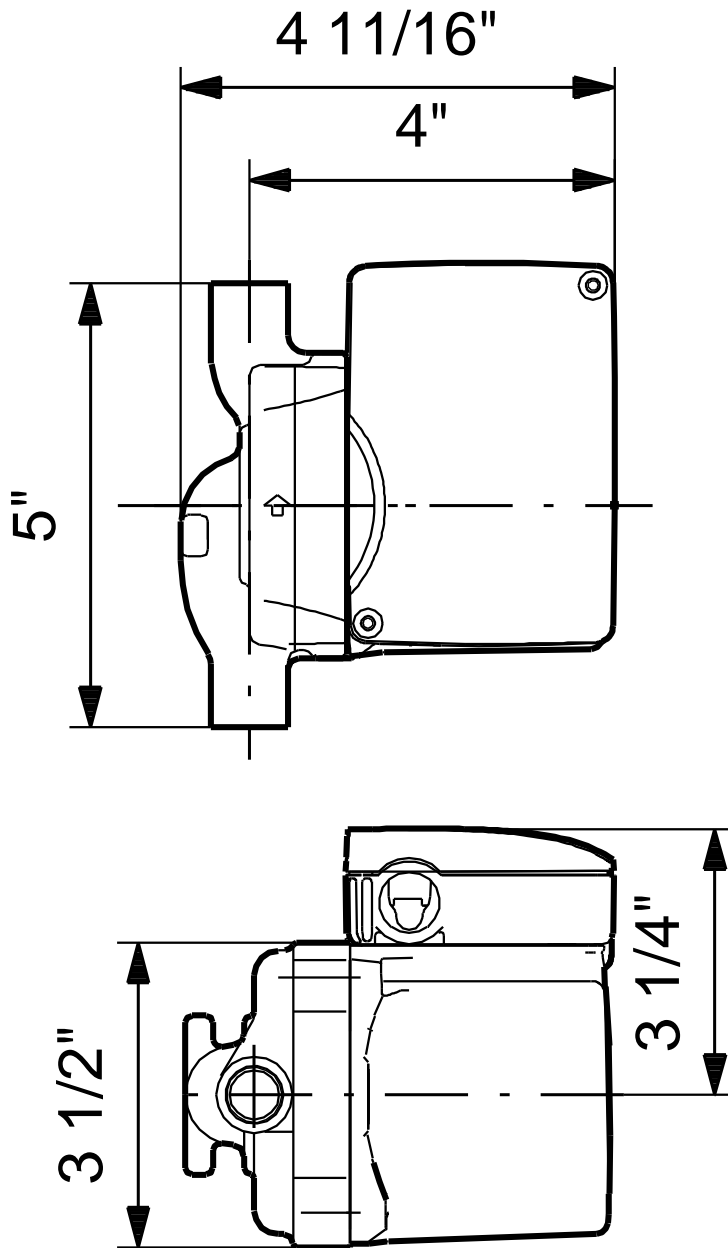
Pos term box:	9H
---------------	----

**Others:**

Gross weight:	6 lb
---------------	------



59896118 UP 15-18 B5 60 Hz



Note! All units are in [mm] unless otherwise stated.  
Disclaimer: This simplified dimensional drawing does not show all details.