

## Pneumatic 8-inch Valve Actuator



Flowrite 8-inch Pneumatic Valve Actuator.

### Description

Designed for use with Flowrite valves, the Flowrite 8-inch Pneumatic Valve Actuator has a 3/4-inch (20 mm) stroke and is available with two diaphragm options for normal duty and high-temperature service.

### Features

- Completely enclosed actuator housing protects the diaphragm, spring, and start point adjuster
- A positioning relay is available factory-mounted on valve and actuator assemblies or as an accessory
- Field-adjustable start point for sequencing and calibration
- Easy-to-install
- Legendary Flowrite performance

### Option

- High-temperature model

### Applications

The Flowrite 8-inch Pneumatic Valve Actuator is designed to be used with the Flowrite valves in liquid and steam service applications.

A-179

Valves



# 8-inch Pneumatic Actuator Specifications

**Effective Diaphragm Area** ..... 28 in.<sup>2</sup> (180 cm<sup>2</sup>)

**Diaphragm Material**  
 Standard ..... Buna-N  
 High Temp ..... Silicone

**Temperature Range**  
 Normal Duty Service ..... 25 to 300°F (-4 to 149°C)  
 High-Temperature Service ..... 25 to 366°F (-4 to 186°C)

**Nominal Spring Range**  
 Fixed Span Standard ..... 5 psig (34 kPa)  
 Fixed Span High Temp ..... 10 psig (69 kPa)  
 Adjustable Start Point ..... 3 to 10 psig (21 to 69 kPa)  
 Factory Setting Standard ..... 3 to 8 psig (21 to 55 kPa)  
 Factory Setting High Temp ..... 10 to 20 psig (69 to 138 kPa)

**Nominal Stroke** ..... 3/4" (20 mm)  
**Max. Diaphragm Pressure** ..... 35 psig (241 kPa)  
**Air Connection** ..... 1/8" NPT  
**Ambient Operating and Storage Temperature** ..... 35 to 180°F (2 to 85°C)  
**Mounting Location** ..... NEMA 1 (Interior Only)

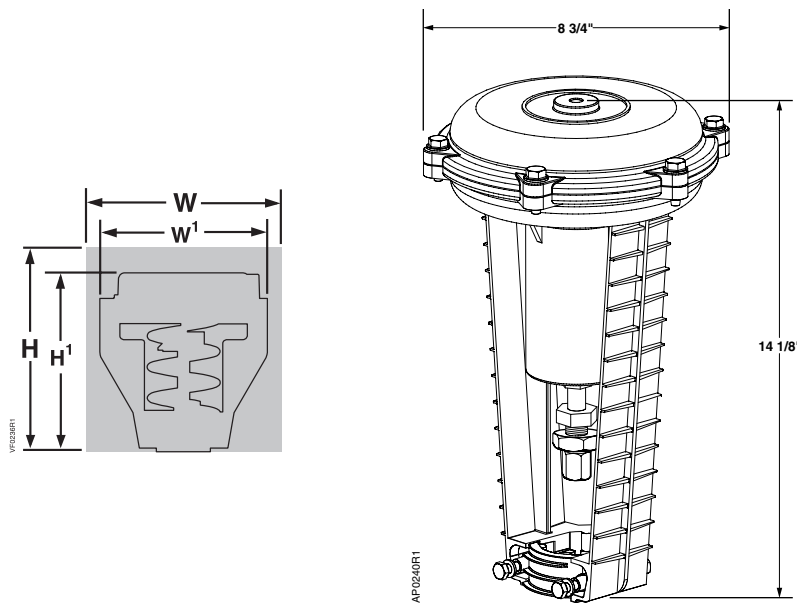
## 8-inch Pneumatic Actuator Product Ordering

Description	Span	Part No.	Actuator Prefix Code
<b>Normal Duty</b>			
Actuator	5 psi	599-01050	277
Actuator and positioner		599-01050 + 599-00426	283
<b>High-Temperature</b>			
Actuator	10 psi	599-01051	278
Actuator and positioner		599-01051 + 599-00426	284

A-180

Valves

## Dimensions



Actuator	Height of Actuator H¹	Service Height H	Width/Diameter of Actuator W¹	Service Width W
8" (171 mm)	14-1/8" (359 mm)	26" (660 mm)	8-3/4" (222 mm) Dia.	21" (450 mm)

**Table Note:**  
 Service height and width are the recommended dimensions to allow access to the product.