

# Centrifugal Blowers

15 to 65 Free Air Output

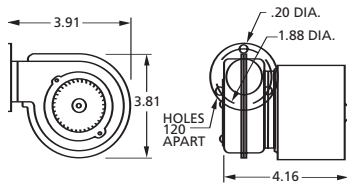


MODEL	CFM AT STATIC PRESSURE SHOWN STATIC PRESSURE (INCHES OF WATER)										NAMEPLATE CFM	VOLTS	FREQ.	NO. OF SPEEDS	RPM@ FREE AIR	AMPS@ FREE AIR	BRNG.
	0.1	0.2	0.3	0.4	0.5	0.6	0.7	0.8	0.9	1							
50745-D500	6.5	—	—	—	—	—	—	—	—	—	15	115	60	1	3100	.2	SLV
A167	30	27	25	5	—	—	—	—	—	—	30	115	60	1	2900	.4	SLV
B30	40	37	32	22	6	—	—	—	—	—	45	115	60	1	3200	.59	SLV
50747-D500	47	42	37	33	21	7	—	—	—	—	60	115	60	1	3200	.52	SLV
50747-D600	47	42	37	33	21	7	—	—	—	—	60	115	60	1	3200	.52	SLV
50747-D230	47	42	37	33	21	7	—	—	—	—	60	208-230	50/60	1	3200	.26	SLV
50747-D401	47	42	37	33	21	7	—	—	—	—	60	115	50/60	1	3200	.49	SLV
50748-D500	64	60	56	52	47	42	37	—	—	—	65	115	60	1	2900	.81	SLV
50748-D700	64	60	56	52	47	42	37	—	—	—	65	115	60	1	2900	.74	SLV
A063	69	65	62	57	52	42	37	30	—	—	65	230	60	1	3100	.6	BALL

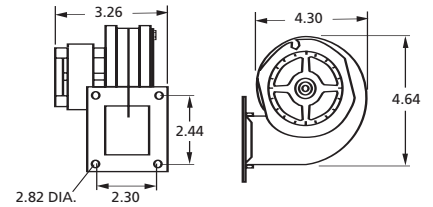
See page 65 for High Static Pressure Blowers.



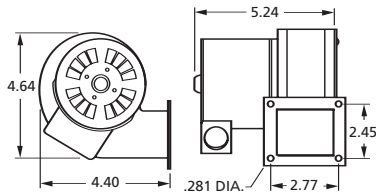
50745-D500



A167



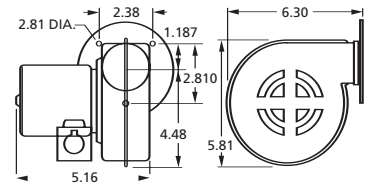
B30



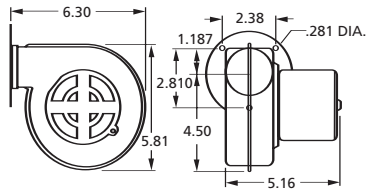
50747-D500

50747-D600

50747-D230



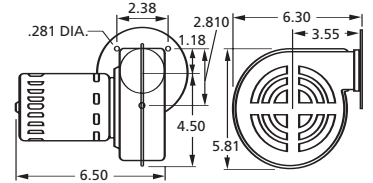
50747-D401



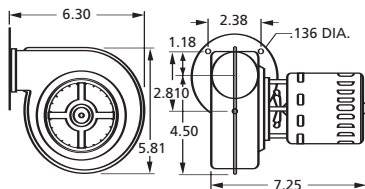
50748-D500



50748-D600

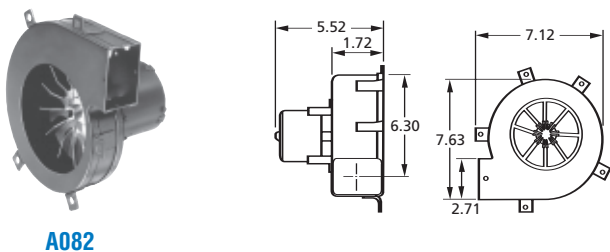
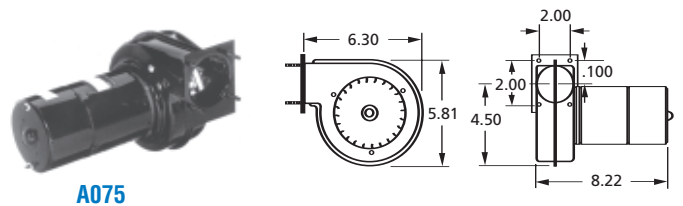
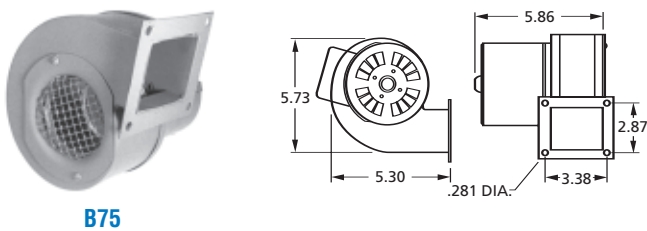
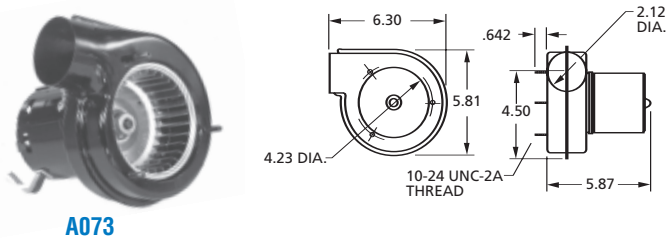
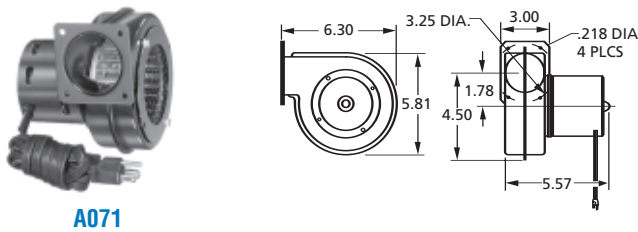
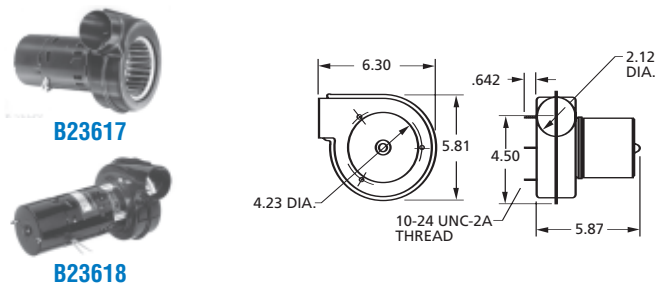
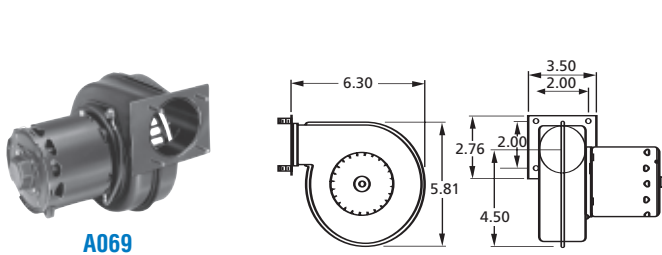


A063



MODEL	CFM AT STATIC PRESSURE SHOWN STATIC PRESSURE (INCHES OF WATER)										NAMEPLATE CFM	VOLTS	FREQ.	NO. OF SPEEDS	RPM@ FREE AIR	AMPS@ FREE AIR	BRNG.
	0.1	0.2	0.3	0.4	0.5	0.6	0.7	0.8	0.9	1							
A069	72	67	63	60	53	52	50	43	40	—	69	208-230	60	1	3000	.45	SLV
B23617	72	67	64	62	57	55	50	46	41	33	70	115/230	60	1	3000	.9/.45	SLV
B23618	72	67	64	62	57	55	50	46	41	33	70	115/208-230	60	1	3000	.95/.45	BALL
A071	70	67	63	58	57	55	51	35	—	—	71	115	60	1	2850	.7	SLV
A073	72	69	67	63	61	57	53	48	43	37	73	115/230	50/60	1	3200	.7/.35	BALL
B75	68	63	57	47	34	14	—	—	—	—	75	115	60	1	3200	.59	SLV
A075	73	69	65	62	58	55	50	45	40	35	75	230	60	1	3200	.4	BALL
A082	66	62	53	52	47	42	23	—	—	—	75	115	60	1	2800	.95	SLV

See page 65 for High Static Pressure Blowers.




Thermally protected • UL recognized • CSA or ULc certified  
**NOTE:** Rotation is determined by looking at shaft end. Shaft length is measured from motor face.

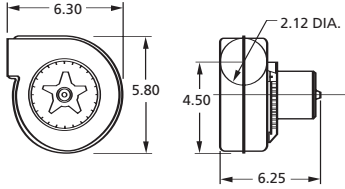



MODEL	CFM AT STATIC PRESSURE SHOWN STATIC PRESSURE (INCHES OF WATER)										NAMEPLATE CFM	VOLTS	FREQ.	NO. OF SPEEDS	RPM@ FREE AIR	AMPS@ FREE AIR	BRNG.
	0.1	0.2	0.3	0.4	0.5	0.6	0.7	0.8	0.9	1							
A081	70	67	64	62	57	53	48	42	—	—	80	230	60	1	3100	.45	BALL
A083	71	68	66	63	59	54	47	43	37	—	83	230	60	1	3000	.8	BALL
50757-D500	80	63	45	—	—	—	—	—	—	—	105	115	60	1	1560	.55	SLV
A166	110	100	95	85	82	60	40	10	—	—	115	115	50/60	1	3200	1.4	SLV
50746-D500	94	87	77	67	48	18	—	—	—	—	120	115	60	1	3100	.72	SLV
A125	110	92	71	—	—	—	—	—	—	—	125	115	60	1	3200	1.1	SLV

See page 65 for High Static Pressure Blowers.

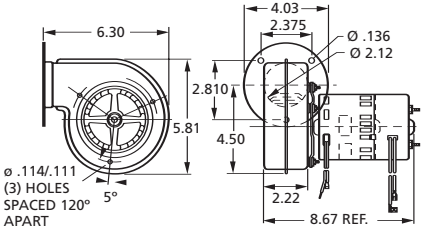



**A081**



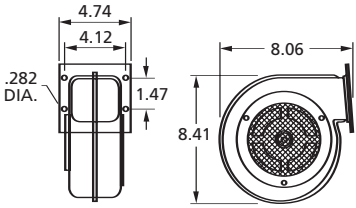



**A083**



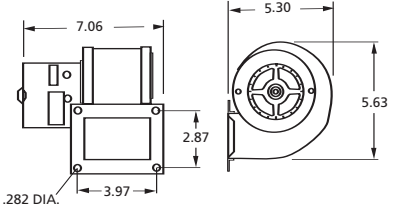



**50757-D500**



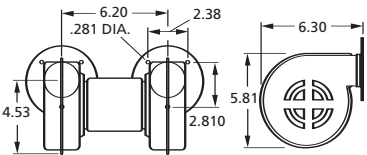



**A166**



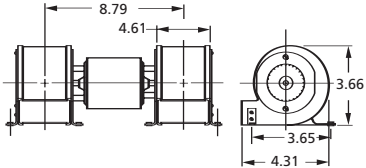


**50746-D500**





**A125**



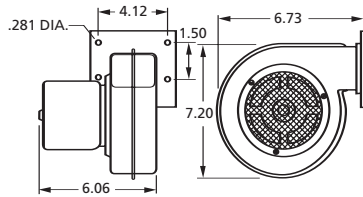


MODEL	CFM AT STATIC PRESSURE SHOWN STATIC PRESSURE (INCHES OF WATER)										NAME-PLATE CFM	VOLTS	FREQ.	NO. OF SPEEDS	RPM@ FREE AIR	AMPS@ FREE AIR	BRNG.
	0.1	0.2	0.3	0.4	0.5	0.6	0.7	0.8	0.9	1							
50752-D500	108	105	97	93	90	83	77	65	32	—	135	115	60	1	3100	1.1	SLV
50752-D230	108	105	97	93	90	83	77	65	32	—	135	208-230	50/60	1	3100	.67	SLV
A159	140	138	118	105	—	—	—	—	—	—	159	230	60	1	1600	.45	BALL
50755-D500	140	128	118	105	—	—	—	—	—	—	160	115	60	1	1600	1	SLV
50755-D230	140	128	118	105	—	—	—	—	—	—	160	208-230	50/60	1	1600	.51	SLV
A161	140	138	118	105	—	—	—	—	—	—	161	230	60	1	1600	.55	BALL
B47120	180/144/112	170/140/109	165/134/106	158/130/100	150/122/90	140/117/76	130/87/58	110/72	90	—	180	115	60	3	1360/1100/830	1.95	SLV
A212	190	173	142	110	70	22	—	—	—	—	212	115	60	1	2500	1.25	SLV
B45227	230	212	191	175	130	27	—	—	—	—	265	115	60	1	1650	1.86	SLV
B45227-2	230	212	191	175	130	27	—	—	—	—	265	230	50/60	1	1650	.93	SLV

See page 65 for High Static Pressure Blowers.



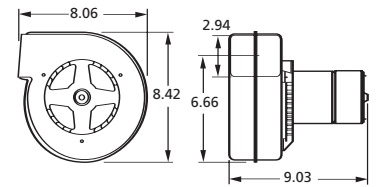
50752-D500,  
50752-D230



Uses model 1-6042 wheel



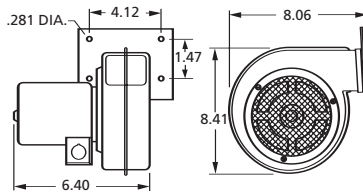
A159



Uses model 1-6053 wheel



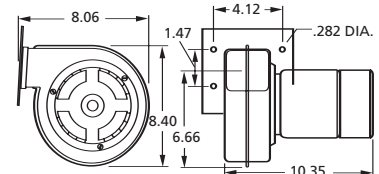
50755-D500,  
50755-D230



Uses model 1-6054 wheel



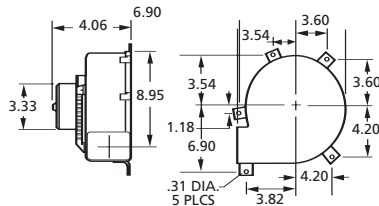
A161



Uses model 1-6053 wheel



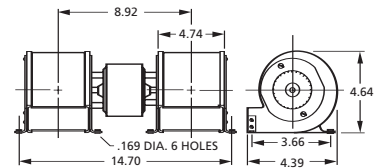
B47120



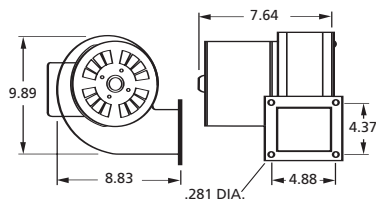
Uses model 1-6066 wheel



A212



B45227, B45227-2



Thermally protected • UL recognized • CSA or ULc certified  
**NOTE:** Rotation is determined by looking at shaft end. Shaft length is measured from motor face.



MODEL	CFM AT STATIC PRESSURE SHOWN STATIC PRESSURE (INCHES OF WATER)										NAMEPLATE CFM	VOLTS	FREQ.	NO. OF SPEEDS	RPM@ FREE AIR	AMPS@ FREE AIR
	0.1	0.2	0.3	0.4	0.5	0.6	0.7	0.8	0.9	1						
<b>50756-D500</b>	245	225	200	160	—	—	—	—	—	—	320	115	60	1	1500	1.3
<b>50756-D230</b>	245	225	200	160	—	—	—	—	—	—	320	230	50/60	1	1500	.65
<b>A455</b>	440/318	417/307	390/290	375/275	350/250	319/228	275/170	231/108	150/75	68/40	455	115	60	2	1500/1100	1.5
<b>B45267</b>	393/356	359/331	318/297	254/240	187/167	64/58	—	—	—	—	460	115	60	2	1600/1400	2.9
<b>B45230</b>	393/356	359/331	318/297	254/240	187/167	64/58	—	—	—	—	460	208-230	50/60	2	1600/1400	1.2
<b>50769-D500</b>	391/331	370/315	349/280	318/273	292/241	250/203	204/138	91/70	47/40	—	480	115	60	2	1200/1400	3.55
<b>50769-D230</b>	391/331	370/315	349/280	318/273	292/241	250/203	204/138	91/70	47/40	—	480	208-230	50/60	2	1200/1400	1.9
<b>B68042</b>	694	674	652	585	557	483	127	51	—	—	815	115	60	1	1100	5.6
<b>A1000</b>	950/-	920/-	880/-	850/799	800/750	730/700	660/640	580/500	300/260	120/120	1000	115/230	60	2	1100/1100	4-2.9/2-1.4

See page 65 for High Static Pressure Blowers.

