

# PRODUCT INFORMATION PACKET



Model No: 6303S

Catalog No: 6303S

EVERGREEN® OM Condenser Fan Motor, 1/3 HP, 1 Ph, 60 Hz, 208-230 V, 825/1075 RPM, 2 Speed, 48 Frame, CLOSED AO



Regal and Genteq are trademarks of Regal Rexnord Corporation or one of its affiliated companies.  
©2024 Regal Rexnord Corporation, All Rights Reserved. MC017097E





**Nameplate Specifications**

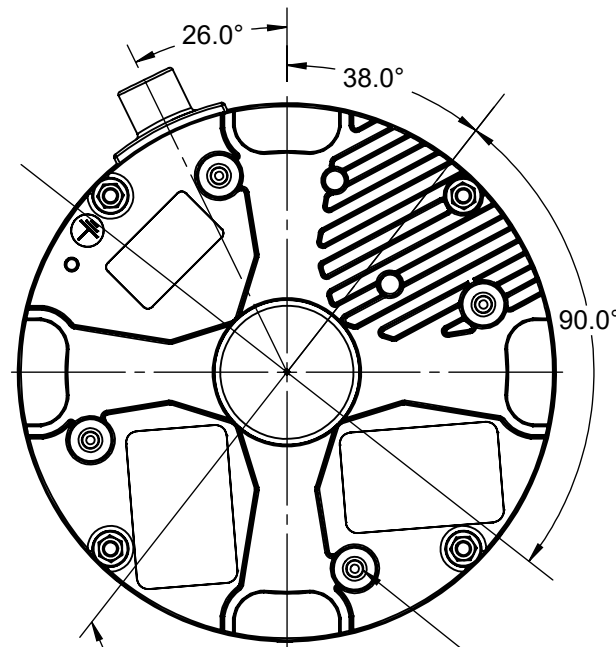
Phase	1	Output HP	1/3 Hp
Voltage	208-230 V	Speed	825/1075 rpm
Service Factor	1	Frame	48
Enclosure	Totally Enclosed Air Over	Thermal Protection	No Protection
Ambient Temperature	40 °C	Frequency	60 Hz
Current	2.8 A	Duty	Continuous Air Over
Insulation Class	B	UL	No
CSA	N	CE	N
Number of Speeds	2		

**Technical Specifications**

Electrical Type	Electronically Commutated Motor	Poles	10
Rotation	Counterclockwise/Clockwise	Mounting	Extended Studs
Motor Orientation	Vsd	Drive End Bearing	Ball
Opp Drive End Bearing	Ball	Frame Material	Rolled Steel
Shaft Type	Flat	Overall Length	10.98 in
Frame Length	2.82 in	Shaft Diameter	0.500 in
Shaft Extension	6.50 in		
Outline Drawing	5SFA39CLP0200	Connection Drawing	N/R

This is an uncontrolled document once printed or downloaded and is subject to change without notice. Date Created:05/06/2024

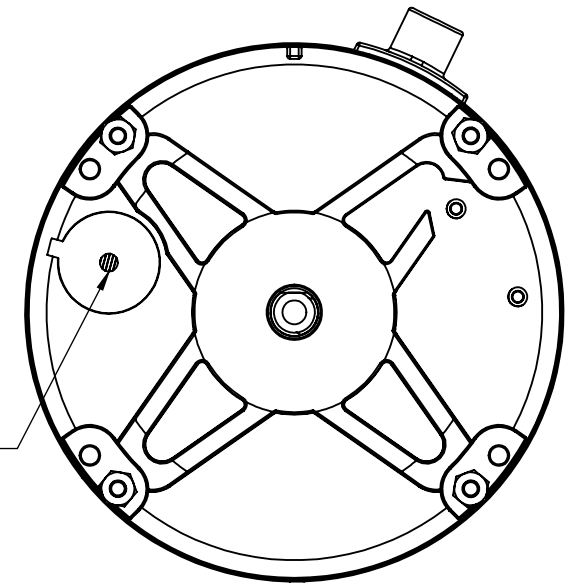
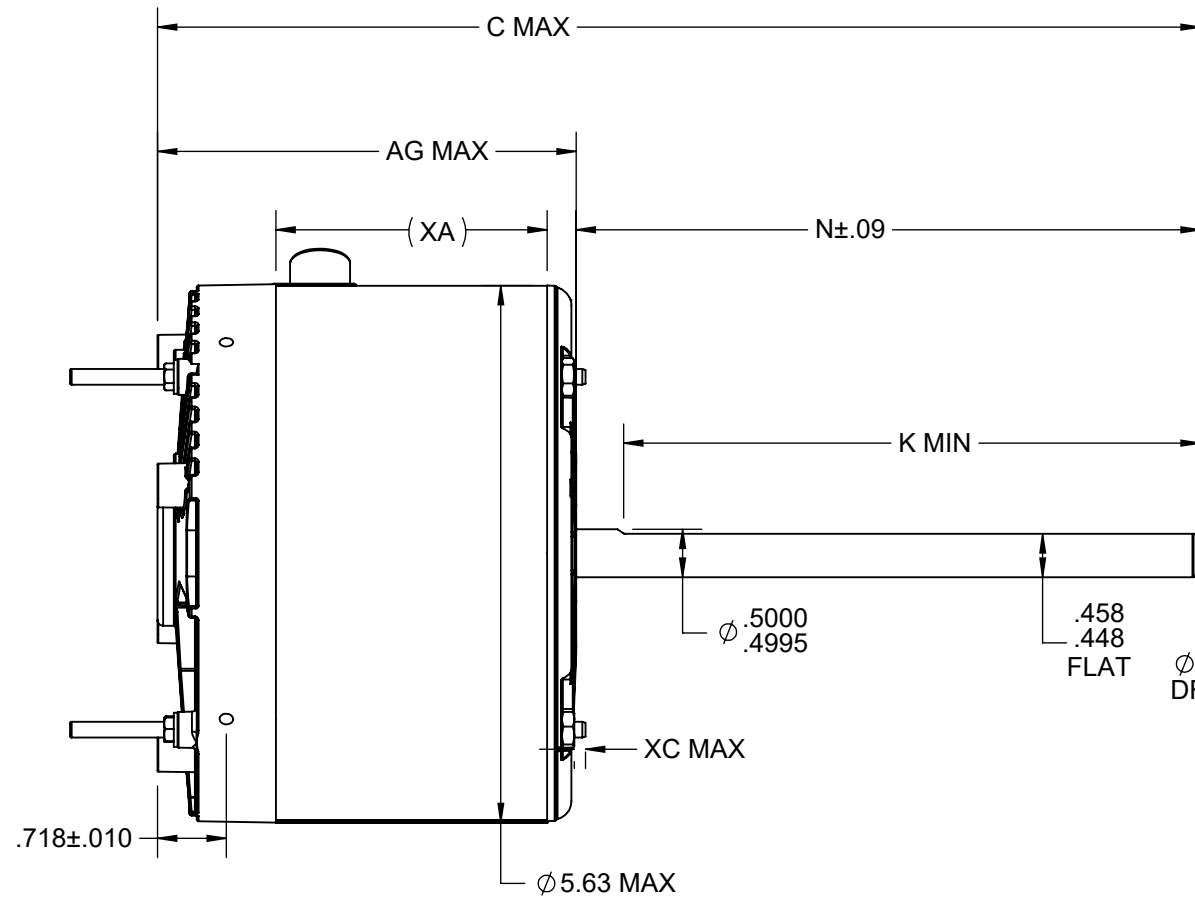
4		3		2				1	
COLOR	TERMINAL	LEAD LENGTH	CUSTOMER CONNECTOR	OPTION 1	OPTION 2	OPTION 3	OPTION 4	NAMEPLATE DATA	
BLACK	0.25 PIGGY BACK UNINSULATED	54"	L1	208-230 VAC	208-230 VAC	208-230 VAC	208-230 VAC	MODEL	5SFA39CLP0200
WHITE	0.25 QUICK CONNECT UNINSULATED	54"	L2	208-230 VAC	208-230 VAC	208-230 VAC	208-230 VAC	CUSTOMER P/N	6303S
GREEN	#10 EYELET NON- INSULATED	54"	GROUND	GND	GND	GND	GND	HP	1/3
YELLOW	0.25 QUICK CONNECT INSULATED	54"	HV1-SPEED	208-230 VAC	208-230 VAC	N.A	N.A	RPM/TORQUE	825/1075
PURPLE	BULLET CONNECTOR	54"	HV2-DIRECTION	208-230 VAC	N.A	208-230 VAC	N.A	VOLTS	208-230
ROTATION				CCW	CW	CCW	CW	HZ	60/50
RPM				1075	1075	825	825	AMPS	2.8
								ROTATION	CCW/CW
								NP LABEL	WHITE COLOR
								MOUNTING	VSD



(4)  $\phi$  .144/.140 HOLES  
90° APART WITH  
1/4-8-18 THRD  
FORM SCREWS

4 MOUNTING HOLES FOR  
#10THREAD FORMING SCREW  
90° APART ,0.38"MIN  
DEEP ON 4.330 BC

VENTILATION SYSTEM	
SHELL VENTS	CLOSED
ENDSHIELD(LE)	N/A
ENDSHIELD(OLE)	CLOSED



10.98	6.50	6.00	2.825	4.39	.14	.85
C	N	K	XA	AG	XC	XD

DRAWING REVISION AC	REVISION BY NIKHIL.V	REV DATE/© DATE 04/01/2024
REQUEST NUMBER ECR-0232778	APPROVED BY MATT.K	DATE 04/01/2024
REQUEST NUMBER DESCRIPTION UPDATED NP VOLTS		

COPYRIGHT (PER REVISION DATE) REGAL BELOIT AMERICA, INC. ALL RIGHTS RESERVED. PROPRIETARY AND CONFIDENTIAL INFORMATION - THIS DOCUMENT IS THE PROPERTY OF REGAL BELOIT AMERICA, INC. ("OWNER") AND CONTAINS OWNER'S PROPRIETARY INFORMATION. ANY PERSON, CORPORATION OR OTHER FIRM RECEIVING IT IS DEEMED, BY RECEIVING IT, TO AGREE THAT IT, AND/OR ANY PART OF IT, SHALL NOT BE DISCLOSED TO ANY PERSON, CORPORATION OR OTHER ENTITY, DUPLICATED, AND/OR USED, EXCEPT AS EXPRESSLY APPROVED IN WRITING IN ADVANCE BY OWNER. THIS DOCUMENT SHALL BE RETURNED TO OWNER UPON REQUEST. IT MAY BE SUBJECT TO CERTAIN RESTRICTIONS UNDER APPLICABLE EXPORT CONTROL LAWS AND REGULATIONS.

PRIMARY DIMENSIONS ARE INCH  
mm DIMENSIONS IN [BRACKETS]  
ARE FOR REFERENCE ONLY

DRAWN BY NIKHIL.V	Regal Rexnord	Regal Beloit America, Inc.
DATE 03/16/2023		
APPROVED BY	DESCRIPTION	
DATE	OUTLINE EVERGREEN OM	
REFERENCE	MATERIAL	PROCESS/FINISH
THIRD ANGLE PROJECTION	SIZE B	DRAWING NUMBER 5SFA39CLP0200
		SHEET 1 OF 1

**Regal  
Rexnord**

Regal Beloit America, Inc.

OUTLINE  
EVERGREEN OM

SIZE B DRAWING NUMBER 5SFA39CLP0200

SHEET 1 OF 1