

Diaphragm Replacement Kits for Powermite 656 and 599 MT Series Valve Actuators

Product Description

This kit has five replacement diaphragms for either the Powermite VP656 or the Powermite 599 MT Series valve actuators.



Content

Each kit contains five diaphragms and five cover screws.

Product Number

656-736

Warning/Caution Notations

WARNING		Personal injury/loss of life may occur if a procedure is not performed as specified.
CAUTION		Equipment damage, or loss of data may occur if the user does not follow procedure as specified.

Required Tools

- Flat blade screwdriver or #2 Phillips screwdriver, depending on the model

Expected Installation Time

15 minutes

Prerequisites



WARNING:

Remove and cap the air line to the actuator before removing the upper housing of the actuator.



WARNING:

Shut off the water supply to the valve.

Installation

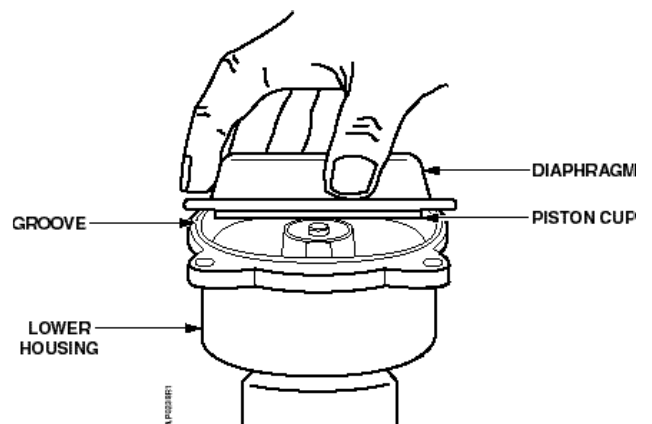


Figure 1. Replacing the Diaphragm on a Powermite Actuator.

1. Use a Phillips head screwdriver to remove the four screws in the upper housing. Keep the screws and the upper housing.
2. Lift off the diaphragm and the piston cup.

Installation, Continued

3. Remove and discard the old diaphragm.
4. Turn the new diaphragm so that the word "TOP" is on the outside. See Figure 2.

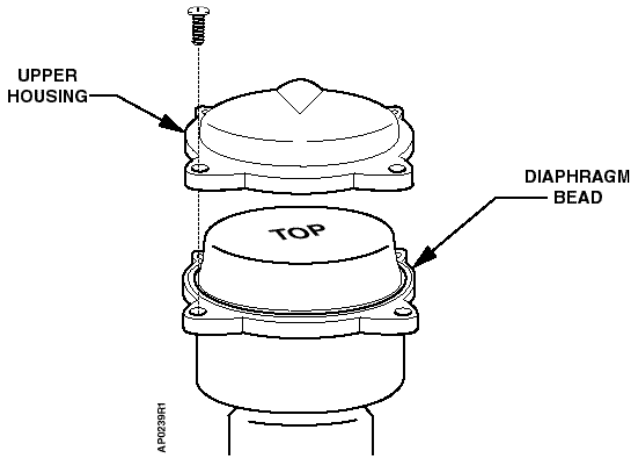


Figure 2. Diaphragm with "TOP" in Proper Position.

5. Place the new diaphragm over the piston cup.
6. Place the piston cup and diaphragm on the lower housing so that the diaphragm bead will fit into the groove of the lower housing.
7. Place the upper housing on the lower housing and fasten with the four screws.
8. Connect the air line.

The replacement is now complete.

References

Technical Instructions

VP 656-3 Powermite Three-way Mixing Valves
(Flared Type)
155-086P25

VP 656-5 Powermite Two-Way Flared Valves
Normally Open/Normally Closed
155-311P25

AP 599-4 Powermite 599 MT Series 2-inch
Pneumatic Valve Actuator
155-189P25

Information in this publication is based on current specifications. The company reserves the right to make changes in specifications and models as design improvements are introduced. Product or company names mentioned herein may be the trademarks of their respective owners. © 2009 Siemens Industry, Inc.