



**Class 69ES–PRO CONTROL™**

Developed for use by water well professionals, the Furnas brand PRO CONTROL pressure switch answers the professional installer's need for rugged, reliable control with no cutting corners on quality. Built for direct use on all types of pumps up to 5 HP and for use in the control circuit of a magnetic starter for larger pumps. The features of PRO CONTROL make it standard equipment on some of the world's finest pumps.

**Furnas Brand Class 69ES Switch Standard Features Include:**

- 100% copper contacts
- Extra wide diaphragm orifice reduces clogging
- Roomy wiring space
- Visible contacts
- Enclosed, state of the art switch mechanism
- Rugged, non-metallic cover
- Two large ground screws
- UL listed file #14861
- CSA certified file #LR36854

**69ES Water Systems**

**Discount Schedule E87**

Min. Close Cut-In	Max. Open Cut-Out	Differential Range	Pressure Setting Adjustment	Horsepower			Factory Setting	NEMA 1 General Purpose Cat No.	Price \$
				1 Phase		3 Phase			
				120V	240V	240V			
10 psi	80 psi	15-25 psi	See table (below)	1.5	2.0	3.0	30-50	<b>69ES1</b>	<b>23.50</b>
10 psi	80 psi	15-25 psi	See table (below)	2.0	3.0	5.0	30-50	<b>69ES2</b>	<b>34.50</b>

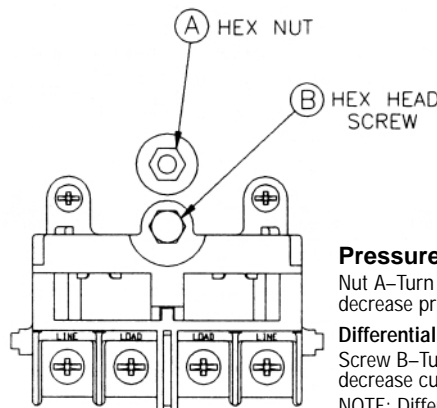
**69ES Modifications**

Description	Catalog Number Suffix Add suffixes in order shown	Price Addition \$ 24 Switches Minimum
1/4" quick connects (load terminal only)	A	<b>1.00</b>
Pulsation orifice	B	<b>1.00</b>
Two rubber grommets for 1/2" conduit hole	G	<b>3.00</b>
<b>Pipe Fittings</b>		
1/4" male NPT	2A	<b>N/C</b>
1/8" female NPT	2B	<b>3.00</b>
3/8" female NPT	2J	<b>N/C</b>
Straight mini barb for 1/4" plastic tube	2M	<b>3.00</b>
90° mini barb for 1/4" plastic tube	2T	<b>4.00</b>
Special pressure settings: Suffix Z is followed by setting Example: 69ES1Z2040	Z†	<b>N/C</b>

† See Instruction Sheet included with switch for manual adjusting instructions.

**PSI Table**

Cut-In A	Cut-Out–B	
	Min.	Max.
10	25	35
15	30	40
20	35	45
30	45	55
40	55	65
50	65	75
60	75	80
65	80	80



**Pressure Adjustment Settings**

Nut A–Turn clockwise to increase and counterclockwise to decrease pressure range (both cut-in and cut-out).

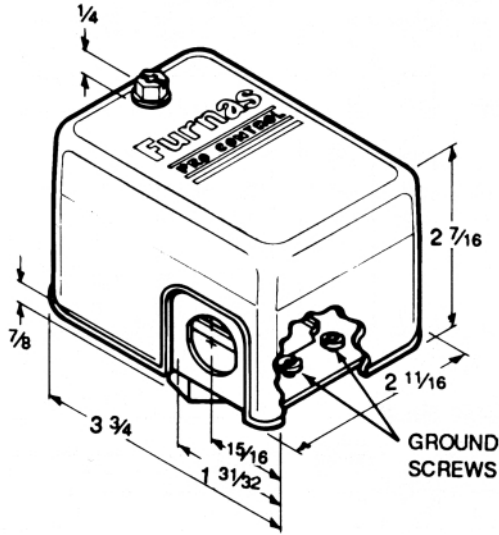
**Differential Adjustment**

Screw B–Turn clockwise to increase and counterclockwise to decrease cut-out pressure.

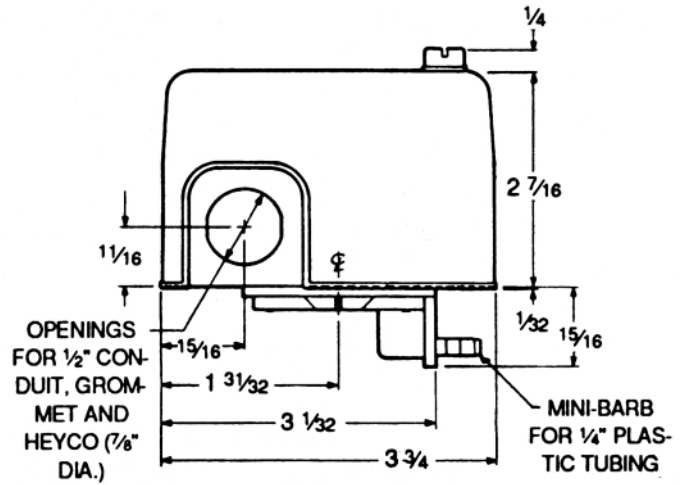
NOTE: Differentials shown on tables above are averages only.



**69ES Dimensions**



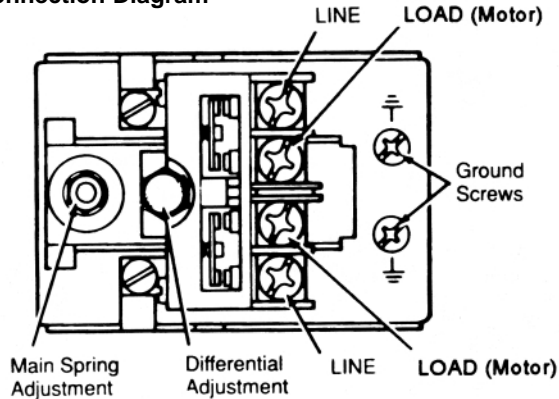
**69ES with 90° Mini Barb Dimensions**



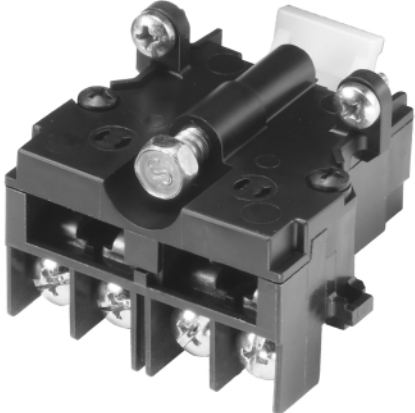
**Electrical Ratings**

Cat. No.	Control Circuit	Horsepower			
		1 Phase 112V	240V	3Phase 240V	DC 32V-230V
69ES1	A600	1.5	2.0	3.0	1/4
69ES2	A600	2.0	3.0	5.0	1/2

**Connection Diagram**



**Replacement Parts**

	Description		Cat No.	Price \$
	Contact cartridge complete with contacts	For 69ES1		<b>75ES1</b>
For 69ES2			<b>75ES2</b>	<b>32.00</b>
Grommets for 1/2" conduit hole			<b>D00492001</b>	<b>1.50</b>
Box connector for non-metallic cable fits 1/2" conduit hole			<b>D35274001</b>	<b>2.00</b>
Plastic pulsation plug			<b>D20909001</b>	<b>1.00</b>



**Hubbell Industrial Controls, Inc.**

A subsidiary of Hubbell Incorporated

4301 Cheyenne Dr., Archdale, NC 27262

Telephone (336) 434-2800 • Fax (336) 434-2803

<http://www.hubbell-icd.com>

[Sales@hubbell-icd.com](mailto:Sales@hubbell-icd.com)