
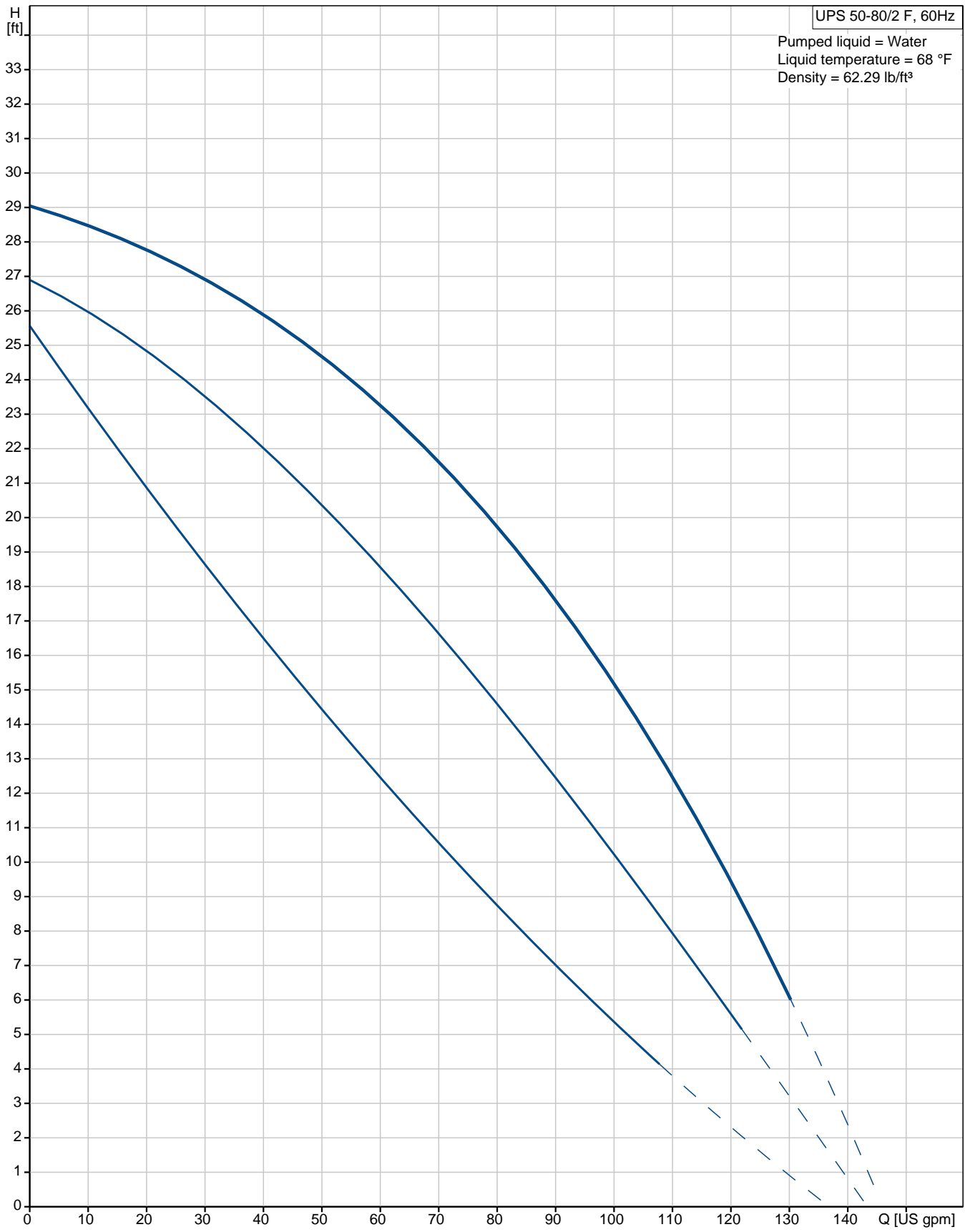


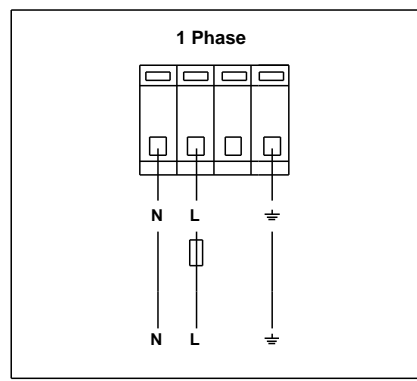
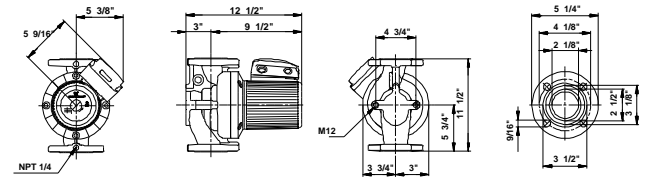
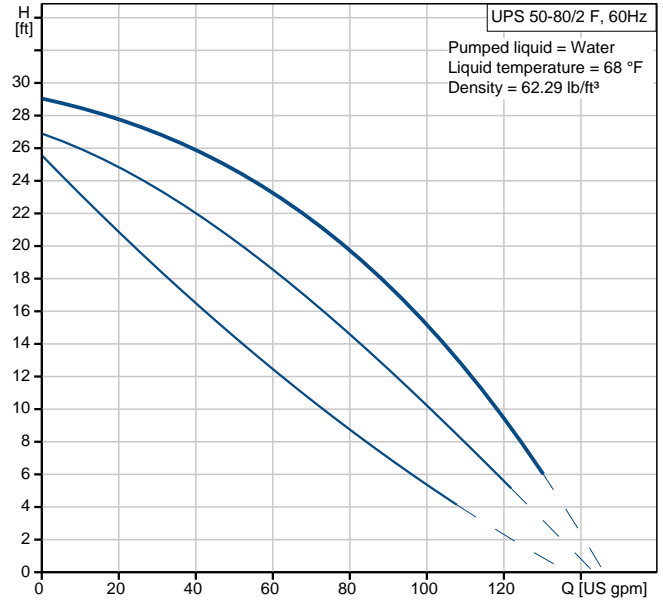
Position	Count	Description
	1	<p data-bbox="380 159 542 189">UPS 50-80/2 F</p>  <p data-bbox="764 506 1218 527">Product photo could vary from the actual product</p> <p data-bbox="380 537 643 558">Product No.: 96402836</p> <p data-bbox="380 569 906 680">The pump is of the canned rotor type, i.e. pump and motor form an integral unit without shaft seal and with only two gaskets for sealing. The bearings are lubricated by the pumped liquid.</p> <p data-bbox="380 716 906 800">In order to avoid problems in connection with disposal, great importance has been attached to using as few different materials as possible.</p> <p data-bbox="380 835 708 856">The pump is characterized by:</p> <ul data-bbox="415 863 870 1094" style="list-style-type: none"> * 3 speed motor. * Ceramic radial bearings. * Carbon axial bearing. * Stainless steel rotor can, bearing plate and rotor cladding. * Aluminium alloy stator housing. * Cast iron pump housing. * Stator with built-in thermal switch. <p data-bbox="380 1129 708 1150">The motor is a 1-phase motor.</p> <p data-bbox="380 1186 886 1304">The pump is supplied with a standard module in the terminal box. The standard module is to be connected to the mains supply via external contactor.</p> <p data-bbox="380 1339 488 1360">Controls:</p> <p data-bbox="380 1367 841 1388">Relay: with relay</p> <p data-bbox="380 1423 461 1444">Liquid:</p> <p data-bbox="380 1451 867 1472">Liquid temperature range: 14 .. 248 °F</p> <p data-bbox="380 1507 500 1528">Technical:</p> <p data-bbox="380 1535 789 1556">Approvals on nameplate: CUL</p> <p data-bbox="380 1591 493 1612">Materials:</p> <p data-bbox="380 1619 935 1682">Pump housing: Cast iron EN-JL1040 ASTM 35 B - 40 B</p> <p data-bbox="380 1717 935 1801">Impeller: Stainless steel DIN W.-Nr. 1.4301 AISI 304</p> <p data-bbox="380 1837 516 1858">Installation:</p> <p data-bbox="380 1864 867 1885">Range of ambient temperature: 32 .. 104 °F</p>

Position	Count	Description
		Maximum operating pressure: 145 psi Flange standard: USA Type of connection: F Pipe connection: GF 50 Pressure stage: 145 psi Port-to-port length: 11 1/2 in Electrical data: Number of poles: 2 C run: 16 µF Power input in speed 1: 600 W Power input in speed 2: 610 W Max. power input: 630 W Main frequency: 60 Hz Rated voltage: 1 x 230 V Current in speed 1: 2.9 A Current in speed 2: 2.85 A Current in speed 3: 2.95 A Cos phi in speed 1: 0,9 Cos phi in speed 2: 0,93 Cos phi: 0,94 Capacitor size - run: 16 µF/400 V Enclosure class (IEC 34-5): X4D Insulation class (IEC 85): H Others: Net weight: 48.7 lb Gross weight: 54.2 lb Shipping volume: 2.08 ft³

96402836 UPS 50-80/2 F 60 Hz



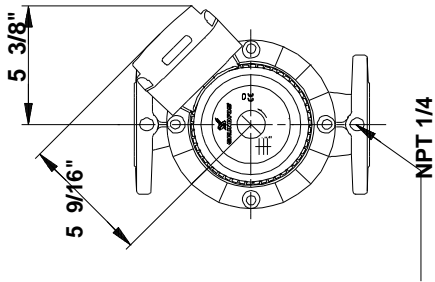
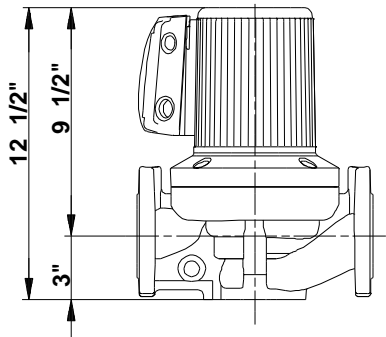
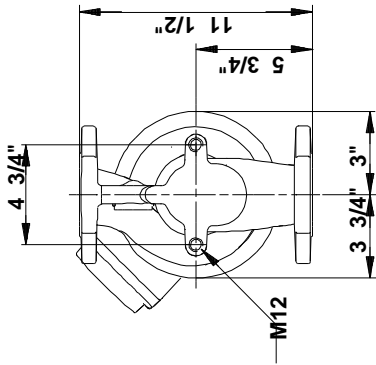
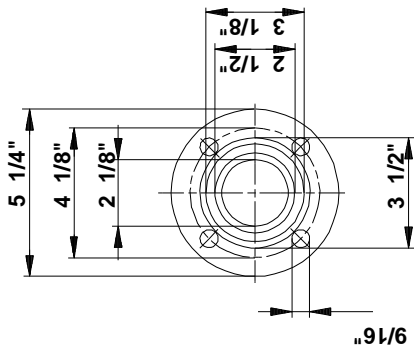
Description	Value
General information:	
Product name:	UPS 50-80/2 F
Position:	
Product No.:	96402836
EAN:	5700390683276
Price:	On request
Technical:	
Speed Number:	3
Head max:	26.2 ft
Approvals on nameplate:	CUL
Model:	C
Materials:	
Pump housing:	Cast iron EN-JL1040 ASTM 35 B - 40 B
Impeller:	Stainless steel DIN W.-Nr. 1.4301 AISI 304
Installation:	
Range of ambient temperature:	32 .. 104 °F
Maximum operating pressure:	145 psi
Flange standard:	USA
Type of connection:	F
Pipe connection:	GF 50
Pressure stage:	145 psi
Port-to-port length:	11 1/2 in
Liquid:	
Liquid temperature range:	14 .. 248 °F
Electrical data:	
Number of poles:	2
C run:	16 µF
Power input in speed 1:	600 W
Power input in speed 2:	610 W
Max. power input:	630 W
Main frequency:	60 Hz
Rated voltage:	1 x 230 V
Current in speed 1:	2.9 A
Current in speed 2:	2.85 A
Current in speed 3:	2.95 A
Cos phi in speed 1:	0,9
Cos phi in speed 2:	0,93
Cos phi:	0,94
Capacitor size - run:	16 µF/400 V
Enclosure class (IEC 34-5):	X4D
Insulation class (IEC 85):	H
Motor protection:	CONTACT
Thermal protec:	internal
R a:	8.3 - 10.8 ohm
R s1:	2.2 - 2.9 ohm
R s2:	5.05 - 6.65 ohm
Controls:	
Relay:	with relay
Pos term box:	1.30H
Others:	
Net weight:	48.7 lb
Gross weight:	54.2 lb
Shipping volume:	2.08 ft³
Sales region:	Namreg



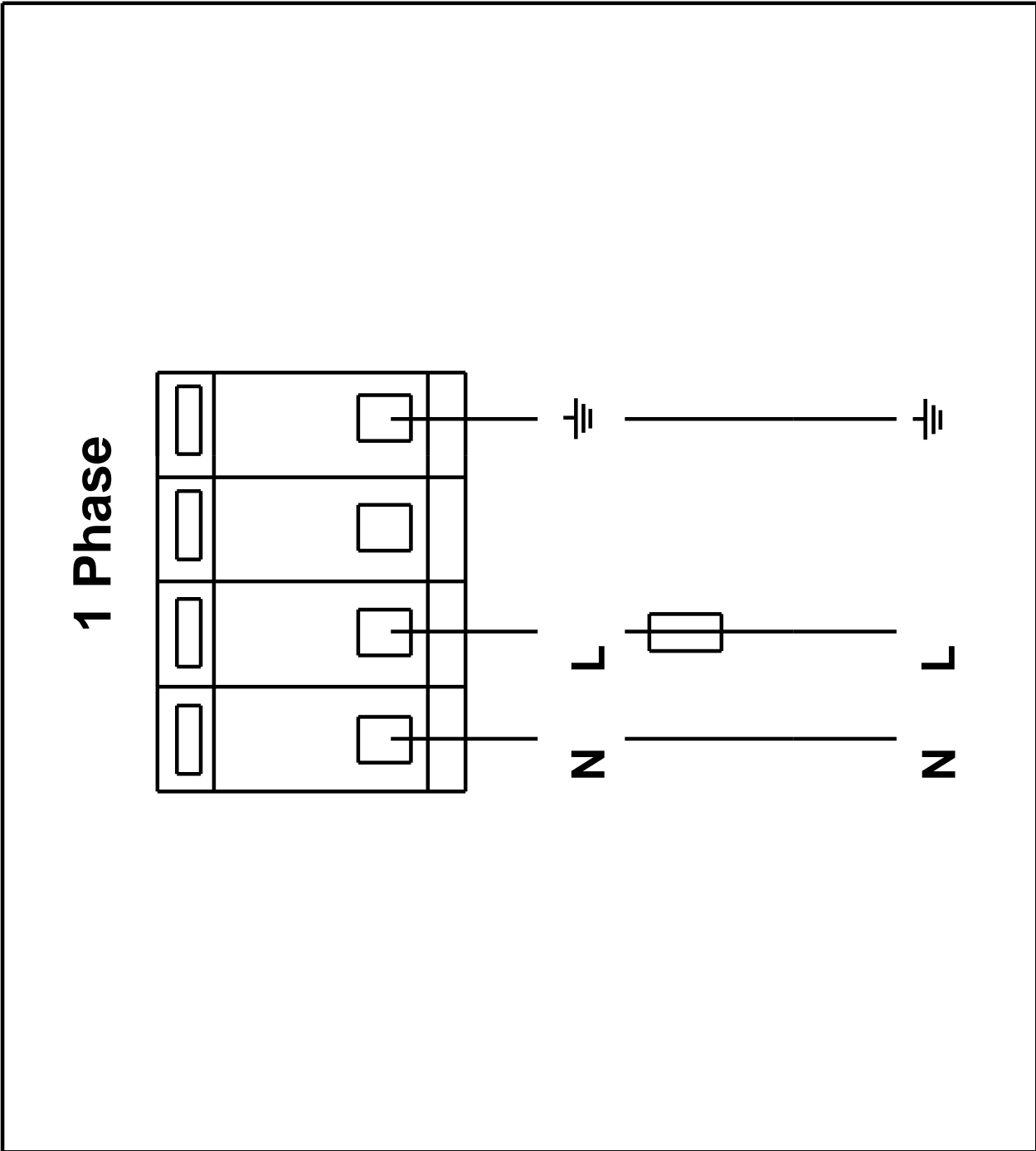
Description

Value

96402836 UPS 50-80/2 F 60 Hz



Note! All units are in [mm] unless otherwise stated.
 Disclaimer: This simplified dimensional drawing does not show all details.



All units are [mm] unless otherwise presented.