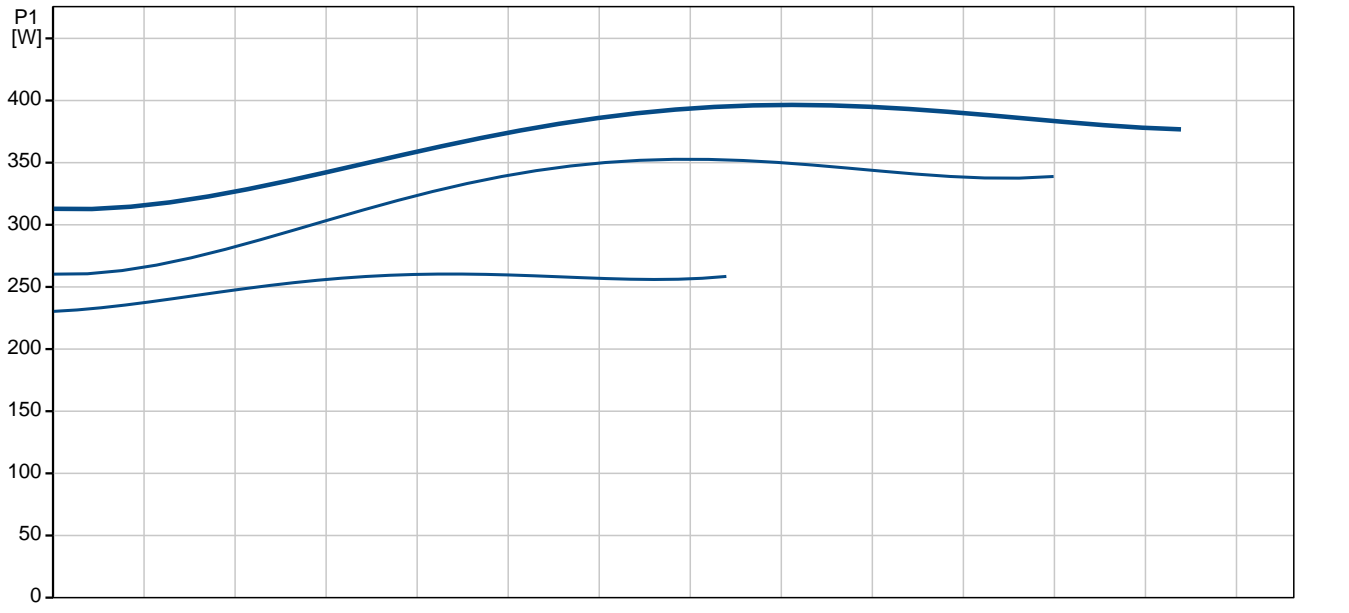
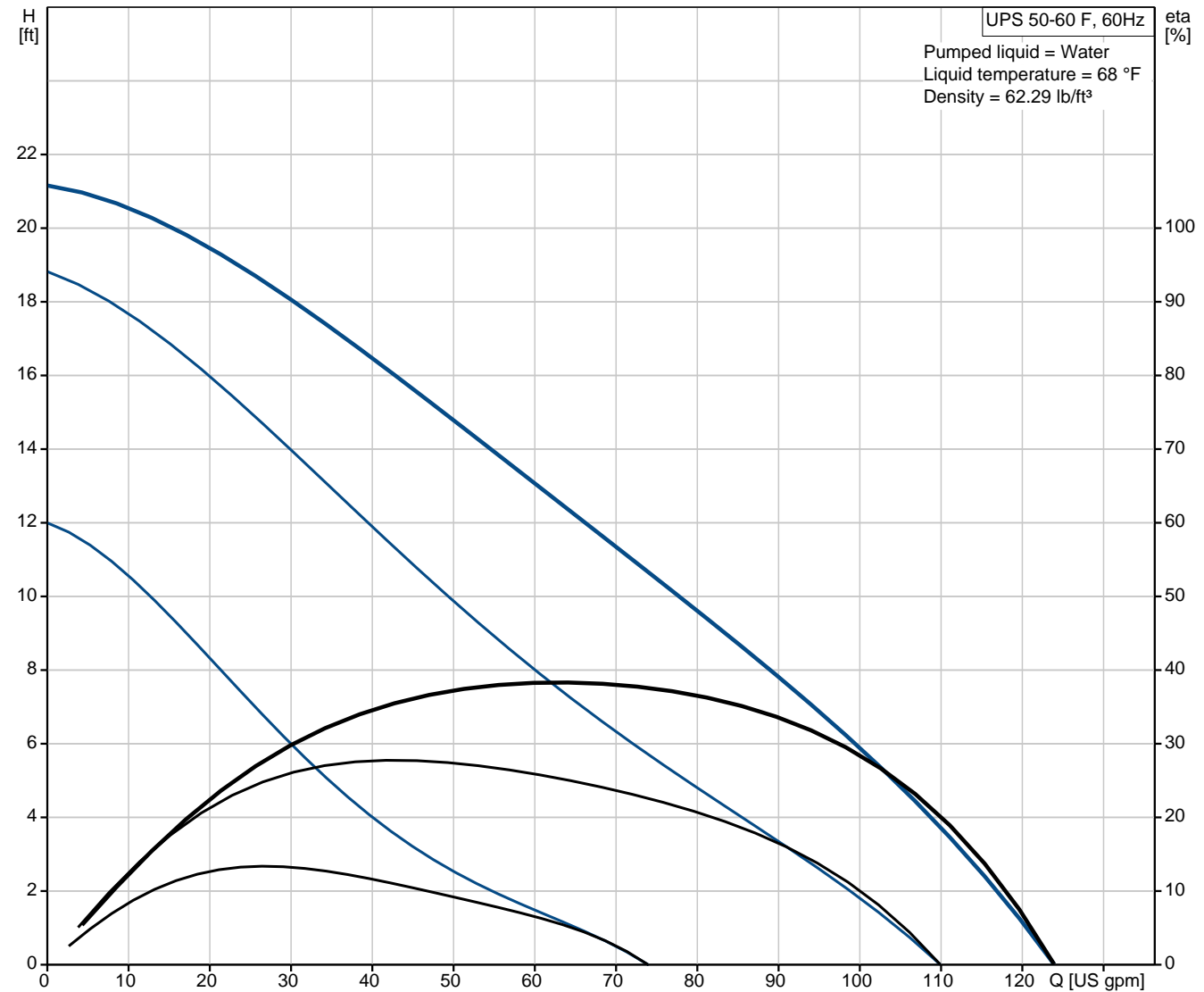
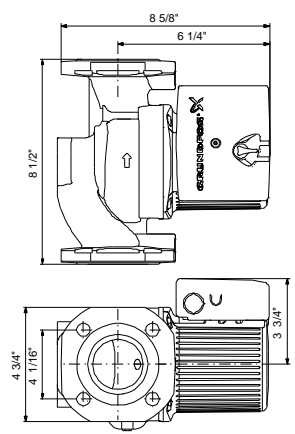
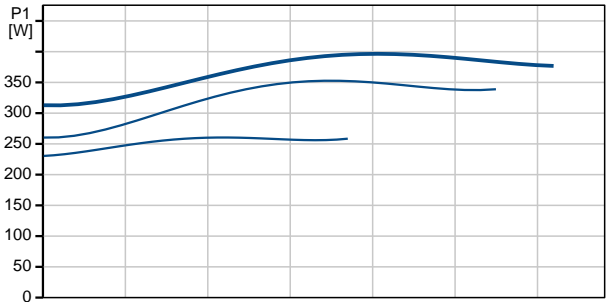
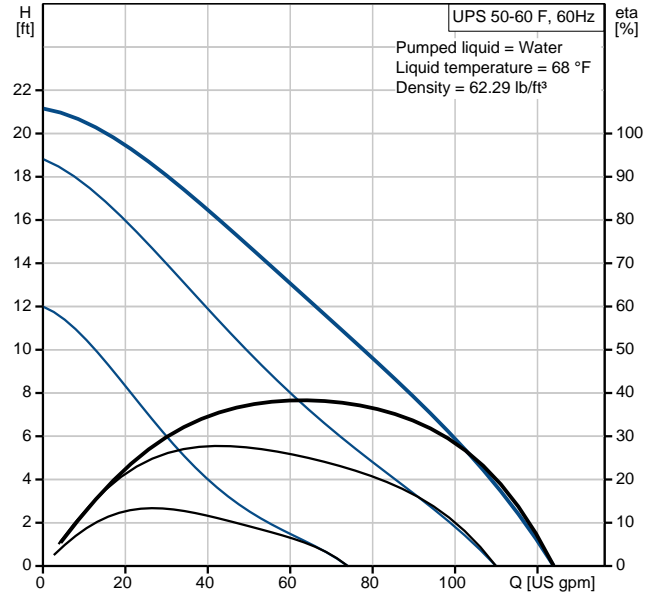


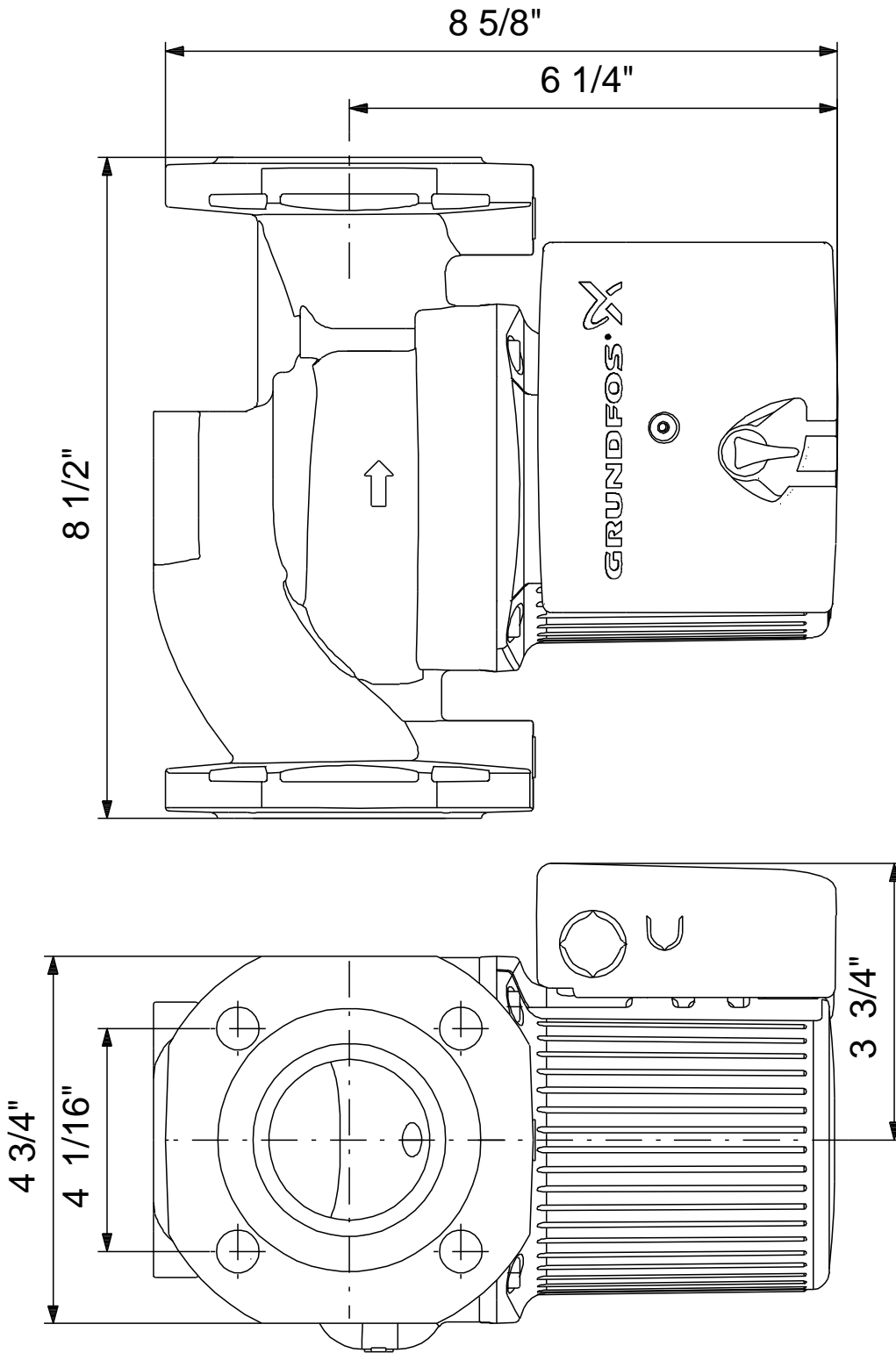
97523134 UPS 50-60 F 60 Hz



Description	Value
General information:	
Product name:	UPS 50-60 F
Position	
Product No.:	97523134
EAN:	5700317647497
Price:	On request
Technical:	
Speed Number:	3
Max flow:	124 US gpm
Head max:	21.3 ft
Approvals on nameplate:	ETL, CSA
Materials:	
Pump housing:	Cast iron
	EN-GJL-200
Impeller:	Composite, PES
Installation:	
Maximum ambient temperature:	104 °F
Ambient max at 176°F liquid:	176 °F
Maximum operating pressure:	145 psi
Flange standard:	USA Oval
Type of connection:	C.I. Flange
Pipe connection:	4 - Bolt Flange
Pressure stage:	10
Port-to-port length:	8 1/2 in
Liquid:	
Liquid temperature range:	32 .. 230 °F
Electrical data:	
Number of poles:	2
C run:	40 µF
Power input in speed 1:	260 W
Power input in speed 2:	350 W
Max. power input:	395 W
Rated power - P2:	0.33 HP
Main frequency:	60 Hz
Rated voltage:	1 x 115 V
Current in speed 1:	2.7 A
Current in speed 2:	3.4 A
Current in speed 3:	3.6 A
Capacitor size - run:	40 µF/180 V
Insulation class (IEC 85):	H
Motor protection:	CONTACT
Thermal protec:	internal
Controls:	
Pos term box:	9H
Others:	
Gross weight:	21.2 lb



97523134 UPS 50-60 F 60 Hz



Note! All units are in [mm] unless otherwise stated.
Disclaimer: This simplified dimensional drawing does not show all details.