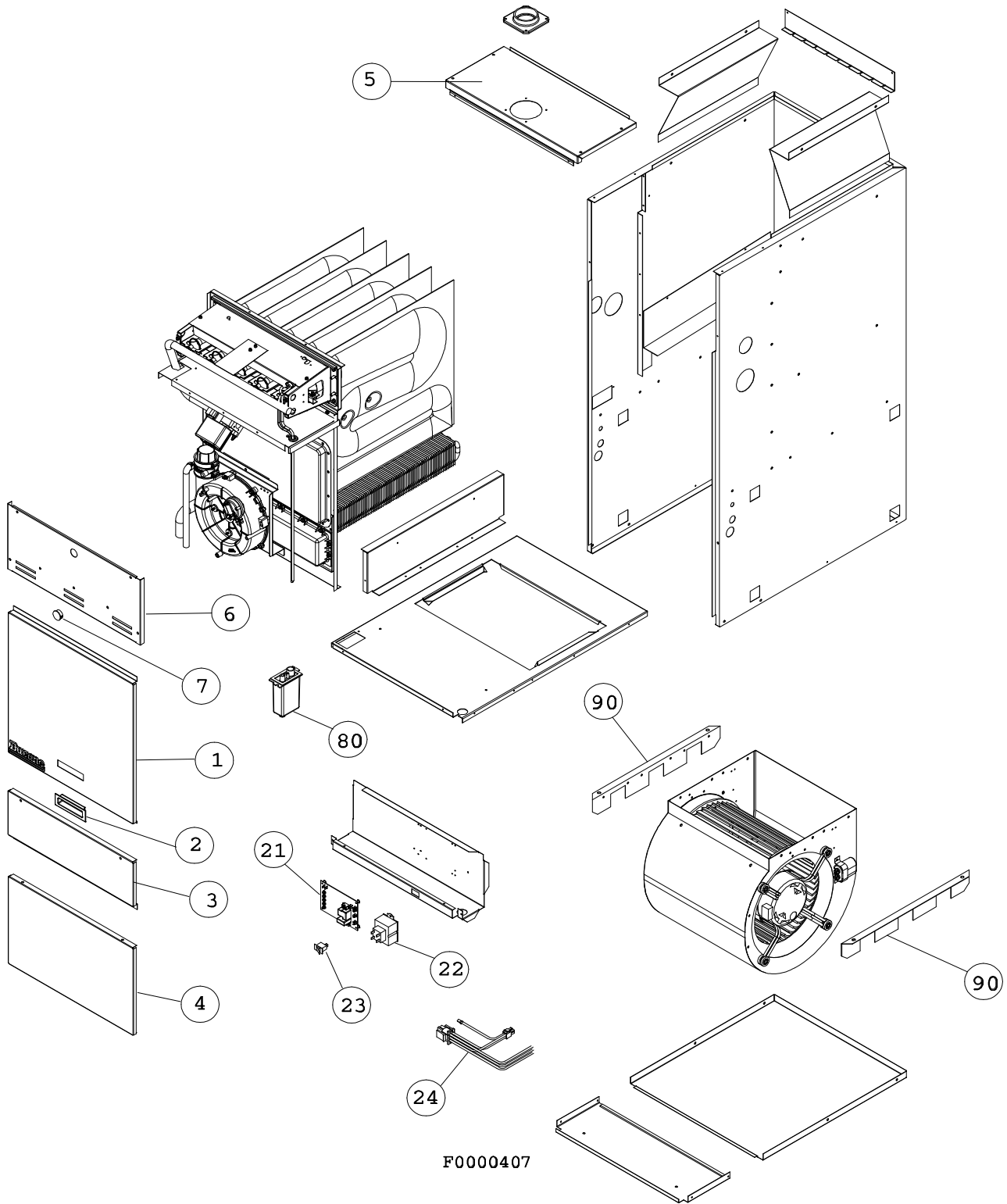
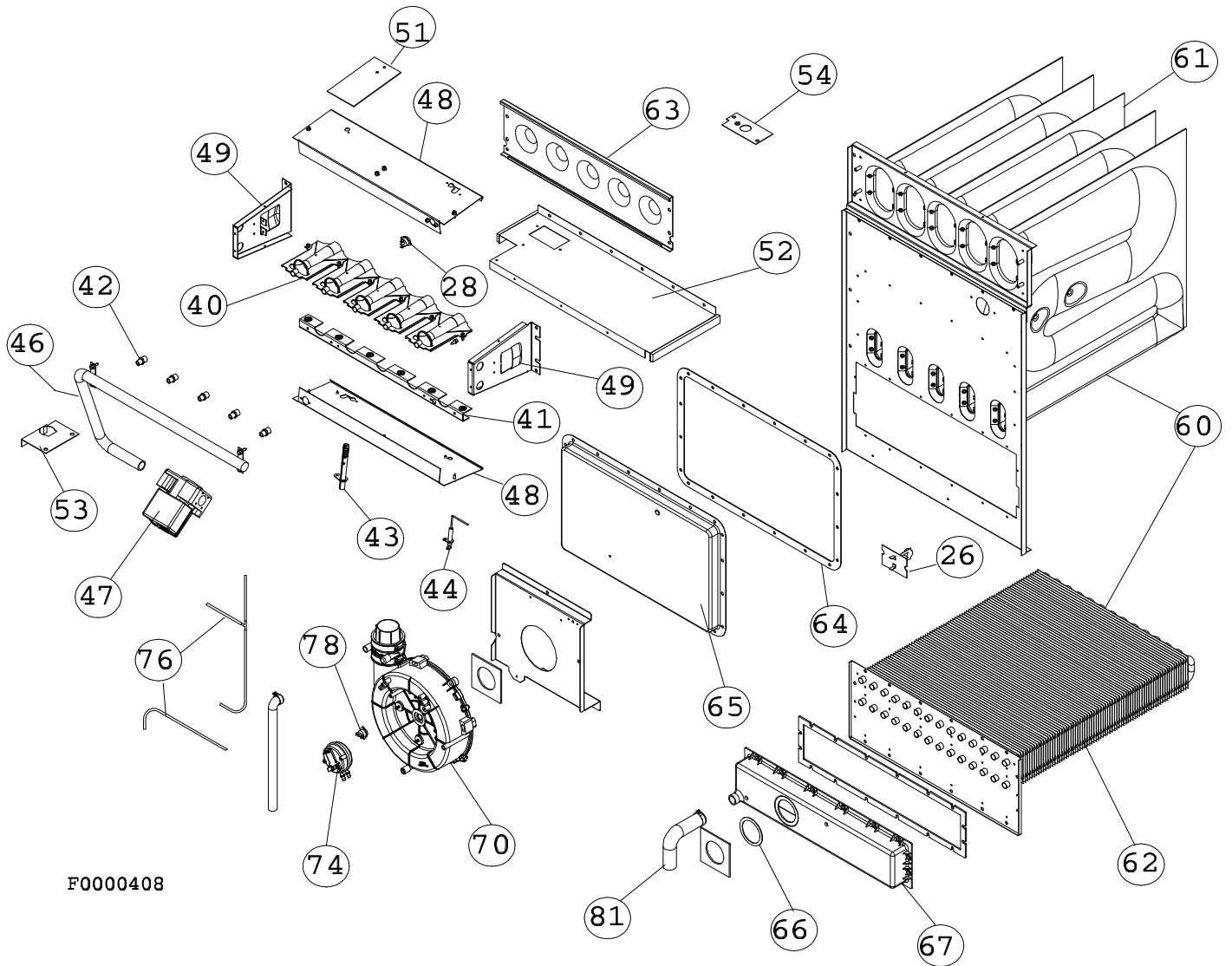


CMPE-U-B MULTI-POISE SERIES

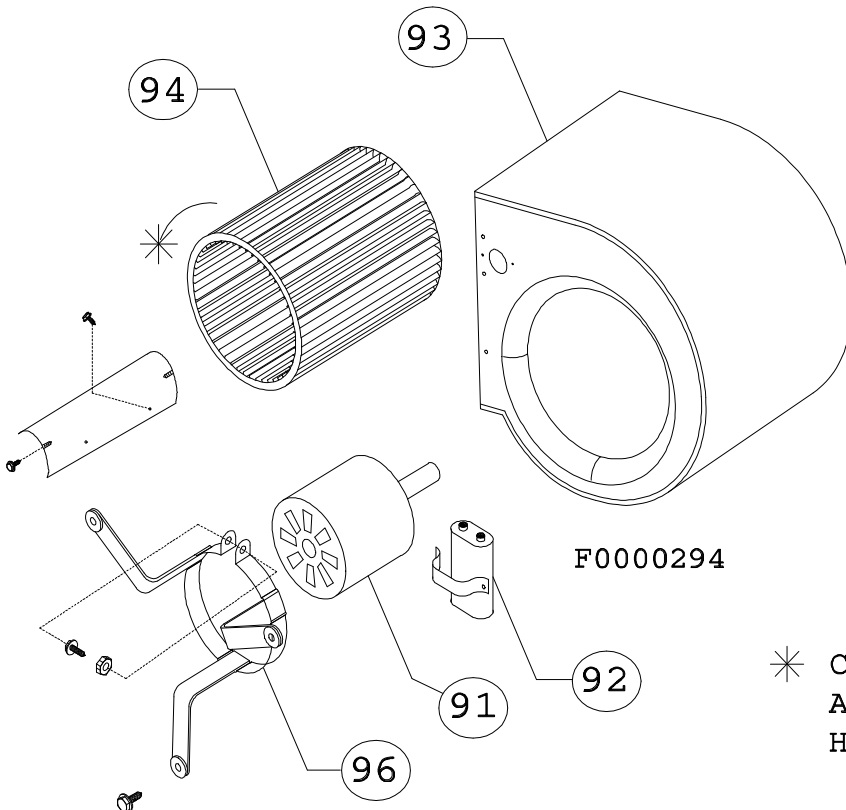
UPFLOW / LEFT HORIZONTAL CONDENSING GAS FURNACE

PARTS LIST

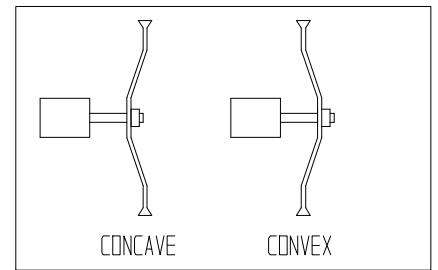




F0000408



F0000294



* CLOCKWISE WHEEL ROTATION AS DETERMINED BY VIEWING HUB SIDE.

CMPE075U3B				DASH/Revision # with Qty
Key	Part Name	Part Number	Description	
Category:				
96	R20285501 MOUNT-MOTOR	71L26	R20285501 MOUNT-MOTOR	1
94	LB-29333BBJ WHEEL	40F83	LB-29333BBJ WHEEL	1
93	BLOWER HOUSING 10X6	R20247604	BLOWER HOUSING 10X6	1
92	100463-03 CAPACITOR 7.5MFD @ 370V ROUND	46W17	100463-03 CAPACITOR 7.5MFD @ 370V ROUND	1
91	MOTOR-BLOWER 1/3 HP	59M50	MOTOR-BLOWER 1/3 HP	1
90	R20245201 MOUNT-BLOWER	71L23	R20245201 MOUNT-BLOWER	2
83	PACKAGE 2"VENT CMP E-U	20540101		1
81	R20286001 HOSE KIT - INDUCER & HEADER	77M50	R20286001 HOSE KIT - INDUCER & HEADER	1
80	92L8301 TRAP-CONDENSATE	92L83	TRAP-CONDENSATE	1
8	B2214828 GASKET KIT-BRNR BOX	92L69	B2214828 GASKET KIT-BRNR BOX	1
78	20294302 INDUCER - VENT SWITCH	80M51	20294302 INDUCER - VENT SWITCH	1
76	R20282601 TUBING-PRESSURE SWITCH	92L82	R20282601 TUBING-PRESSURE SWITCH	1
74	R20293416 Switch-Pressure (High Fire)	12W51	R20293416 Switch-Pressure (High Fire)	1
70	BLOWER - INDUCER	80M52	BLOWER - INDUCER	1
7	20283901 SIGHT GLASS	36M61	20283901 SIGHT GLASS	1
67	R20535701 COLD HEADER-COLLECTOR BOX	59M27	R20535701 COLD HEADER-COLLECTOR BOX	1
66	R20006911 ORIFICE-COLD HEADER	59M57	R20006911 ORIFICE-COLD HEADER	1
66	R20539502 Gasket Kit Cold Box/Inducer	50W58	R20539502 Gasket Kit Cold Box/Inducer	1
65	R20095110 COLLECTOR-FLUE BOX	59M30	R20095110 COLLECTOR-FLUE BOX	1
64	R20430401 GASKET	71L02	R20430401 GASKET	1
63	R20094002 PLATE-INLET	71L28	R20094002 PLATE-INLET	1
62	R20539402 HEAT EXCHANGER - SECONDARY	80M48	R20539402 HEAT EXCHANGER - SECONDARY	1
61	R20539102 HEAT EXCHANGER - PRIMARY	80M44	R20539102 HEAT EXCHANGER - PRIMARY	1
6	PANEL	R20554201	PANEL	1

CMPE075U3B				DASH/Revision # with Qty
Key	Part Name	Part Number	Description	
54	PLATE, IGNITOR COVER CMPE-U-B	R20554401	PLATE, IGNITOR COVER CMPE-U-B	1
53	92L5101 COVER-MANIFOLD PIPE	92L51	COVER-MANIFOLD PIPE	1
52	PANEL BURNER BOX BTM CMPE075U-B	R20295106	PANEL BURNER BOX BTM CMPE075U-B	1
51	PLATE, AIR INLET BAFFLE CMP	R20244902	PLATE, AIR INLET BAFFLE CMP	1
5	CAP-CABINET	R20554101	CAP-CABINET	1
49	BRACKET, MANIFOLD	R20258202	BRACKET, MANIFOLD	2
48	SHIELD TOP&BOTTOM 075	R20434302	SHIELD TOP&BOTTOM 075	2
47,Y	100365-01 VALVE-GAS (Single Stage)	93M80	100365-01 VALVE-GAS (Single Stage)	1
46	R20262502 MANIFOLD-GAS	92L37	R20262502 MANIFOLD-GAS	1
44	20467102 SENSOR-FLAME	28M97	20467102 SENSOR-FLAME	1
43	80M2901 IGNITOR	80M29	IGNITOR	1
42	20298102 ORIFICE-NAT	71L05	20298102 ORIFICE-NAT	3
42	20298103 ORIFICE-LP	71L06	20298103 ORIFICE-LP	3
41	SUPPORT, BURNER 075 (3BNR	R20004202	SUPPORT, BURNER 075 (3BNR	1
40	R20004601 BURNER-INSHOT	71L03	R20004601 BURNER-INSHOT	3
4	R20240331 Panel-Blower Access	12W34	R20240331 Panel-Blower Access	1
3	PANEL	R20296525	PANEL	1
28	R20017402 SWITCH-ROLLOUT	52M73	R20017402 SWITCH-ROLLOUT	1
26	R20001103 CONTROL-LIMIT	87H91	R20001103 CONTROL-LIMIT	1
24	R20550001 HARNESS - PRIMARY	80M37	R20550001 HARNESS - PRIMARY	1
23	70L6301 SWITCH-INTERLOCK	70L63	SWITCH-INTERLOCK	1
22	20298305 TRANSFORMER 120/24/40VA	82W04	20298305 TRANSFORMER 120/24/40VA	1
21	80M2701 BOARD - IGN/FAN CONTROL	80M27	BOARD - IGN/FAN CONTROL	1
2	HANDLE-ARM BEIGE	R45174-001	HANDLE-ARM BEIGE	1
1	R20539801 Panel - Front Access	12W28	R20539801 Panel - Front Access	1

NOTE