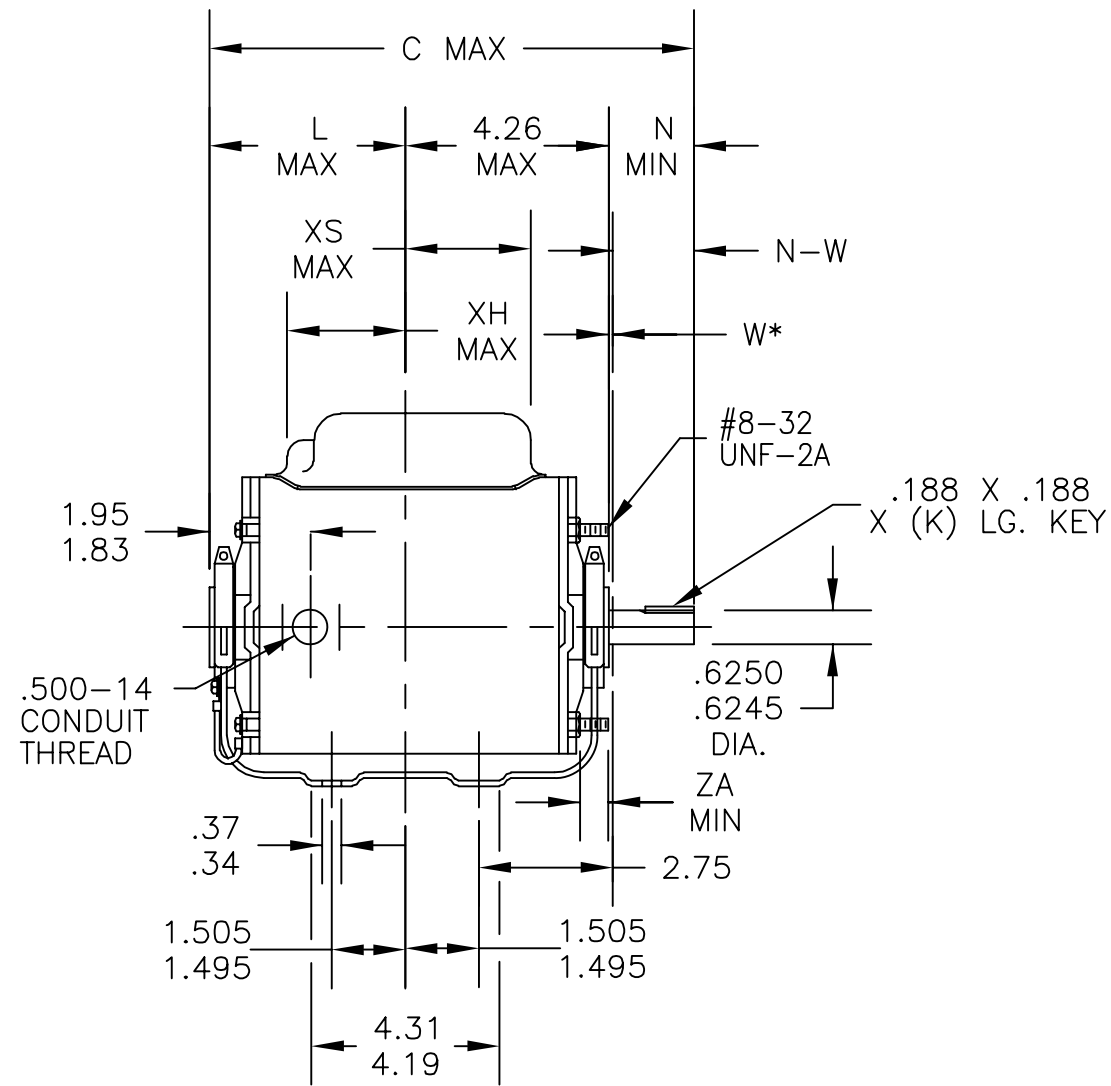
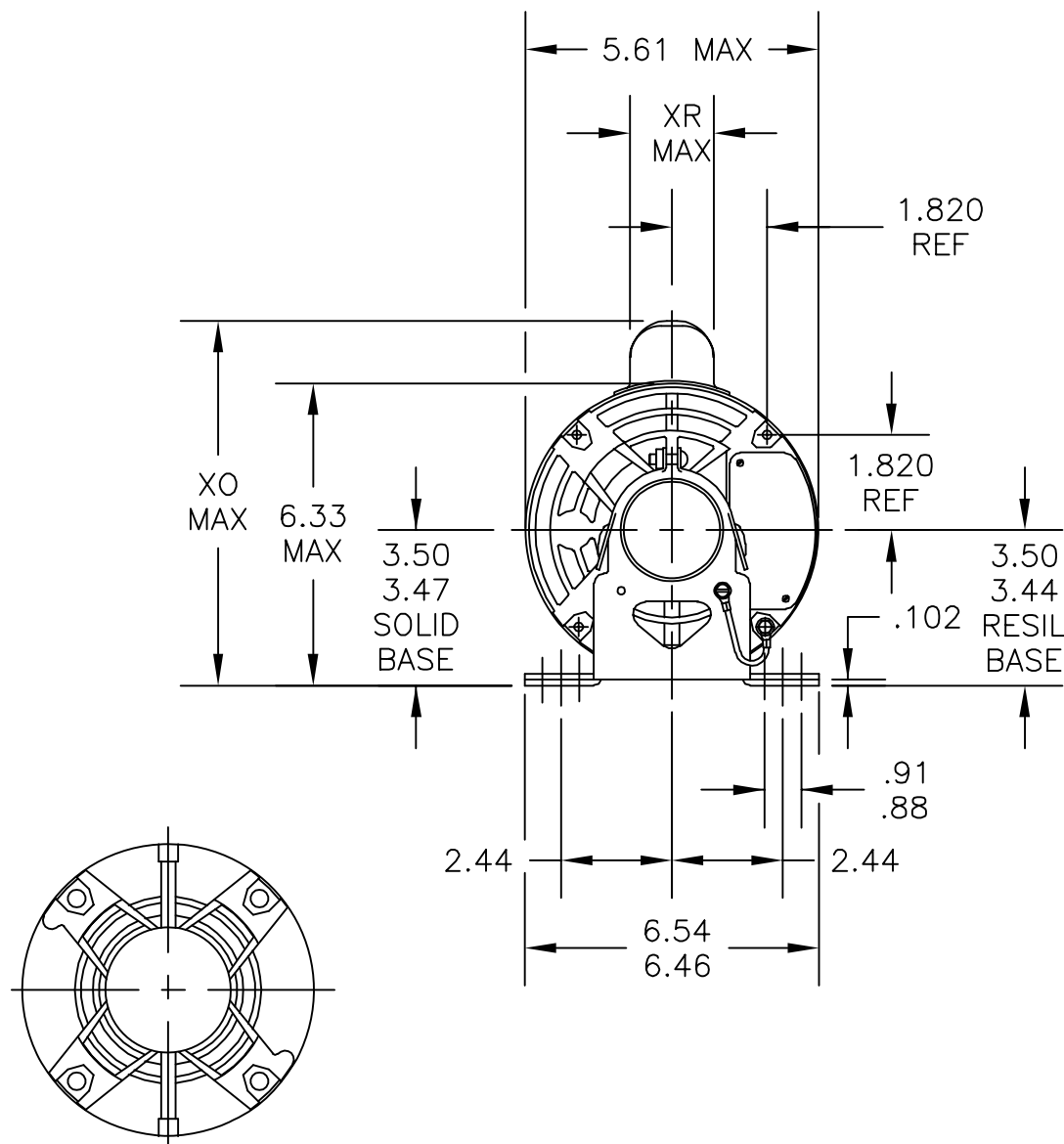



52A111270



*W IS A CLEARANCE DUE TO VARIATION IN PARTS & ASSEMBLY.

VIEW SHOWING PE VENTILATION OPENINGS

2	KC	37	56	10.72	1.38	4.63	1.88	2.01/1.79	3.07	7.85	1.60	2.70	.69	6.62
1	KC	36	56	10.32	1.38	4.23	1.88	2.01/1.79	3.10	8.20	2.10	2.64	.72	6.22
PT	TYPE	RBC SIZE	NEMA FR	C	K	L	N	N-W	XH	XO	XR	XS	ZA	MIN. SHELL

F	ECS DIMENSIONS ADDED PER ECO-0059212	PVN	9/5/14	DS	TOLERANCES UNLESS SPECIFIED		 REGAL-BELOIT CORPORATION TITLE: OUTLINE DRIP PROOF-SOLID OR RESIL BASE-BALL						DRAWN	DR 12/16/04
5	REDRAWN IN DRAFT SIGHT - NO CHANGES	UD	11/06/12	PKG	DEC.	INCHES							CHK	
4	CHANGED 'ZA' DIMENSION PER IS12-5156	UD	11/06/12	DS	.X	±0.1							APPD	DR 12/16/04
3	CHG TO RBC FORMAT PER IS05-1777	PKG	04/28/06		.XX	±0.02							SCALE	1=1
2	CHG CLAMP BOLT TO #8-32 PER IS05-0952	RK	04/15/05		.XXX	±0.005							REF	
1	ADDED P2	DS	12/21/04		.XXXX	±0.0005	FMF							
NO.	REVISION	BY & DATE	CHK	ANG	±1.0	FINISH	PREV							

THIS DRAWING IN DESIGN AND DETAIL IS OUR PROPERTY AND MUST NOT BE USED EXCEPT IN CONNECTION WITH OUR WORK ALL RIGHTS OF DESIGN AND INVENTION ARE RESERVED THIS IS AN ELECTRONICALLY GENERATED DOCUMENT - DO NOT SCALE THIS PRINT

RFP	CAD FILE	52A111270	SIZE	DRAWING NO.	REV.
DIST			A	52A111270	F