



Product Data Sheet

Zone Sensors

Trane™ offers a full line of wireless and wired temperature sensors. Wireless temperature sensors are an ideal and cost-effective alternative to wired sensors that provide easy and flexible installation. Conventional wired sensors are best suited where wireless sensors are not allowed or when a wired connection to a service tool is required.

Features, Benefits, and Part Numbers:

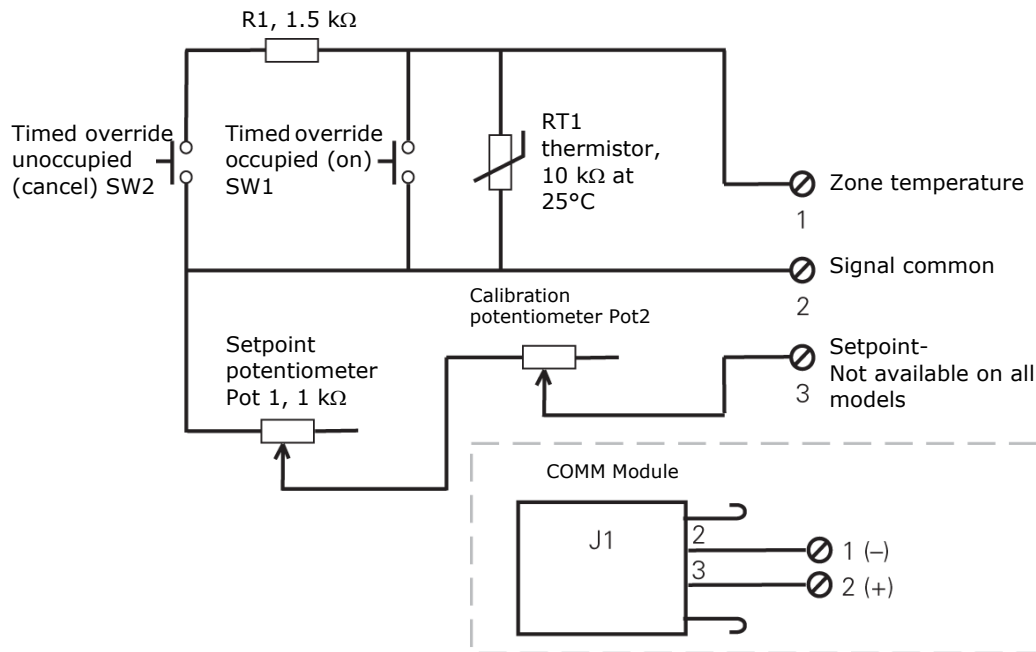
Features	Benefits
Temperature-only sensors	Simplifies tenant interaction by moving the temperature setpoint to a centralized source.
Temperature setpoint control	Allows the tenant to choose a temperature setpoint that satisfies their personal preference.
Occupancy override	Allows the tenant to request temporary timed override system operation that permits the building conditions to remain in occupied comfort conditions.
COMM module (optional)	Compatible with all Trane-wired temperature sensors. This optional accessory provides local RJ22 connection to Trane service tools for easy, low cost maintenance.
Hot/cold thumbwheel (optional)	Allows the tenant to choose a temperature setpoint relative to their zone of comfort as opposed to exact numbers.

Part Numbers				
Description		Part Number	BAYSENS	Global Parts
Setpoint	Occupancy			
Single	Yes	X1351152701	BAYSENS074A	SEN01447
NA	No	X1351152801	BAYSENS077A	SEN01448
Single	No	X1351152901	BAYSENS075A	SEN01449
NA	Yes	X1351153001	BAYSENS073A	SEN01450
COMM Module (Box of 12)		X1365146702	BAYCOMM005A	CON01313
Thumbwheel; Hot/Cold (Box of 12)		X1316105702	NA	KNB00182

Specifications

Description	
Sensor operating temperature	From 32°F to 122°F (0°C to 50°C)
Storage temperature	From -40°F to 185°F (-40°C to 85°C)
Storage/operating humidity range	5% to 95% relative humidity (RH), noncondensing
Thermistor accuracy	0.2°C at 25°C, 1%
Setpoint functional range	45°F to 90°F (7.2°C to 32.2°C)
Setpoint thumbwheel markings	50°F to 85°F (in 5°F increments) with */** icons on thumbwheel 11°C to 29°C (in 3°C increments) with */** icons on thumbwheel
Housing material	Polycarbonate/ABS (suitable for plenum mounting), UV protection, UL 94: 5 VA flammability rating
Mounting	Fits a standard 2 in. by 4 in. junction box (vertical mount only). Mounting holes are spaced 3.2 in. (83 mm) apart on vertical center line. Includes mounting screws for junction box or wall anchors for sheet-rock walls. Overall dimensions: 2.9 in (74 mm) by 4.7 in. (119 mm)

Schematic (Typical)



www.trane.com

For more information, contact your local Trane office or e-mail us at comfort@trane.com

Trane and the Trane logo are trademarks of Trane in the United States and other countries. All trademarks referenced in this document are the trademarks of their respective owners.

Literature Order Number BAS-PRC027-EN

Date November 2007

Supersedes New

Trane has a policy of continuous product and product data improvement and reserves the right to change design and specifications without notice.