

# Series 009, LF009

## Reduced Pressure Zone Assemblies

Sizes 1/4" – 1"

### Repair Kits

When ordering specify Ordering Code, Kit No., and Valve Size.

ORDERING CODE	KIT NO.	SIZE
---------------	---------	------

#### Total Repair Kits

ORDERING CODE	KIT NO.	SIZE
0887298	RK 009-T	1/4" - 1/2"
0888527	RK 009M3-T	3/4"
0887302	RK 009M2-T	3/4"
0887283	RK 009-T	3/4" - 1"
0887793	RK 009M2-T	1"

Kit consists of: relief valve repair kit, first check repair kit, second check repair kit, retainer (if plastic)

### Relief Valve Kits

#### Total Relief Valve Kits

ORDERING CODE	KIT NO.	SIZE
0887294	RK 009 VT	1/4" - 1/2"
0887509	RK SS009 VT	1/2"
0887002	RK 009M2 VT	3/4"
0887520	RK SS009M2/M3 VT	1/4" - 3/4"
0888524	RK 009M3 VT	3/4"
0887015	RK 009 VT	3/4" - 1"
0887503	RK SS009VT	1"
0887785	RK 009M2 VT	1"

Kit consists of: seat, seat O-ring, stem & diaphragm assembly, stem O-ring, cover O-ring and RV spring.

#### Relief Valve Rubber Parts Kits

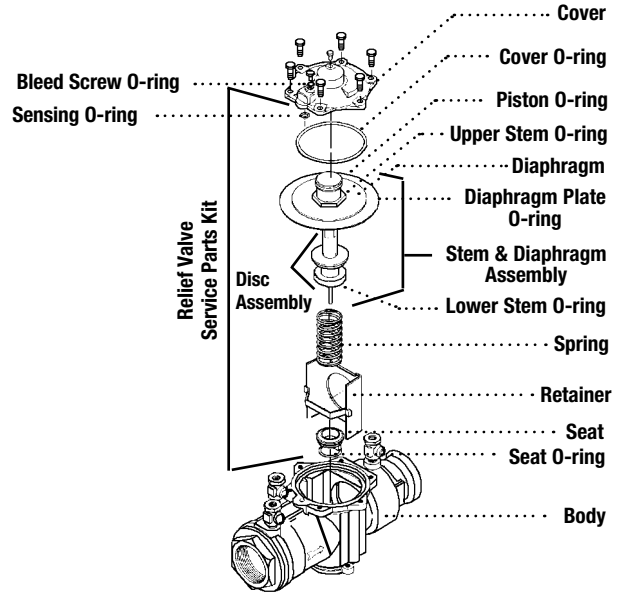
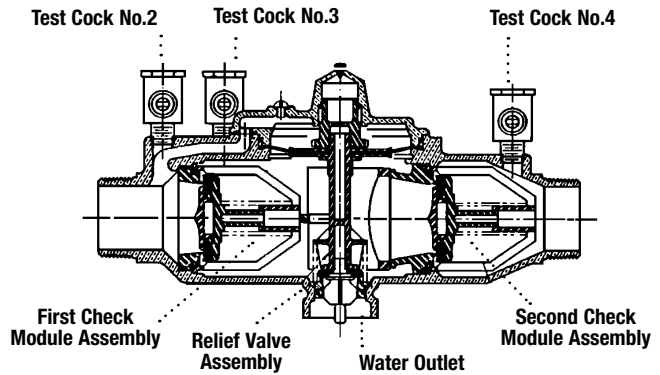
ORDERING CODE	KIT NO.	SIZE
0887295	RK 009 RV	1/4" - 1/2"
0887510	RK SS009 RV	1/2"
0886998	RK 009M2 RV	3/4"
0887519	RK SS009M2/M3 RV	1/4" - 3/4"
0888523	RK 009M3 RV	3/4"
0887181	RK 009 RV	3/4" - 1"
0887529	RK SS009 RV	3/4" - 1"
0887786	RK 009M2 RV	1"

Kit consists of: diaphragm, disc assembly, stem O-rings, seat O-ring and cover O-ring.

#### Total Rubber Parts Kits

ORDERING CODE	KIT NO.	SIZE
0887297	RK 009 RT	1/4" - 1/2"
0887511	RK SS009 RT	1/2"
0886999	RK 009M2 RT	3/4"
0887521	RK SS009M2 RT	1/4" - 3/4"
0888597	RK SS009M3 RT	1/4" - 3/4"
0888526	RK 009M3 RT	3/4"
0887182	RK 009 RT	3/4" - 1"
0887530	RK SS009 RT	1"
0887787	RK 009M2 RT	1"

Kit consists of: diaphragm, two disc assemblies, stem O-rings, cover O-ring, two seat O-rings and RV seat O-ring.



ORDERING CODE	KIT NO.	SIZE
---------------	---------	------

#### Cover Kits

0794044	LFRK 009 C	1/4" - 1/2"
0887500	RK SS009 C	1/2"
0887013	RK 009 C	3/4" - 1"
0887501	RK SS009M2/M3 C	1/4" - 3/4"
0794045	LFRK 009M2/M3 C	3/4"
0887502	RK SS009 C	1"
0794046	LFRK 009M2 C	1"

Kit consists of: cover and cover O-ring.

\*The wetted surface of this product contacted by consumable water contains less than 0.25% of lead by weight.

2

Reduced Pressure Zone Assemblies

# Series 009, LF009

## Reduced Pressure Zone Assemblies

Sizes 1 1/4" – 2"

### Repair Kits

When ordering specify Ordering Code, Kit No., and Valve Size.

ORDERING CODE	KIT NO.	SIZE
---------------	---------	------

#### Total Repair Kits

LEAD FREE	ORDERING CODE	KIT NO.	SIZE
	0887794	RK 009M2-T	1 1/4"– 1 1/2"
	0887284	RK 009-T	1 1/4"– 2"
	0887269	RK 009M1-T	1 1/4"– 2"
	0887795	RK 009M2-T	2"

Kit consists of: relief valve repair kit, first check repair kit, second check repair kit, retainer (if plastic)

### Relief Valve Kits

#### Relief Valve Total Kits

LEAD FREE	ORDERING CODE	KIT NO.	SIZE
	0887307	RK 009M2 VT	1 1/4"– 1 1/2"
	0887277	RK 009M1 VT	1 1/4"– 2"
	0887016	RK 009 VT	1 1/4"– 2"
	0887545	RK 009M2 VT	2"

Kit consists of: RV assembly, seat, seat O-ring, cover O-ring, sensing passage O-ring and upper stem O-ring and RV spring.

#### Relief Valve Rubber Parts Kits

LEAD FREE	ORDERING CODE	KIT NO.	SIZE
	0887306	RK 009M2 RV	1 1/4"– 1 1/2"
	0887276	RK 009M1 RV	1 1/4"– 2"
	0887184	RK 009 RV	1 1/4"– 2"
	0887544	RK 009M2 RV	2"

Kit consists of: diaphragm, seat O-ring, cover O-ring and sensing passage O-ring.

#### Complete Rubber Parts Kits

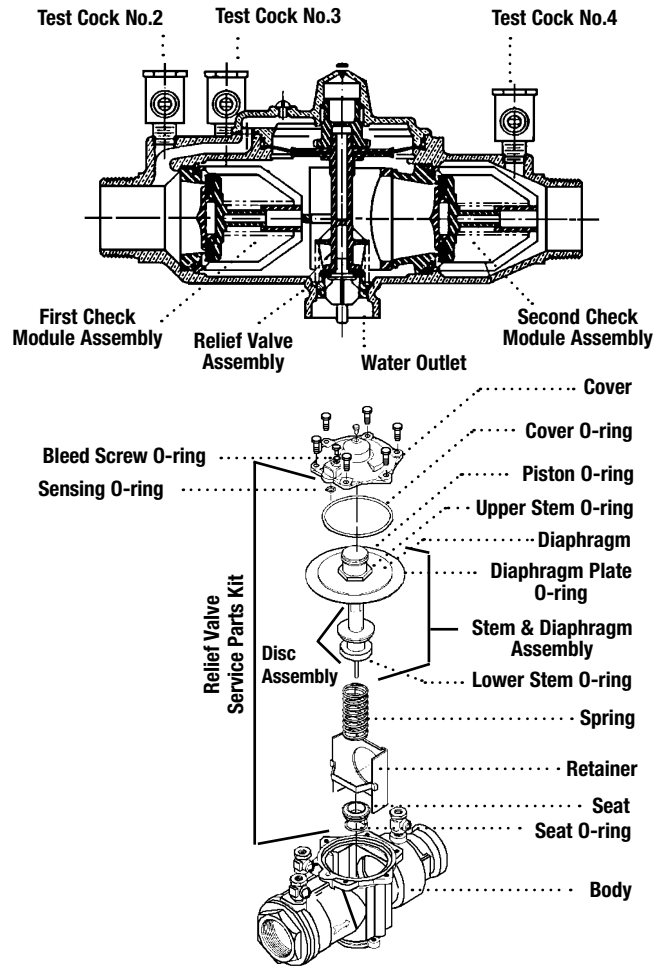
LEAD FREE	ORDERING CODE	KIT NO.	SIZE
	0887309	RK 009M2 RT	1 1/4"– 1 1/2"
	0887185	RK 009 RT	1 1/4"– 2"
	0887280	RK 009M1 RT	1 1/4"– 2"
	0887547	RK 009M2 RT	2"

Kit consists of: two check assembly O-rings, two disc assemblies, one cover O-ring, one RV diaphragm, one RV seat O-ring, one sensing passage O-ring, one diaphragm plate O-ring, one RV lower stem O-ring, one RV upper stem O-ring, one RV disc assembly and one bleed screw O-ring.

#### Cover Kits

LEAD FREE	ORDERING CODE	KIT NO.	SIZE
	0794047	LFRK 009M2 C	1 1/4"– 1 1/2"
	0794048	LFRK 009M2 C	2" 009M2, 1 1/4" – 2" 009/009M1

Kit consists of: cover, cover O-ring sensing passage O-ring, bleed screw O-ring, vent hood and bleed screw.



2

Reduced Pressure Zone Assemblies

\*The wetted surface of this product contacted by consumable water contains less than 0.25% of lead by weight.

# Series 009, LF009

## Reduced Pressure Zone Assemblies

Sizes 1/4" – 2"

### Check valve kits

When ordering specify Ordering Code, Kit No., and Valve Size.

1/4" – 1"

ORDERING CODE	KIT NO.	SIZE
---------------	---------	------

#### First Check Kits

0887291	RK 009 CK1	1/4" – 1/2"
0887505	RK SS009 CK1	1/2" – 3/4"
0887000	RK 009M2 CK1	3/4"
0887515	RK SS009M3 CK1	1/4" – 3/4"
0888520	RK 009M3 CK1	3/4"
0887005	RK 009 CK1	3/4" – 1"
0887009	RK 009 CK1SS	3/4" – 1"
0887525	RK SS009 CK1	1"
0887789	RK 009 M2 CK1	1"

Kit consists of: check assembly and cover O-ring.

#### Second Check Kits

0887292	RK 009 CK2	1/4" – 1/2"
0887506	RK SS009 CK2	1/2" – 3/4"
0887001	RK 009M2 CK2	3/4"
0887516	RK SS009M3 CK2	1/4" – 3/4"
0888521	RK 009M3 CK2	3/4"
0887007	RK 009 CK2	3/4" – 1"
0887011	RK 009 CK2SS	3/4" – 1"
0887526	RK SS009 CK2	1"
0887790	RK 009M2 CK2	1"

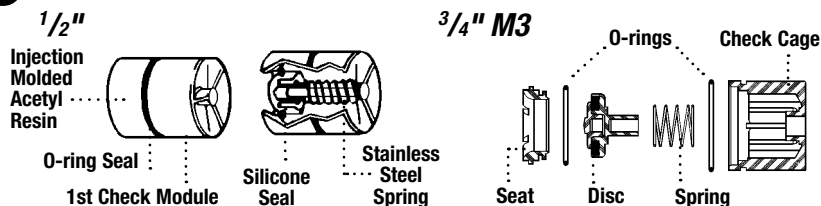
Kit consists of: check assembly and cover O-ring.

#### Check Rubber Parts

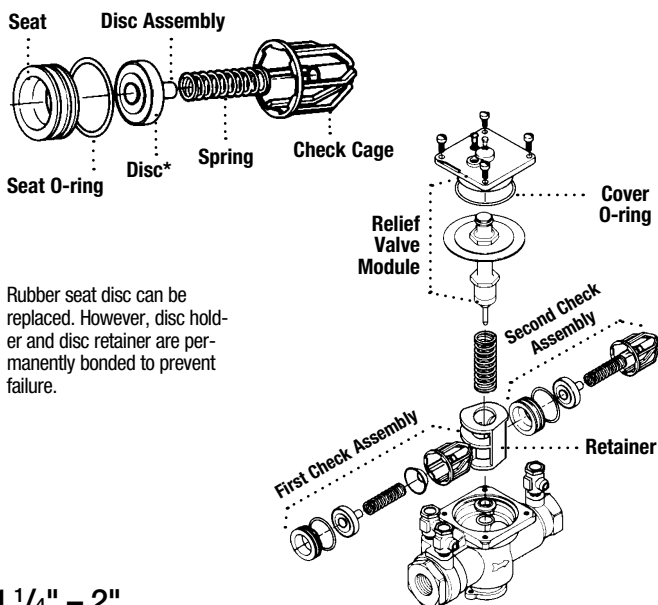
0887293	RK 009 RC3	1/4" – 1/2"
0887507	RK SS009 RC1	1/2" – 3/4"
0887508	RK SS009 RC2	1/2" – 3/4"
0887003	RK 009M2 RC3	3/4"
0888595	RK SS009M3 RC1	1/4" – 3/4"
0888596	RK SS009M3 RC2	1/4" – 3/4"
0888522	RK 009M3 RC3	3/4"
0887017	RK 009 RC1	3/4" – 1"
0887180	RK 009 RC2	3/4" – 1"
0887527	RK SS009 RC1	1"
0887528	RK SS009 RC2	1"
0887791	RK 009M2 RC1	1"
0887792	RK 009M2 RC2	1"

Kit consists of: disc, cover O-ring and seat O-ring.

## CHECK ASSEMBLIES



### 1" – 2"



Rubber seat disc can be replaced. However, disc holder and disc retainer are permanently bonded to prevent failure.

### 1 1/4" – 2"

ORDERING CODE	KIT NO.	SIZE
---------------	---------	------

#### First Check Kits

0887300	RK 009M2 CK1	1 1/4" – 1 1/2"
0887270	RK 009M1 CK1	1 1/4" – 2"
0887006	RK 009 CK1	1 1/4" – 2"
0887010	RK 009 CK1SS	1 1/4" – 2"
0887272	RK 009M1 CK1SS	1 1/4" – 2"
0887540	RK 009M2 CK1	2"

Kit consists of: first check assembly, cover O-ring and sensing passage O-ring.

#### Second Check Kits

0887301	RK 009M2 CK2	1 1/4" – 1 1/2"
0887271	RK 009M1 CK2	1 1/4" – 2"
0887008	RK 009 CK2	1 1/4" – 2"
0887012	RK 009 CK2SS	1 1/4" – 2"
0887273	RK 009M1 CK2SS	1 1/4" – 2"
0887541	RK 009M2 CK2	2"

Kit consists of: second check assembly, cover O-ring and sensing passage O-ring.

#### First Check Rubber Parts Kits

0887304	RK 009M2 RC1	1 1/4" – 1 1/2"
0887274	RK 009M1 RC1	1 1/4" – 2"
0887018	RK 009 RC1	1 1/4" – 2"
0887542	RK 009M2 RC1	2"

Kit consists of: first check assembly O-ring, disc holder assembly, cover O-ring and sensing passage O-ring.

#### Second Check Rubber Parts Kits

0887305	RK 009M2 RC2	1 1/4" – 1 1/2"
0887275	RK 009M1 RC2	1 1/4" – 2"
0887183	RK 009 RC2	1 1/4" – 2"
0887543	RK 009M2 RC2	2"

Kit consists of: second check assembly O-ring, disc holder assembly, cover O-ring and sensing passage O-ring.

\*The wetted surface of this product contacted by consumable water contains less than 0.25% of lead by weight.

2

Reduced Pressure Zone Assemblies

LEAD FREE\*

LEAD FREE\*

LEAD FREE\*

LEAD FREE\*

LEAD FREE\*

LEAD FREE\*

# Series 009, LF009

## Reduced Pressure Zone Assemblies

Sizes 2 1/2" – 3"

### Repair Kits

When ordering specify Ordering Code, Kit No., and Valve Size.

ORDERING CODE	KIT NO.	SIZE
---------------	---------	------

#### Total Repair Kits»

LEAD FREE	0794051	LFRK 009-T	2 1/2" – 3"
-----------	---------	------------	-------------

Kit consists of: relief valve repair kit, first check repair kit, second check repair kit, retainer (if plastic)

### Relief Valve Kits

#### Total Relief Valve Kit»

LEAD FREE	0794052	LFRK 009 VT	2 1/2" – 3"
-----------	---------	-------------	-------------

Kit consists of: seat, stem assembly, spring, two piston O-rings, flow tube O-ring and cover O-ring.

#### Relief Valve Rubber Parts»

LEAD FREE	0794053	LFRK 009 RV	2 1/2" – 3"
-----------	---------	-------------	-------------

Kit consists of: diaphragm, disc, molded disc assembly, piston O-ring, stem O-ring and cover O-ring.  
Stem O-ring located between stem and piston O-ring.

### Check valve kits

When ordering specify Ordering Code, Kit No., and Valve Size.

ORDERING CODE	KIT NO.	SIZE
---------------	---------	------

#### First Check Parts Kit»

LEAD FREE	0794054	LFRK 009 CK1	2 1/2" – 3"
-----------	---------	--------------	-------------

#### Second Check Parts Kit»

LEAD FREE	0794055	LFRK 009 CK2	2 1/2" – 3"
-----------	---------	--------------	-------------

Kit consists of: check assembly, cover O-ring and flow tube O-ring.

#### First Check Rubber Parts Kit

LEAD FREE	0887281	RK 009 RC1	2 1/2" – 3"
-----------	---------	------------	-------------

#### Second Check Rubber Parts Kit

LEAD FREE	0887205	RK 009 RC2	2 1/2" – 3"
-----------	---------	------------	-------------

Kit consists of: disc, seat O-ring, cover O-ring and flow tube O-ring.

#### Total Rubber Parts

LEAD FREE	0794056	LFRK 009 RT	2 1/2" – 3"
-----------	---------	-------------	-------------

Kit consists of: diaphragm, two molded disc assemblies, two seat O-rings, RV O-ring, two piston O-rings, RV stem O-ring, flow tube O-ring and cover O-ring.

#### Cover Kit

LEAD FREE	0887282	RK 009 C	2 1/2" – 3"
-----------	---------	----------	-------------

Kit consists of: cover, cover O-ring and flow tube O-ring.

#### Check Seat Kit

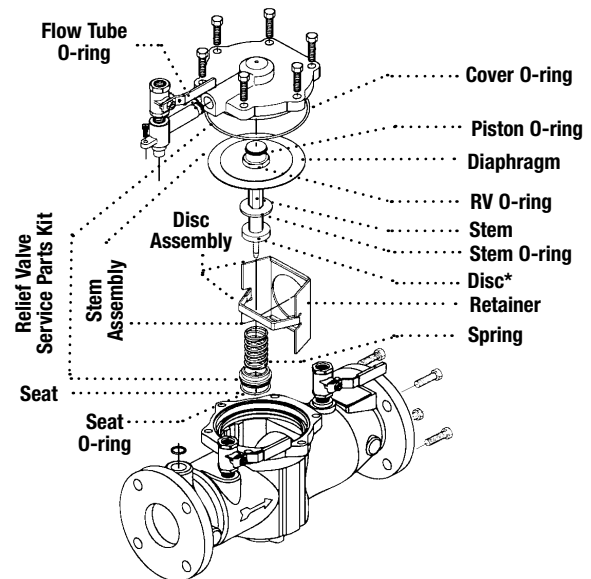
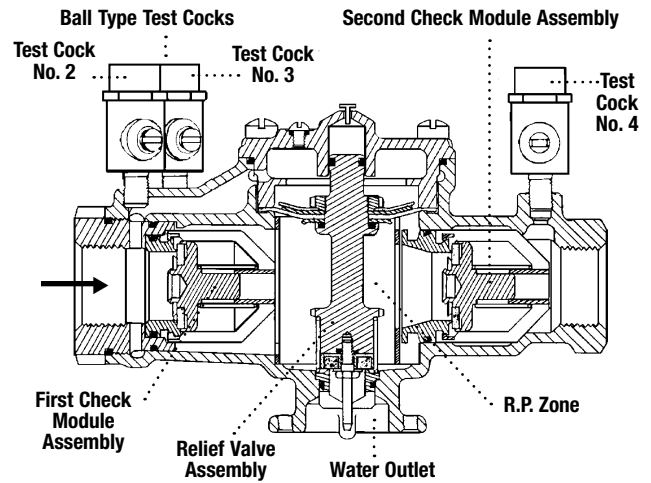
LEAD FREE	0887208	RK 009 S1	2 1/2" – 3"
LEAD FREE	0887209	RK 009 S2	2 1/2" – 3"

Kit consists of: check seat, seat O-ring and cover O-ring.

Rubber seat disc can be replaced. However, disc holder and disc retainer are permanently bonded to prevent failure.

First and Second Check Valve modules are not interchangeable.

\*The wetted surface of this product contacted by consumable water contains less than 0.25% of lead by weight.



### Check Assemblies

