

The 314UB is a direct-acting, 3-way universal valve for air and water applications.

Features

- Rugged industrial construction
- Both seat discs are spring loaded
- Superior life with stainless steel enclosing tube

Options

- Brass or stainless steel bodies
- Optional Voltages: 480, 120-240 & 240-480/50-60 Hz

NOTE: 314U valves require an AMGN, EM or ASC-Type coil.

Specifications

- 1/4" NPT Solenoids
- Watts: 12 @ 60Hz
- VA Inrush: 36
- VA Holding: 24
- Maximum working pressure: 500 psi
- Weight: 1 lb.
- Standard Voltages: 24, 120, 208-240/50-60 Hz
- UL/CUL file number: MP604



Ordering Information*

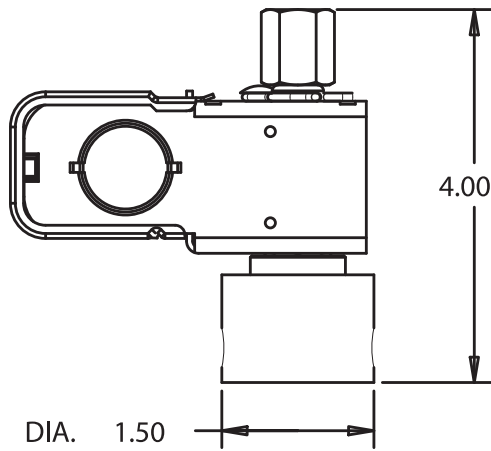
Pipe Size	Orifice Size	M.O.P.D ²		Cv		Max. AC Fluid Temp. ¹	Recommended Coils			Description	PCN	Elastomer
		AC	Port 2	Port 3	Size		Insulation	Enclosure				
Brass General Purpose												
1/4	3/64	125	.05	.06	180°F	<u>A</u>	<u>M</u>	<u>GN</u>	314UB1/4B3/64B3/64B	030722	BUNA-N	
	3/32	40	.22	.17		12 Watts @ 60 Hz	Class F Molded	Junction Box	314UB1/4B3/32B3/32B	030719		
Stainless Steel General Purpose												
1/4	3/64	125	.05	.06	180°F	<u>A</u>	<u>M</u>	<u>GN</u>	314UB1/4S3/64B3/64B	030725	BUNA-N	
						12 Watts @ 60 Hz	Class F Molded	Junction Box				

¹With an ambient temperature of 77°F.

²Maximum Operating Pressure Differential.

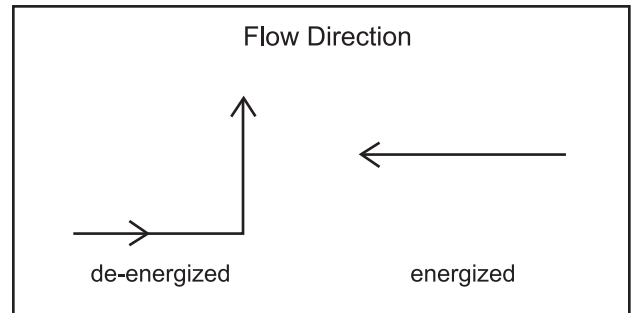
*VLC - See coil assemblies for availability.

Dimensional Data (in)

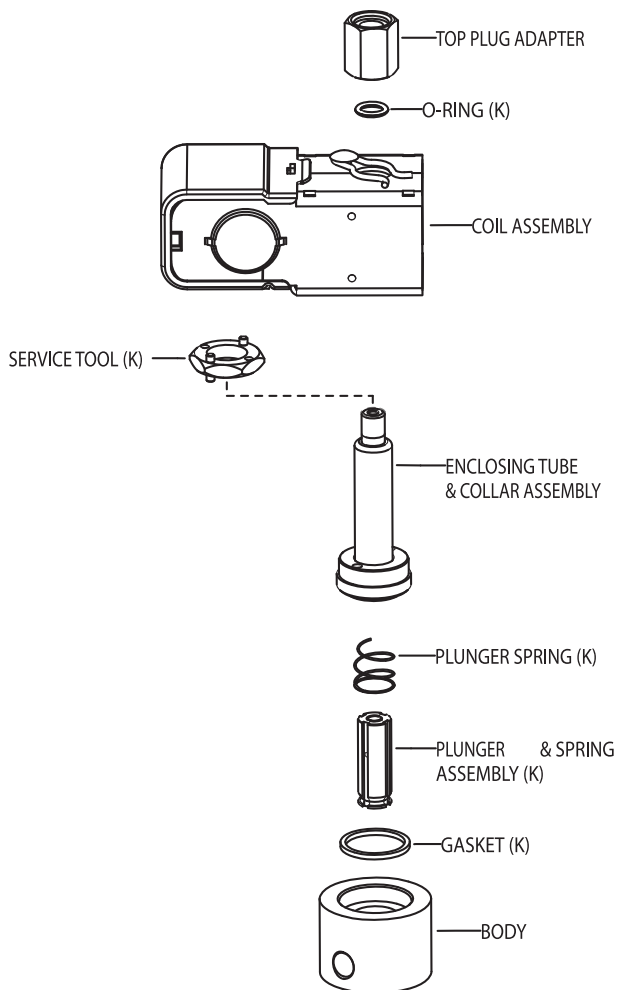


Valve Options

Options	To Order
Silver Shading Band (on stainless steel valves)	Change body material code. Example: Change standard 314UB1/8S to non-standard 314UB1/bT (silver shading band)



Exploded View



Valve Repair Kit

Seat Material	Kit #	PCN
Buna-N	K-1093	037054

Valve Repair Kit

K indicates part is supplied in valve repair kit.

Coil Assembly

See coil assemblies for availability.