

# Series 1070 & G1070

LavSafe™ Thermostatic Faucet

Size 3/8"

## Repair Kits

ORDERING CODE	KIT NO.		
0899321	Handle 4"		
0899322	Handle 6"		
0899323	Cartridge		
0899324	Base Plate for P1070		
0899325	Base Plate for GP1070		
0899326	Faucet Hardware		
0899327	Supply Tubes		

# Series 2

Washing Machine Water Shut off Valves

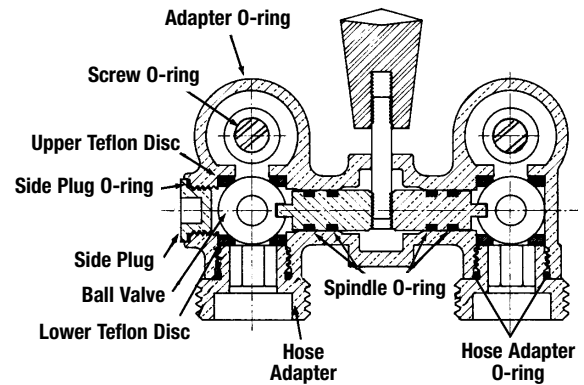
Size 1/2"

## Repair Kits

When ordering specify Ordering Code, Kit No., and Valve Size.

ORDERING CODE	KIT NO.	MODELS	SIZE (IN.)
0862000	2-M2-RK	2-M1-2T-M1 2-M2-2T-M2	1/2"

Kit for Series 2 consists of: 1-Side Plug O-ring 4-Teflon Discs 2-Spindle O-rings  
2-Adapter O-rings 2-Adapter Screw O-rings  
Model identification shown on body casting.



# Series A200

Trap Primers

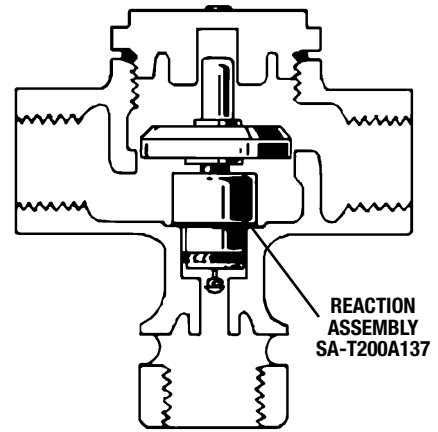
Size 1/2"

Repair Kits

When ordering specify Ordering Code, Kit No., and Valve Size.

ORDERING CODE	KIT NO.	VALVE SERIES	SIZE (IN.)
0877070	A200RK	A200	1/2"

Reaction Assembly consists of Disc, Trap Disc, Trap Seat and Closing Disc.



# Series HB-1

Boiler Drains

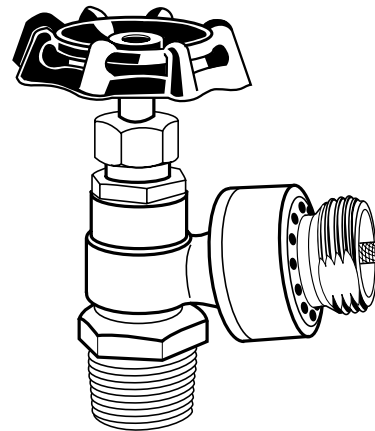
Sizes 1/2" - 3/4"

Repair kits

When ordering specify Ordering Code, Kit No., and Valve Size.

ORDERING CODE	KIT NO.	VALVE SERIES	SIZE (IN.)
0035015	HB-1 RK	HB-1	ALL

Kit for HB-1 consists of Vacuum Breaker Body, Diaphragm Assembly and Gasket



# Series FH-M1, FHV, FHB

Frost-Proof Wall Hydrants

Sizes 1/2" x 1/2", 3/4" x 1/2" and 3/4" x 3/4"

## Repair Kits

When ordering specify Ordering Code, Kit No., and Valve Size.

ORDERING CODE	KIT NO.	VALVE SERIES	SIZE (IN.)
0723061	FHB-RK	FHB	ALL
0723064	FHB-V-RK	FHB	ALL
0723126	FH-M1-RK	FH-M1	ALL

Kit FHB-RK consists of all parts shown below\*\*

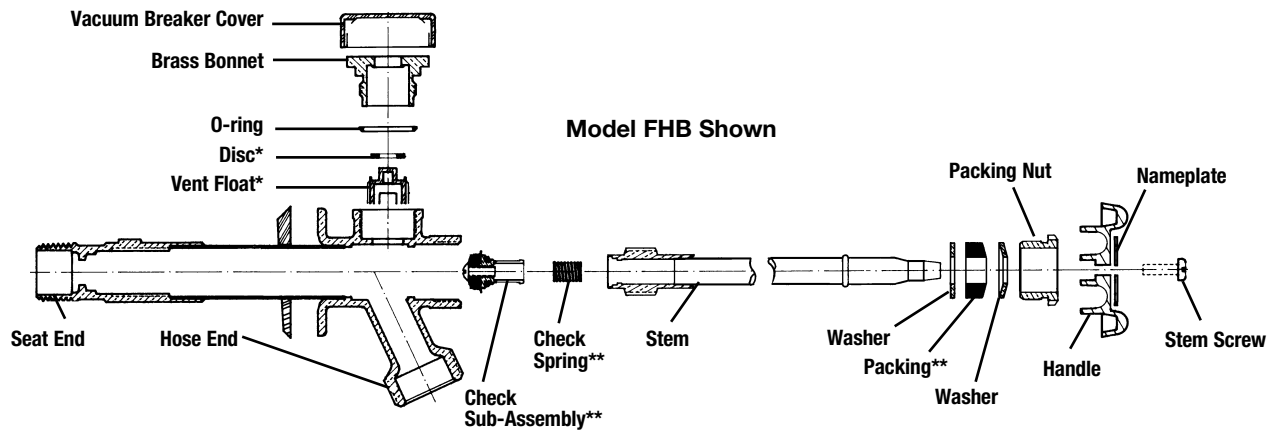
Kit FHB-V-RK consists of all parts shown below\*

Kit FH-M1-RK consists of O-ring, Gland and Stem Packing, disc and disc screw

## Handle Kits

ORDERING CODE	KIT NO.	VALVE SERIES	SIZE (IN.)
0723063	FHB-HK	FHB	ALL
0723127	FH-M1-HK	FH-M1	ALL

Kit consists of handle and handle screw/nut



\*Supplied with RK-FHB-V (1/2", 3/4")

\*\*Supplied with RK-FHB (1/2", 3/4")