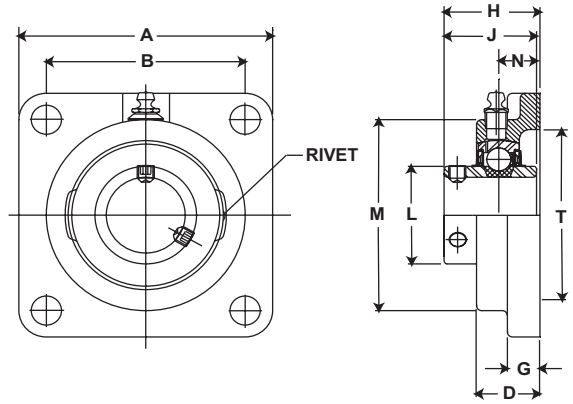


# Browning<sup>®</sup> Mounted Ball Bearings



- Duty:** Intermediate
- Rolling Elements:** Ball
- Housing:** Cast Iron Four Bolt Flange
- Self Alignment:** +/- 1.5 Degrees
- Lock:** Setscrew
- Seal:** Contact and Flinger
- Temperature:** -20° to 200°F



## VF4S 100 Series Intermediate Duty Four Bolt Flanges - Setscrew Locking

Bore Diameter inch	Part No.	Bearing Insert No.	Basic Dynamic Rating lb/N	Dimensions inch / mm										Bolt Size	Unit Wt. lb/kg
				A	B*	D	G	H	J	L	M	N	T Cored		
1/2	VF4S-108	VS-108	2108	3	2 1/8	23/32	3/8	1 5/64	15/16	31/32	2 1/8	5/16	1 3/4	3/8	1.0
5/8	VF4S-110	VS-110	9377	76.2	54.0	18.3	9.5	27.4	23.8	24.6	54.0	7.9	44.5		.45
3/4	VF4S-112	VS-112	2611	3 3/8	2 1/2	57/64	7/16	1 9/32	1 1/16	1 3/16	2 1/2	11/32	2	3/8	1.3
			11614	85.7	63.5	22.6	11.1	32.5	27.0	30.2	63.5	8.7	50.8		.59
7/8	VF4S-114	VS-114	2801	3 3/4	2 3/4	61/64	1/2	1 25/64	1 7/64	1 3/8	2 3/4	11/32	2 1/2	7/16	1.7
15/16	VF4S-115	VS-115	12459	95.3	69.9	24.2	12.7	35.3	28.2	34.9	69.9	8.7	63.5		.77
1	VF4S-116	VS-116													
1 1/8	VF4S-118	VS-118	4381	4 1/4	3 1/4	1 5/64	17/32	1 15/32	1 5/32	1 19/32	3 1/8	3/8	2 7/8	7/16	2.4
1 3/16	VF4S-119	VS-119	19487	108.0	82.6	27.4	13.5	37.3	29.4	40.5	79.4	9.5	73.0		1.09
1 1/4	VF4S-120S	VS-120S													
1 1/4	VF4S-120	VS-120	5782	4 5/8	3 5/8	1 5/32	19/32	1 39/64	1 9/32	1 55/64	3 5/8	27/64	3 1/4	1/2	3.4
1 3/8	VF4S-122	VS-122	25718	117.5	92.1	29.4	15.1	40.9	32.5	47.2	92.1	10.7	82.6		1.54
1 7/16	VF4S-123	VS-123													
1 1/2	VF4S-124	VS-124	7340	5 1/8	4	1 19/64	5/8	1 49/64	1 27/64	2 1/16	4 1/8	31/64	3 1/2	1/2	4.4
			32648	130.2	101.6	32.9	15.9	44.8	36.1	52.4	104.8	12.3	88.9		2.00
1 11/16	VF4S-127	VS-127	7901	5 3/8	4 1/8	1 21/64	5/8	1 13/16	1 7/16	2 19/64	4 3/8	31/64	3 7/8	9/16	4.7
1 3/4	VF4S-128	VS-128	35144	136.5	104.8	33.7	15.9	46.0	36.5	58.3	111.1	12.3	98.4		2.13
1 15/16	VF4S-131	VS-131	7889	5 5/8	4 3/8	1 23/64	5/8	1 59/64	1 35/64	2 15/32	4 9/16	1/2	4	9/16	5.4
2	VF4S-132S	VS-132S	35090	142.9	111.1	34.5	15.9	48.8	39.3	62.7	115.9	12.7	101.6		2.45
2	VF4S-132	VS-132	9752	6 3/8	5 1/8	1 33/64	13/16	2 7/64	1 21/32	2 23/32	5 1/4	35/64	4 1/4	5/8	7.7
2 3/16	VF4S-135	VS-135	43377	161.9	130.2	38.5	20.6	53.6	42.1	69.1	133.4	13.9	108.0		3.49

\* To obtain bolt circle multiply B x 1.414".

Metric dimensions for reference only.

Not all parts are available from stock. Please contact customer service for availability (800) 626-2120.

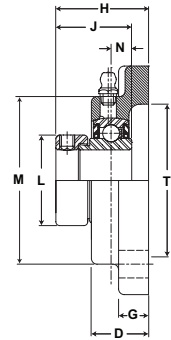
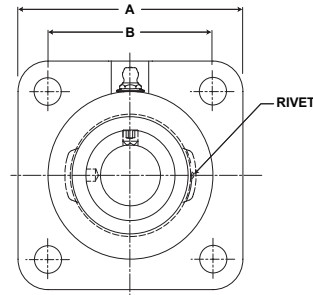
For more information on bearing capabilities outside of our standard offering, please contact Application Engineering (800) 626-2093.

# Mounted Ball Bearings *Browning*

Mtd. Ball Bearings



- Duty:** Intermediate
- Rolling Elements:** Ball
- Housing:** Cast Iron Four Bolt Flange
- Self Alignment:** +/- 1.5 Degrees
- Lock:** Eccentric
- Seal:** Contact
- Temperature:** -20° to 200°F



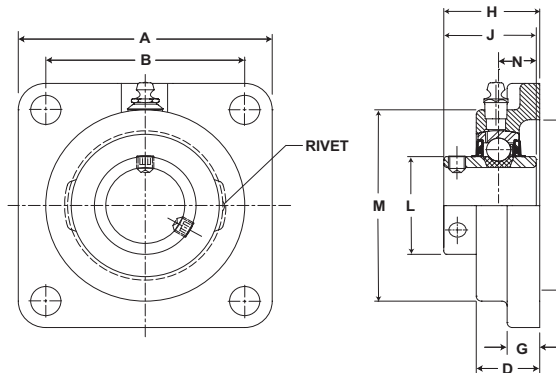
## VF4E 100 Series Intermediate Duty Four Bolt Flanges - Eccentric Locking

Bore Diameter inch	Part No.	Bearing Insert No.	Basic Dynamic Rating lb/N	Dimensions inch / mm										Bolt Size	Unit Wt. lb/kg
				A	B*	D	G	H	J	L	M	N	T Cored		
1/2	VF4E-108	VE-108	2108	3	2 1/8	23/32	3/8	1 21/64	1 3/16	1 3/16	2 1/8	5/16	1 3/4	3/8	1.1 .50
5/8	VF4E-110	VE-110	9377	76.2	54.0	18.3	9.5	33.7	30.2	30.2	54.0	7.9	44.5		
3/4	VF4E-112	VE-112	2611 11614	3 3/8 85.7	2 1/2 63.5	57/64 22.6	7/16 11.1	1 31/64 37.7	1 17/64 32.1	1 5/16 33.3	2 1/2 63.5	11/32 8.7	2 50.8	3/8	1.4 .64
7/8	VF4E-114	VE-114	2801 12459	3 3/4	2 3/4	61/64	1/2	1 35/64	1 17/64	1 1/2	2 3/4	11/32	2 1/2		
15/16	VF4E-115	VE-115		95.3	69.9	24.2	12.7	39.3	32.1	38.1	69.9	8.7	63.5		
1	VF4E-116	VE-116	4381 19487	4 1/4 108.0	3 1/4 82.6	1 5/64 27.4	17/32 13.5	1 47/64 44.1	1 27/64 36.1	1 3/4 44.5	3 1/8 79.4	3/8 9.5	2 7/8 73.0	7/16	2.6 1.18
1 1/8	VF4E-118	VE-118													
1 3/16	VF4E-119	VE-119													
1 1/4	VF4E-120S	VE-120S	5782 25718	4 5/8 117.5	3 5/8 92.1	1 5/32 29.4	19/32 15.1	1 29/32 48.4	1 37/64 40.1	2 3/16 55.6	3 5/8 92.1	27/64 10.7	3 1/4 82.6	1/2	3.6 1.63
1 1/4	VF4E-120	VE-120													
1 3/8	VF4E-122	VE-122													
1 7/16	VF4E-123	VE-123													
1 1/2	VF4E-124	VE-124	7340 32648	5 1/8 130.2	4 101.6	1 19/64 32.9	5/8 15.9	2 7/64 53.6	1 49/64 44.8	2 3/8 60.3	4 1/8 104.8	31/64 12.3	3 1/2 88.9	1/2	4.7 2.13
1 11/16	VF4E-127	VE-127	7901 35144	5 3/8 136.5	4 1/8 104.8	1 21/64 33.7	5/8 15.9	2 9/64 54.4	1 49/64 44.8	2 1/2 63.5	4 3/8 111.1	31/64 12.3	3 7/8 98.4		
1 3/4	VF4E-128	VE-128													
1 15/16	VF4E-131	VE-131	7889 35090	5 5/8 142.9	4 3/8 111.1	1 23/64 34.5	5/8 15.9	2 5/32 54.8	1 25/32 45.2	2 3/4 69.9	4 9/16 115.9	1/2 12.7	4 101.6	9/16	5.6 2.54
2	VF4E-132S	VE-132S													
2	VF4E-132	VE-132	9752 43377	6 3/8 161.9	5 1/8 130.2	1 33/64 38.5	13/16 20.6	2 7/16 61.9	1 63/64 50.4	3 76.2	5 1/4 133.4	35/64 13.9	4 1/4 108.0	5/8	7.7 3.49
2 3/16	VF4E-135	VE-135													

\* To obtain bolt circle multiply B x 1.414".  
For Replacement Lock Collar see page G-214.



- Duty:** Standard
- Rolling Elements:** Ball
- Housing:** Cast Iron Four Bolt Flange
- Self Alignment:** +/- 1.5 Degrees
- Lock:** Setscrew
- Seal:** Contact and Flinger
- Temperature:** -20° to 200°F



### VF4S 200 Series Standard Duty Four Bolt Flanges - Setscrew Locking - Inch

Bore Diameter		Part No.	Bearing Insert No.	Basic Dynamic Rating lb/N	Dimensions inch / mm										Bolt Size	Unit Wt. lb/kg
inch	mm				A	B*	D	G	H	J	L	M	N	T Cored		
1/2	12.7	VF4S-208	VS-208	2108	3	2 1/8	23/32	3/8	1 5/64	1 1/32	31/32	2 1/8	13/32	1 3/4	3/8	1.1
5/8	15.9	VF4S-210	VS-210	9377	76.2	54.0	18.3	9.5	27.4	26.2	24.6	54.0	10.3	44.5		.50
3/4	19.1	VF4S-212	VS-212	2611 11614	3 3/8	2 1/2	57/64	7/16	1 9/32	1 7/32	1 3/16	2 1/2	1/2	2	3/8	1.4
					85.7	63.5	22.6	11.1	32.5	31.0	30.2	63.5	12.7	50.8		.64
7/8	22.2	VF4S-214	VS-214	2801 12459	3 3/4	2 3/4	61/64	1/2	1 7/16	1 3/8	1 3/8	2 3/4	9/16	2 1/2	7/16	1.6
15/16	23.8	VF4S-215	VS-215		95.3	69.9	24.2	12.7	36.5	34.9	34.9	69.9	14.3	63.5		.73
1	25.4	VF4S-216	VS-216													
1 1/8	28.6	VF4S-218	VS-218	4381 19487	4 1/4	3 1/4	1 5/64	17/32	1 9/16	1 1/2	1 19/32	3 1/8	5/8	2 7/8	7/16	2.6
1 3/16	30.2	VF4S-219	VS-219		108.0	82.6	27.4	13.5	39.7	38.1	40.5	79.4	15.9	73.0		1.18
1 1/4	31.8	VF4S-220S	VS-220S													
1 1/4	31.8	VF4S-220	VS-220	5782 25718	4 5/8	3 5/8	1 5/32	19/32	1 3/4	1 11/16	1 55/64	3 5/8	11/16	3 1/4	1/2	3.6
1 3/8	34.9	VF4S-222	VS-222		117.5	92.1	29.4	15.1	44.5	42.9	47.2	92.1	17.5	82.6		1.63
1 7/16	36.5	VF4S-223	VS-223													
1 1/2	38.1	VF4S-224	VS-224	7340 32648	5 1/8	4	1 19/64	5/8	2 1/64	1 15/16	2 1/16	4 1/8	3/4	3 1/2	1/2	4.9
					130.2	101.6	32.9	15.9	51.2	49.2	52.4	104.8	19.1	88.9		2.22
1 5/8	41.3	VF4S-226	VS-226	7901 35144	5 3/8	4 1/8	1 21/64	5/8	2 3/64	1 15/16	2 19/64	4 3/8	3/4	3 7/8	9/16	5.2
1 11/16	42.9	VF4S-227	VS-227		136.5	104.8	33.7	15.9	52.0	49.2	58.3	111.1	19.1	98.4		2.36
1 3/4	44.5	VF4S-228	VS-228													
1 15/16	49.2	VF4S-231	VS-231	7889 35090	5 5/8	4 3/8	1 23/64	5/8	2 5/32	2 1/32	2 15/32	4 9/16	3/4	4	9/16	5.6
2	50.8	VF4S-232S	VS-232S		142.9	111.1	34.5	15.9	54.8	51.6	62.7	115.9	19.1	101.6		2.54
2	50.8	VF4S-232	VS-232	9752 43377	6 3/8	5 1/8	1 33/64	13/16	2 5/16	2 3/16	2 23/32	5 1/4	7/8	4 1/4	5/8	7.9
2 3/16	55.6	VF4S-235	VS-235		161.9	130.2	38.5	20.6	58.7	55.6	69.1	133.4	22.2	108.0		3.58
2 1/4	57.2	VF4S-236	VS-236	11789 52437	6 7/8	5 5/8	1 11/16	13/16	2 11/16	2 3/16	2 63/64	5 7/16	1	5	5/8	9.6
2 7/16	61.9	VF4S-239	VS-239		174.6	142.9	42.9	20.6	68.3	55.6	75.8	138.1	25.4	127.0		4.35

\* To obtain bolt circle multiply B x 1.414".

Metric dimensions for reference only.

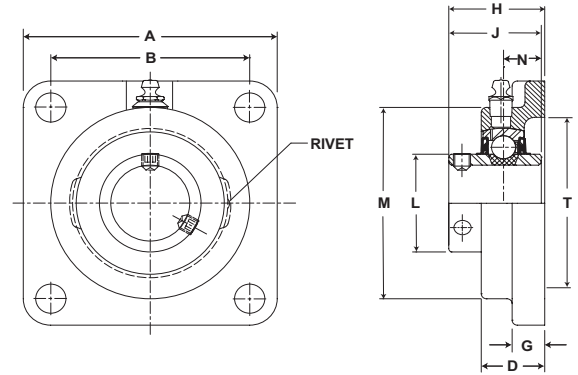
Not all parts are available from stock. Please contact customer service for availability (800) 626-2120.

For more information on bearing capabilities outside of our standard offering, please contact Application Engineering (800) 626-2093.

# Mounted Ball Bearings *Browning*



- Duty:** Standard
- Rolling Elements:** Ball
- Housing:** Cast Iron Four Bolt Flange
- Self Alignment:** +/- 1.5 Degrees
- Lock:** Setscrew
- Seal:** Contact and Flinger
- Temperature:** -20° to 200°F



## VF4S 200 Series Standard Duty Four Bolt Flanges - Setscrew Locking - Metric

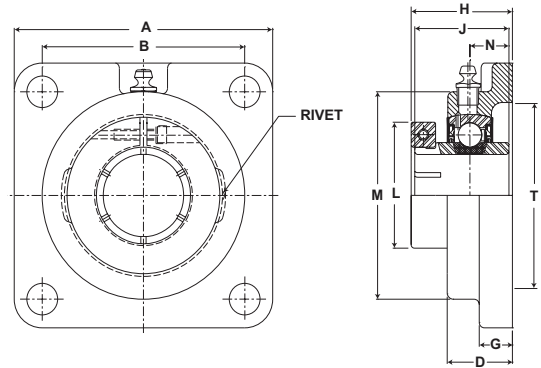
Bore Diameter mm	Part No.	Bearing Insert No.	Basic Dynamic Rating N/lb	Dimensions mm / inch										Bolt Size	Unit Wt. kg/lb
				A	B*	D	G	H	J	L	M	N	T Cored		
20	VF4S-20 MM	VS-20 MM	11614 2611	85.7 3 3/8	63.5 2 1/2	22.6 5/8	11.1 7/16	32.5 1 9/32	31.0 1 7/32	30.2 1 3/16	63.5 2 1/2	12.7 1/2	50.8 2	M10	.64 1.4
25	VF4S-25 MM	VS-25 MM	12459 2801	95.3 3 3/4	69.9 2 3/4	24.2 1 1/2	12.7 1/2	36.5 1 7/16	34.9 1 3/8	34.9 1 3/8	69.9 2 3/4	14.3 9/16	63.5 2 1/2	M10	.73 1.6
30	VF4S-30 MM	VS-30 MM	19487 4381	108.0 4 1/4	82.6 3 1/4	27.4 1 5/8	13.5 1/2	39.7 1 9/16	38.1 1 1/2	40.5 1 19/32	79.4 3 1/8	15.9 5/8	73.0 2 7/8	M10	1.18 2.6
35	VF4S-35 MM	VS-35 MM	25718 5782	117.5 4 5/8	92.1 3 5/8	29.4 1 5/8	15.1 1/2	44.5 1 9/32	42.9 1 11/16	47.2 1 55/64	92.1 3 5/8	17.5 11/16	82.6 3.25	M12	1.63 3.6
40	VF4S-40 MM	VS-40 MM	32648 7340	130.2 5 1/8	101.6 4	32.9 1 19/64	15.9 5/8	51.2 2 1/64	49.2 1 15/16	52.4 2 1/16	104.8 4 1/8	19.1 3/4	88.9 3 1/2	M12	2.22 4.9
45	VF4S-45 MM	VS-45 MM	35144 7901	136.5 5 3/8	104.8 4 1/8	33.7 1 21/64	15.9 5/8	52.0 2 3/64	49.2 1 15/16	58.3 2 19/64	111.1 4 3/8	19.1 3/4	98.4 3 7/8	M14	2.36 5.2
50	VF4S-50 MM	VS-50 MM	35090 7889	142.9 5 5/8	111.1 4 3/8	34.5 1 23/64	15.9 5/8	54.8 2 5/32	51.6 2 1/32	62.7 2 15/32	115.9 4 9/16	19.1 3/4	101.6 4	M16	2.54 5.6
55	VF4S-55 MM	VS-55 MM	43377 9752	161.9 6 3/8	130.2 5 1/8	38.5 1 33/64	20.6 13/16	58.7 2 5/16	55.6 2 3/16	69.1 2 23/32	133.4 5 1/4	22.2 7/8	108.0 4 1/4	M16	3.58 7.9
60	VF4S-60 MM	VS-60 MM	52437 11789	174.6 6 7/8	142.9 5 5/8	42.9 1 11/16	20.6 13/16	68.3 2 11/16	55.6 2 3/16	75.8 2 63/64	138.1 5 7/16	25.4 1	127.0 5	M16	4.35 9.6

\* To obtain bolt circle multiply B x 1.414".

# Browning<sup>®</sup> Mounted Ball Bearings



- Duty:** Standard
- Rolling Elements:** Ball
- Housing:** Cast Iron Four Bolt Flange
- Self Alignment:** +/- 1.5 Degrees
- Lock:** BOA Concentric
- Seal:** Contact and Flinger
- Temperature:** -20° to 200°F



## VF4B 200 Series Standard Duty Four Bolt Flanges - BOA Concentric Locking

Bore Diameter inch	Part No.	Bearing Insert No.	Basic Dynamic Rating lb/N	Dimensions inch / mm										Bolt Size	Unit Wt. lb/kg
				A	B*	D	G	H	J	L	M	N	T Cored		
3/4	VF4B-212	VB-212	2611	3 3/8	2 1/2	57/64	7/16	1 11/32	1 9/32	1 3/4	2 1/2	1/2	2	3/8	1.5 .68
			11614	85.7	63.5	22.6	11.1	34.1	32.5	44.5	63.5	12.7	50.8		
7/8	VF4B-214	VB-214	2801	3 3/4	2 3/4	61/64	1/2	1 1/2	1 7/16	1 15/16	2 3/4	9/16	2 1/2	7/16	1.8 .82
			12459	95.3	69.9	24.2	12.7	38.1	36.5	49.2	69.9	14.3	63.5		
15/16	VF4B-215	VB-215	4381 19487	4 1/4 108.0	3 1/4 82.6	1 5/64 27.4	17/32 13.5	1 5/8 41.3	1 9/16 39.7	2 3/16 55.6	3 1/8 79.4	5/8 15.9	2 7/8 73.0	7/16	2.8 1.27
1	VF4B-216	VB-216													
1 1/8	VF4B-218	VB-218													
1 3/16	VF4B-219	VB-219	5782 25718	4 5/8 117.5	3 5/8 92.1	1 5/32 29.4	19/32 15.1	1 13/16 46.0	1 3/4 44.5	2 7/16 61.9	3 5/8 92.1	11/16 17.5	3 1/4 82.6	1/2	3.9 1.77
1 1/4	VF4B-220S	VB-220S													
1 1/4	VF4B-220	VB-220													
1 3/8	VF4B-222	VB-222	5782 25718	4 5/8 117.5	3 5/8 92.1	1 5/32 29.4	19/32 15.1	1 13/16 46.0	1 3/4 44.5	2 9/16 65.1	3 5/8 92.1	11/16 17.5	3 1/4 82.6	1/2	3.9 1.77
1 7/16	VF4B-223	VB-223													
1 1/2	VF4B-224	VB-224	7340	5 1/8	4	1 19/64	5/8	2 5/64	2	2 11/16	4 1/8	3/4	3 1/2	1/2	5.2 2.36
			32648	130.2	101.6	32.9	15.9	52.8	50.8	68.3	104.8	19.1	88.9		
1 5/8	VF4B-226	VB-226	7901	5 3/8	4 1/8	1 21/64	5/8	2 7/64	2	2 13/16	4 3/8	3/4	3 7/8	9/16	5.5 2.49
			35144	136.5	104.8	33.7	15.9	53.6	50.8	71.4	111.1	19.1	98.4		
1 11/16	VF4B-227	VB-227	7901 35144	5 3/8 136.5	4 1/8 104.8	1 21/64 33.7	5/8 15.9	2 7/64 53.6	2 50.8	2 15/16 74.6	4 3/8 111.1	3/4 19.1	3 7/8 98.4	9/16	5.5 2.49
1 15/16	VF4B-231	VB-231	7889	5 5/8	4 3/8	1 23/64	5/8	2 7/32	2 3/32	3 3/8	4 9/16	3/4	4	9/16	6.2 2.81
			35090	142.9	111.1	34.5	15.9	56.4	53.2	85.7	115.9	19.1	101.6		
2	VF4B-232	VB-232	9752	6 3/8	5 1/8	1 33/64	13/16	2 3/8	2 1/4	3 1/2	5 1/4	7/8	4 1/4	5/8	8.5 3.86
			43377	161.9	130.2	38.5	20.6	60.3	57.2	88.9	133.4	22.2	108.0		
2 3/16	VF4B-235	VB-235	9752	6 3/8	5 1/8	1 33/64	13/16	2 3/8	2 1/4	3 5/8	5 1/4	7/8	4 1/4	5/8	8.5 3.86
			43377	161.9	130.2	38.5	20.6	60.3	57.2	92.1	133.4	22.2	108.0		
2 1/4	VF4B-236	VB-236	11789	6 7/8	5 5/8	1 11/16	13/16	2 3/4	2 5/8	4 1/16	5 7/16	1	5	5/8	10.8 4.90
			52437	174.6	142.9	42.9	20.6	69.9	66.7	103.2	138.1	25.4	127.0		
2 7/16	VF4B-239	VB-239	11789	6 7/8	5 5/8	1 11/16	13/16	2 3/4	2 5/8	4 1/8	5 7/16	1	5	5/8	10.8 4.90
			52437	174.6	142.9	42.9	20.6	69.9	66.7	104.8	138.1	25.4	127.0		

\* To obtain bolt circle multiply B x 1.414".

For Replacement Lock Collar see page G-214.

Metric dimensions for reference only.

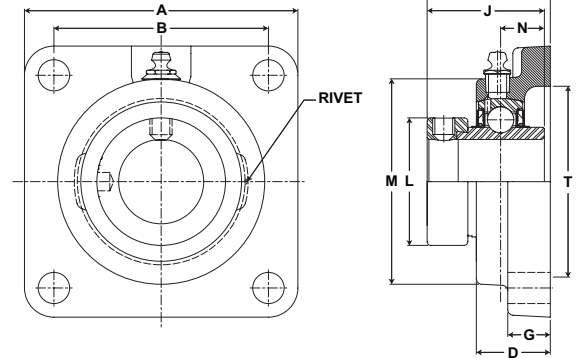
Not all parts are available from stock. Please contact customer service for availability (800) 626-2120.

For more information on bearing capabilities outside of our standard offering, please contact Application Engineering (800) 626-2093.

# Mounted Ball Bearings *Browning*



- Duty:** Standard
- Rolling Elements:** Ball
- Housing:** Cast Iron Four Bolt Flange
- Self Alignment:** +/- 1.5 Degrees
- Lock:** Eccentric
- Seal:** Contact and Flinger
- Temperature:** -20° to 200°F



## VF4E 200 Series Standard Duty Four Bolt Flanges - Eccentric Locking

Bore Diameter inch	Part No.	Bearing Insert No.	Basic Dynamic Rating lb/N	Dimensions inch / mm										Bolt Size	Unit Wt. lb/kg
				A	B*	G	D	H	J	L	M	N	T Cored		
1/2	VF4E-208	VE-208	2108	3	2 1/8	1/2	7/8	1 33/64	1 15/32	1 3/16	2 1/8	35/64	1 3/4	3/8	1.2
5/8	VF4E-210	VE-210	9377	76.2	54.0	12.7	22.2	38.5	37.3	30.2	54.0	13.9	44.5		.54
3/4	VF4E-212	VE-212	2611 11614	3 3/8	2 1/2	1/2	1 5/64	1 51/64	1 23/32	1 5/16	2 1/2	43/64	2	3/8	1.5 .68
7/8	VF4E-214	VE-214	2801	3 3/4	2 3/4	9/16	1 7/64	1 27/32	1 3/4	1 1/2	2 3/4	11/16	2 1/2		7/16
15/16	VF4E-215	VE-215	12459	95.3	69.9	14.3	28.2	46.8	44.5	38.1	69.9	17.5	63.5	7/16	
1	VF4E-216	VE-216													
1 1/8	VF4E-218	VE-218	4381	4 1/4	3 1/4	5/8	1 13/64	2	1 29/32	1 3/4	3 1/8	23/32	2 7/8	7/16	3.0
1 3/16	VF4E-219	VE-219	19487	108.0	82.6	15.9	30.6	50.8	48.4	44.5	79.4	18.3	73.0		7/16
1 1/4	VF4E-220S	VE-220S													
1 1/4	VF4E-220	VE-220	5782	4 5/8	3 5/8	21/32	1 1/4	2 1/8	2 1/64	2 3/16	3 5/8	3/4	3 1/4	1/2	3.8
1 3/8	VF4E-222	VE-222	25718	117.5	92.1	16.7	31.8	54.0	51.2	55.6	92.1	19.1	82.6		1/2
1 7/16	VF4E-223	VE-223													
1 1/2	VF4E-224	VE-224	7340 32648	5 1/8	4	11/16	1 13/32	2 5/16	2 7/32	2 3/8	4 1/8	27/32	3 1/2	1/2	5.1 2.31
1 5/8	VF4E-226	VE-226	7901	5 3/8	4 1/8	11/16	1 13/32	2 5/16	2 7/32	2 1/2	4 3/8	27/32	3 7/8		9/16
1 11/16	VF4E-227	VE-227	35144	136.5	104.8	17.5	35.7	58.7	56.4	63.5	111.1	21.4	98.4	9/16	
1 3/4	VF4E-228	VE-228													
1 15/16	VF4E-231	VE-231	7889 35090	5 5/8	4 3/8	23/32	1 39/64	2 5/8	2 15/32	2 3/4	4 9/16	31/32	4	9/16	5.9 2.68
2	VF4E-232	VE-232	9752	6 3/8	5 1/8	25/32	1 49/64	2 31/32	2 13/16	3	5 1/4	1 3/32	4 1/4		5/8
2 3/16	VF4E-235	VE-235	43377	161.9	130.2	19.8	44.8	75.4	71.4	76.2	133.4	27.8	108.0	5/8	
2 1/4	VF4E-236	VE-236	11789	6 7/8	5 5/8	13/16	1 31/32	3 1/4	3 1/16	3 3/8	5 7/16	1 7/32	4 7/8		5/8
2 7/16	VF4E-239	VE-239	52437	174.6	142.9	20.6	50.0	82.6	77.8	85.7	138.1	31.0	123.8	5/8	

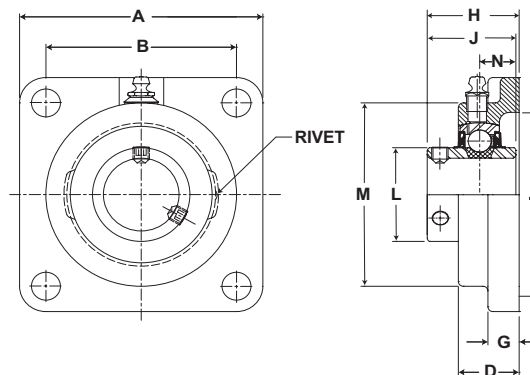
\* To obtain bolt circle multiply B x 1.414".

For Replacement Lock Collar see page G-214.

# Browning<sup>®</sup> Mounted Ball Bearings



**Duty:** Medium  
**Rolling Elements:** Ball  
**Housing:** Cast Iron Four Bolt Flange  
**Self Alignment:** +/- 1.5 Degrees  
**Lock:** Setscrew  
**Seal:** Contact and Flinger  
**Temperature:** -20° to 200°F



## VF4S 300 Series Medium Duty Four Bolt Flanges - Setscrew Locking

Bore Diameter inch	Part No.	Bearing Insert No.	Basic Dynamic Rating lb/N	Dimensions inch / mm										Bolt Size	Unit Wt. lb/kg
				A	B	D	G	H	J	L	M	N	T Cored		
1	VF4S-316	VS-316	4381 19487	4 1/4 108.0	3 1/4 82.6	1 5/64 27.4	17/32 13.5	1 9/16 39.7	1 1/2 38.1	1 19/32 40.5	3 1/8 79.4	5/8 15.9	2 7/8 73.0	7/16	2.9 1.32
1 3/16	VF4S-319	VS-319	5782 25718	4 5/8 117.5	3 5/8 92.1	1 5/32 29.4	19/32 15.1	1 3/4 44.5	1 11/16 42.9	1 55/64 47.2	3 5/8 92.1	11/16 17.5	3 1/4 82.6	1/2	2.9 1.32
1 7/16	VF4S-323	VS-323	7340 32648	5 1/8 130.2	4 101.6	1 19/64 32.9	5/8 15.9	2 1/64 51.2	1 15/16 49.2	2 1/16 52.4	4 1/8 104.8	3/4 19.1	3 1/2 88.9	1/2	5.0 2.27
1 1/2	VF4S-324	VS-324	7901 35144	5 3/8 136.5	4 1/8 104.8	1 21/64 33.7	5/8 15.9	2 3/64 52.0	1 15/16 49.2	2 19/64 58.3	4 3/8 111.1	3/4 19.1	3 7/8 98.4	9/16	5.0 2.27
1 11/16	VF4S-327	VS-327	7889	5 5/8 142.9	4 3/8 111.1	1 23/64 34.5	5/8 15.9	2 5/32 54.8	2 1/32 51.6	2 15/32 62.7	4 9/16 115.9	3/4 19.1	4 101.6	9/16	5.8 2.63
1 3/4	VF4S-328	VS-328	35090												
1 15/16	VF4S-331	VS-331	9752	6 3/8 161.9	5 1/8 130.2	1 33/64 38.5	13/16 20.6	2 5/16 58.7	2 3/16 55.6	2 23/32 69.1	5 1/4 133.4	7/8 22.2	4 1/4 108.0	5/8	8.0 3.63
2	VF4S-332	VS-232S	43377												
2 3/16	VF4S-335	VS-335	11789	6 7/8 174.6	5 5/8 142.9	1 11/16 42.9	13/16 20.6	2 11/16 68.3	2 9/16 65.1	2 63/64 75.8	5 7/16 138.1	1 25.4	5 127.0	5/8	9.9 4.49
2 1/4	VF4S-336	VS-236	52437												

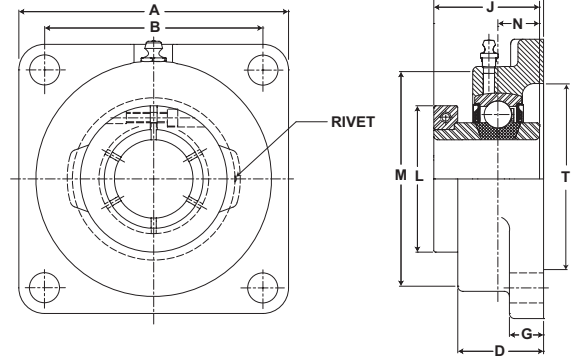
\* To obtain bolt circle multiply B x 1.414".

Metric dimensions for reference only.

# Mounted Ball Bearings *Browning*



- Duty:** Medium
- Rolling Elements:** Ball
- Housing:** Cast Iron Four Bolt Flange
- Self Alignment:** +/- 1.5 Degrees
- Lock:** BOA Concentric
- Seal:** Contact and Flinger
- Temperature:** -20° to 200°F



## VF4B 300 Series Medium Duty Four Bolt Flanges - BOA Concentric Locking

Bore Diameter inch	Part No.	Bearing Insert No.	Basic Dynamic Rating lb/N	Dimensions inch / mm										Bolt Size	Unit Wt. lb/kg
				A	B*	D	G	H	J	L	M	N	T Cored		
1	VF4B-316	VB-316	4381 19487	4 1/4 108.0	3 1/4 82.6	1 5/64 27.4	17/32 13.5	1 5/8 41.3	1 9/16 39.7	2 1/16 52.4	3 1/8 79.4	5/8 15.9	2 7/8 73.0	7/16	3.0 1.36
1 3/16	VF4B-319	VB-319	5782	4 5/8	3 5/8	1 5/32	19/32	1 13/16	1 3/4	2 7/16	3 5/8	11/16	3 1/4	1/2	3.0 1.36
1 1/4	VF4B-320	VB-220	25718	117.5	92.1	29.4	15.1	46.0	44.5	61.9	92.1	17.5	82.6		
1 7/16	VF4B-323	VB-323	7340 32648	5 1/8 130.2	4 101.6	1 19/64 32.9	5/8 15.9	2 5/64 52.8	2 50.8	2 11/16 68.3	4 1/8 104.8	3/4 19.1	3 1/2 88.9	1/2	5.1 2.31
1 8/16	VF4B-324	VB-324	7901 35144	5 3/8 136.5	4 1/8 104.8	1 21/64 33.7	5/8 15.9	2 7/64 53.6	2 50.8	2 13/16 71.4	4 3/8 111.1	3/4 19.1	3 7/8 98.4	9/16	5.1 2.31
1 11/16	VF4B-327	VB-327	7889	5 5/8	4 3/8	1 23/64	5/8	2 7/32	2 3/32	7 3/4	4 9/16	3/4	4	9/16	5.9 2.68
1 3/4	VF4B-328	VB-328	35090	142.9	111.1	34.5	15.9	56.4	53.2	196.9	115.9	19.1	101.6		
1 15/16	VF4B-331	VB-331	9752	6 3/8	5 1/8	1 33/64	13/16	2 3/8	2 1/4	3 1/2	5 1/4	7/8	4 1/4	5/8	8.2 3.72
2	VF4B-332	VB-232S	43377	161.9	130.2	38.5	20.6	60.3	57.2	88.9	133.4	22.2	108.0		
2 3/16	VF4B-335	VB-335	11789 52437	6 7/8 174.6	5 5/8 142.9	1 11/16 42.9	13/16 20.6	2 3/4 69.9	2 5/8 66.7	4 1/16 103.2	5 7/16 138.1	1 25.4	5 127.0	5/8	10.2 4.63

\* To obtain bolt circle multiply B x 1.414".

For Replacement Lock Collar see page G-214.