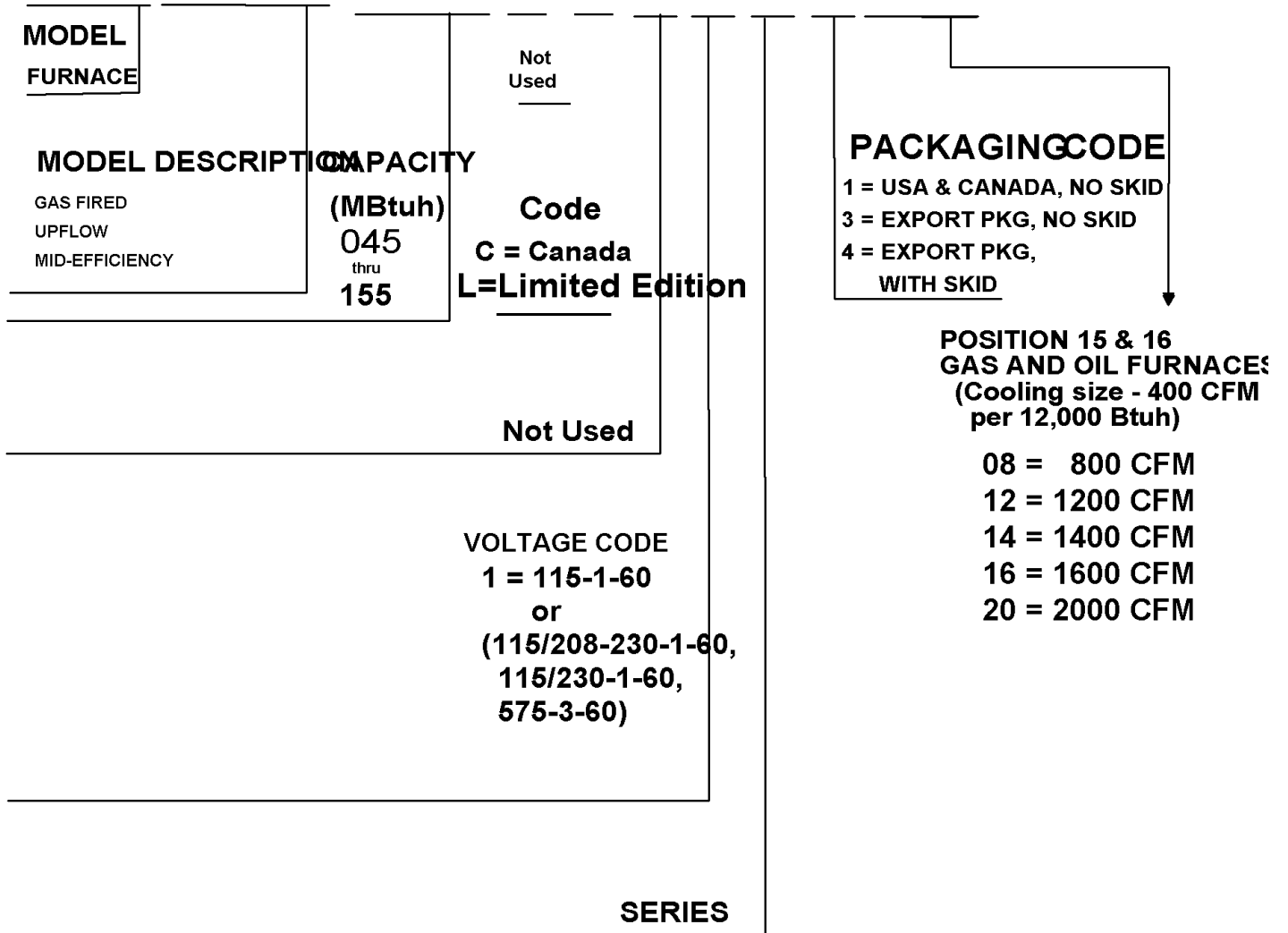
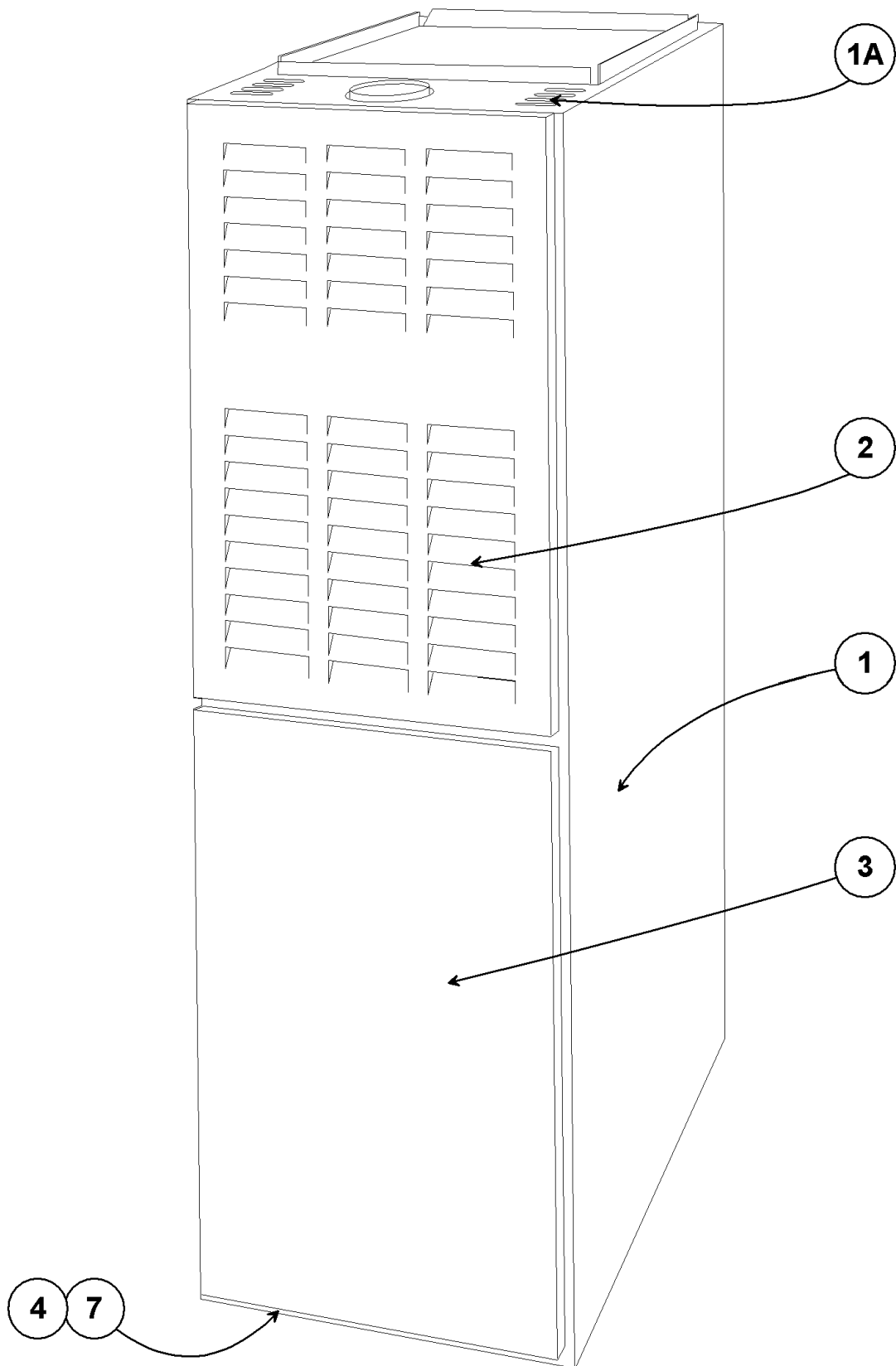
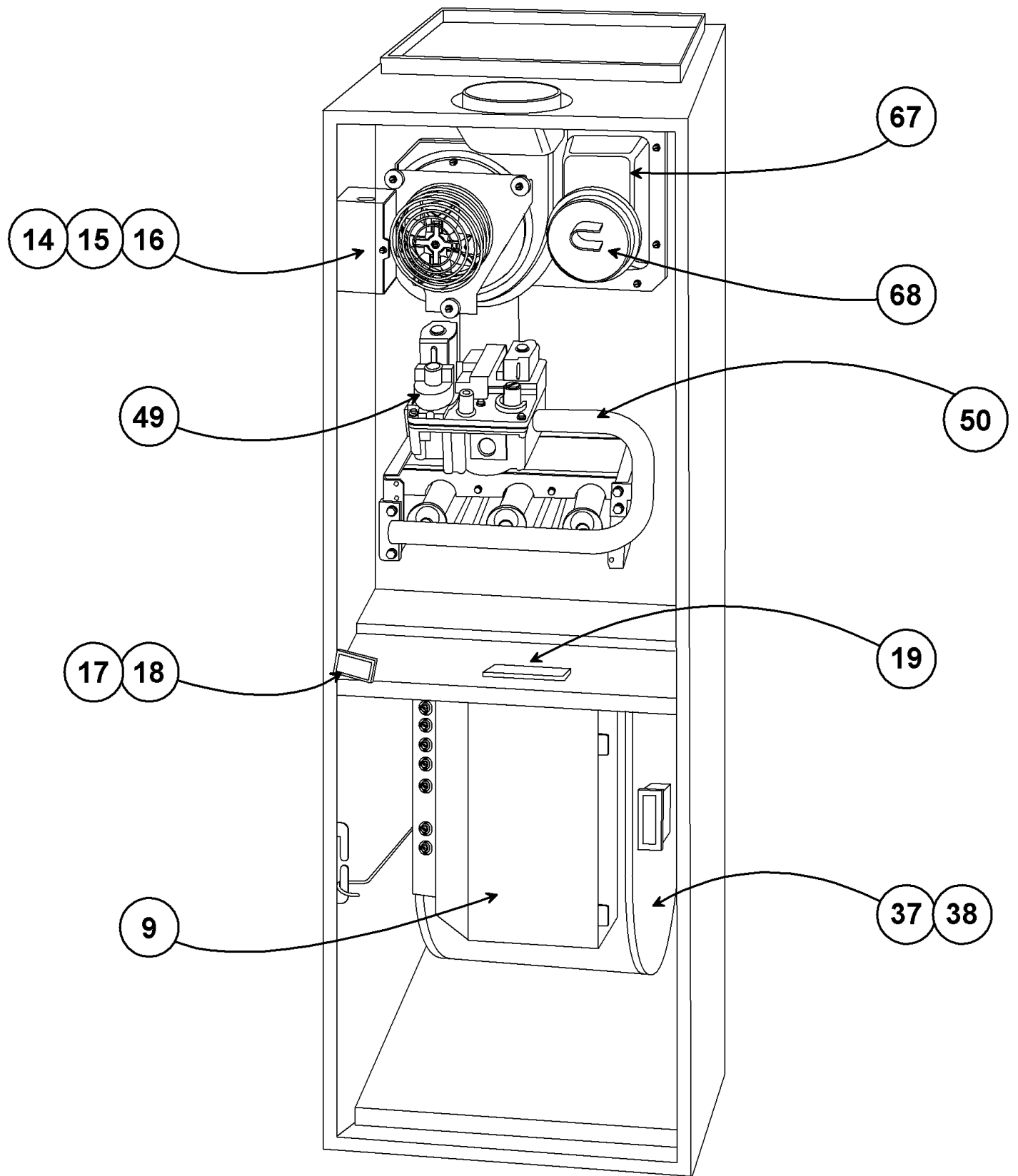


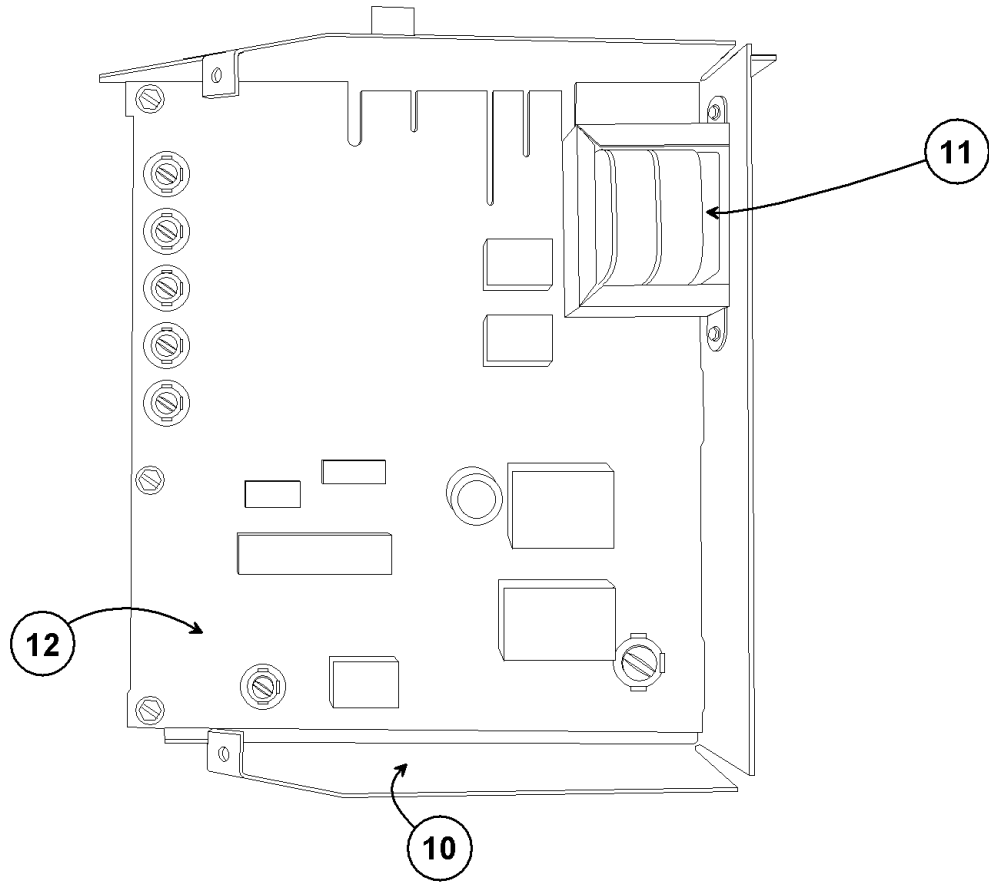
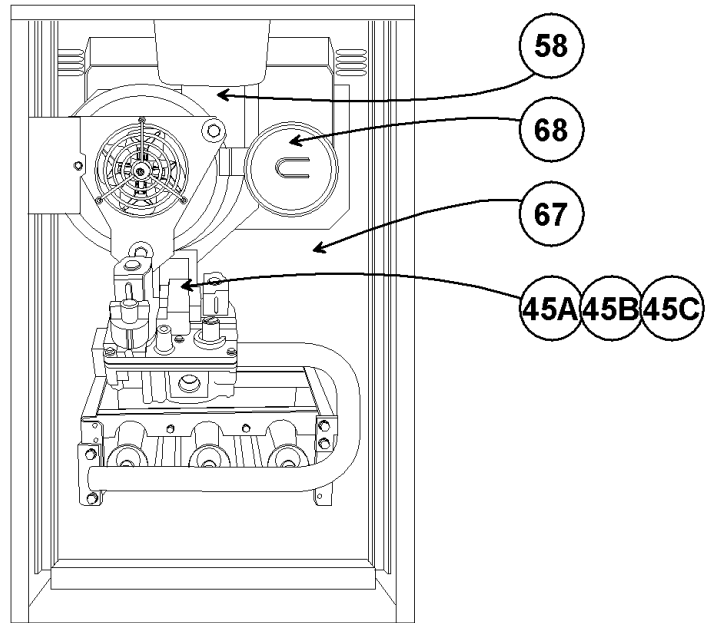
MODEL NUMBER SIGNIFICANCE CHART & FIOP CODES

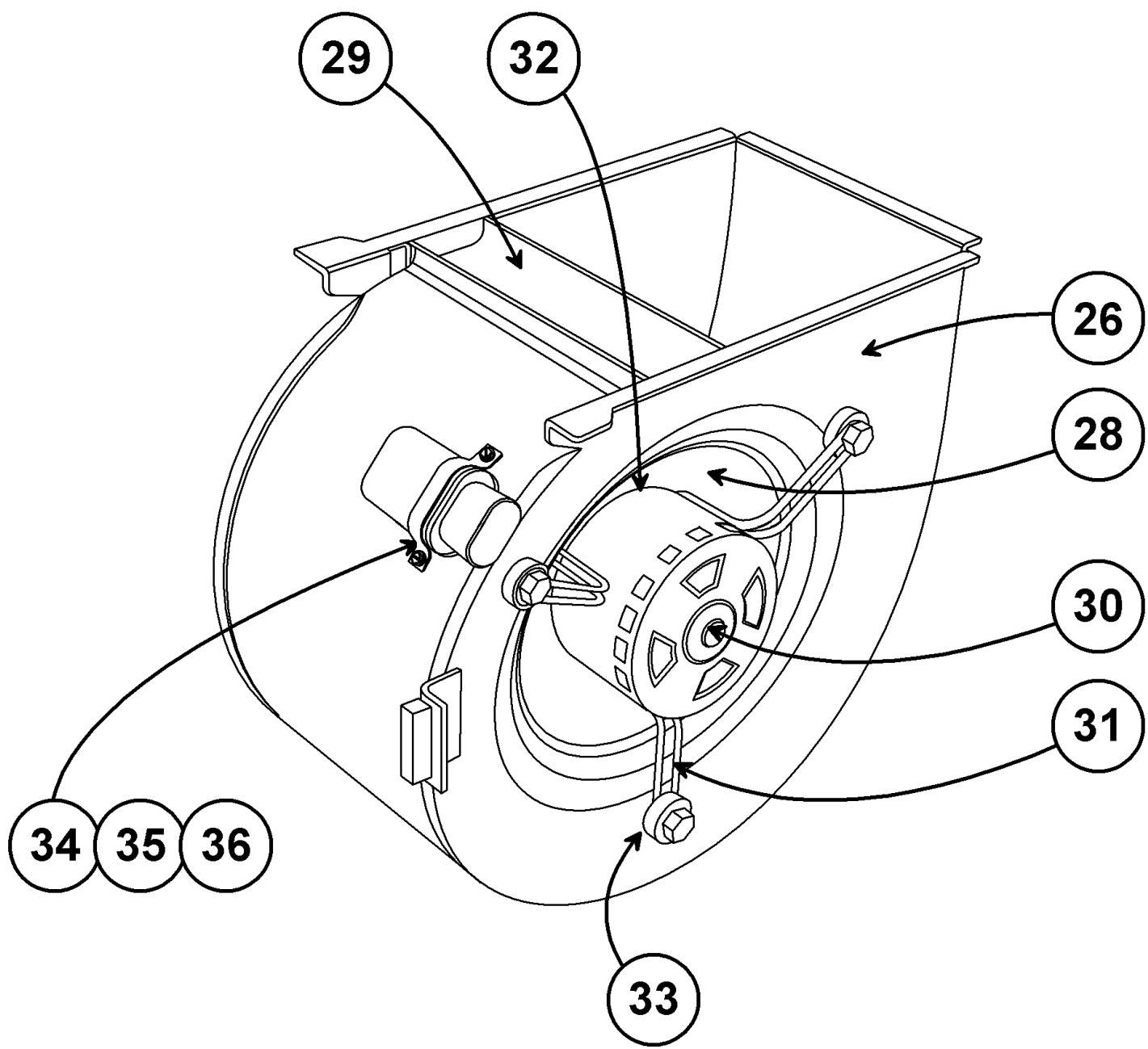
1	2	3	4	5	6	7	8	9	10	11	12	13	14	15	16
5	8	W	A	V	0	7	0	-	-	-	1	4	1	1	2

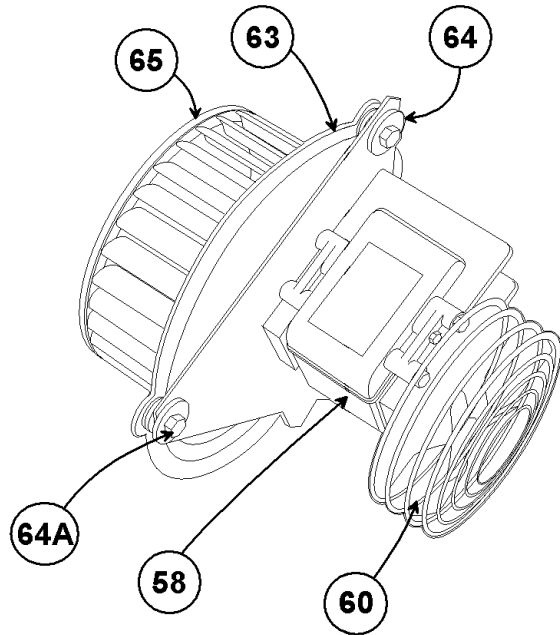
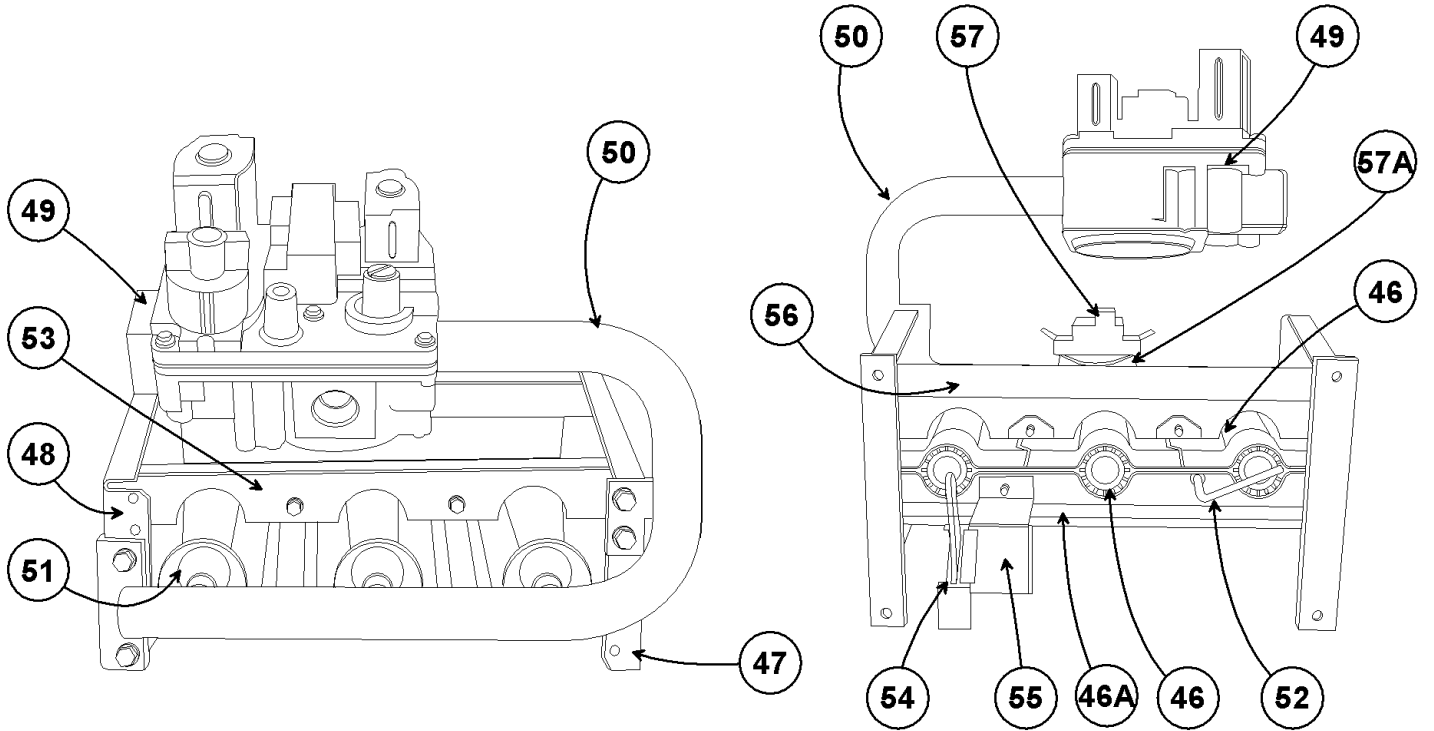












Model 58WAV091...14114

Description MID-EFFICIENCY UPFLOW GAS-FIRED FURNACE, 115-1-60

Itm#	Qty	Rec	Part Number	Description
1	1	-	321987-704	CASING ASY
1A	1	-	310214-402	TOP PLATE
2	1	-	318988-752	CONTROL DOOR KIT
2A	1	-	324970-202	> VINYL INSERT (CAC)
2B	1	-	318976-401	> DOOR HANDLE
3	1	-	323180-755	BLOWER DOOR KIT
3A	1	-	323018-201	> SIGHT GLASS
3B	1	-	323020-402	> BLOWER DOOR
4	1	-	310244-402	BOTTOM CLOSURE
6	1	-	313532-301	BLOWER SHELF BAFFLE
7	1	-	310239-402	FRONT PLATE
8	1	-	318976-401	DOOR HANDLE
8A	2	-	LF39MZ078	PLUG BUTTON 7/8" (SIDE CASING)
8B	1	-	LF39MZ150	PLUG BUTTON 1-1/2" (SIDE CASING)
8F	1	-	309946-301	NAMEPLATE
8G	1	-	PH23ZS016	TOUCH-UP PAINT (SILVER SAGE)
9	1	-	321256-702	CONTROL BOX ASSEMBLY
10	1	-	320835-403	> BRACKET-CONTROL MOUNTING
11	1	C	HT01CN001	> TRANSFORMER
12	1	C	HK42FZ016	> PRINTED CIRCUIT BOARD
13	1	-	ATC3	> FUSE
14	1	-	318970-703	AUX.JUNCTION BOX ASS'Y
15	1	-	310241-301	> COVER, JUNCTION BOX
16	1	-	310240-301	> AUX.JUNCTION BOX
16A	1	-	307566-751	FUSE LINK KIT (*NOTE): (* wire & terminal not sold separately).
16B	1	-	HY10LF286	> FUSIBLE LINK
16C	1	-	HY89AA076	> CONNECTOR WIRE
16D	1	-	HY60AM043	> TERMINAL
17	1	C	HR54ZA006	DOOR SWITCH
18	1	-	318960-201	DOOR SWITCH BRACKET
19	1	C	323080-701	MAIN WIRE HARNESS WITH FUSE LINK
20	1	-	310321-702	WIRE ASS'Y
21	1	-	HY07MP084	> RECEPTACLE
25	1	-	321956-754	BLOWER ASS'Y KIT
26	1	-	310263-778	> BLOWER HOUSING KIT
28	1	C	LA22RA100	> BLOWER WHEEL
29	1	-	310283-302	> BLOWER CUTOFF
30	1	C	HC41AE117	> FAN MOTOR
31	3	-	HC98ZZ242	> MOTOR MOUNTING ARM
32	1	-	P251-0078	> MOTOR MOUNTING BAND
33	3	-	P251-0079	> ISOLATOR GROMMET
33A	3	-	07-1824	> SCREW, MOUNTING
34	1	C	P291-0503	> CAPACITOR
35	1	-	319852-301	> STRAP, CAPACITOR
37	1	-	310258-401NLA	FILTER (FRAMED): or
37A	1	-	325531-402	FILTER (UNFRAMED): (* For use with "Media Cabinet Asy").
38	2	-	321975-201	FILTER RETAINER
39	2	-	319845-301	LATCH, FILTER WIRE
40	4	-	319844-301	RETAINER, FILTER WIRE
40A	2	-	310264-201	CLIP, FILTER
41	4	-	310203-752	HEAT EXCHANGER ASS'Y KIT
42	1	C	310222-752	CELL PANEL KIT
43	4	-	310251-401	CELL INLET PLATE
45	1	-	313531-404	CELL SPACER



Itm#	Qty	Rec	Part Number	Description
45A	1	C	HH12ZB170	LIMIT SWITCH
45B	1	-	313530-201	SHIELD, LIMIT SWITCH
45C	1	-	74526	GASKET, LIMIT SWITCH
46	4	C	318172-701	BURNER ASS'Y
46A	1	-	321251-403	BURNER SUPPORT
47	1	-	320818-401	MANIFOLD SUPPORT (RH)
48	1	-	320818-402	MANIFOLD SUPPORT (LH)
49	1	C	EF32CW198	GAS VALVE
50	1	-	310204-403	MANIFOLD
51	4	-	LH32DB202	BURNER ORIFICE #43
52	1	C	LH680014	FLAME SENSOR
53	1	-	310243-403	BURNER HOLDDOWN (BRACKET)
54	1	C	332505-751	IGNITOR
55	1	C	321250-301	IGNITOR BRACKET
56	1	-	317544-408	AIR SHIELD
58	1	C	318984-753	INDUCER MOTOR KIT: MAIN WIRE HARNESS ITEM 19, INCLUDES THE HARNESS FOR THE INDUCER MOTOR. THAT PART OF THE HARNESS IS NOT AVAILABLE SEPARATELY.
59	1	C	HC21ZE117	> MOTOR, INDUCER (25MHP)
60	1	C	326100-401	> FAN,INDUCER MOTOR
61	1	-	AS31XH280	> CLIP,INDUCER FAN
62	1	-	320819-301	PLATE, MOTOR
63	1	-	320820-302	SUPPORT, MOTOR
64	3	-	KA56GR560	GROMMET, MOTOR
64A	3	-	AL79AZ169	SCREW, MOUNT
65	1	C	LA11AA005	WHEEL, BLOWER
66	1	C	310348-757	INDUCER HSG/RELIEF BOX KIT: * Includes motor mounting hardware.
66A	1	-	322028-703	> SAFEGUARD HSG ASY
66B	1	-	318820-201	> SHAFT SEAL, INDUCER MOTOR
66C	1	-	320819-301	> PLATE, MOTOR
66D	1	-	320820-302	> SUPPORT, MOTOR
66E	1	C	HH18HA416	DRAFT SAFEGUARD AUX.LIMIT SW.
66F	1	-	317534-302	BOX, SAFEGUARD
66G	1	-	317535-301	COVER, SAFEGUARD
67	1	-	310215-792	COLLECTOR BOX KIT: (* Includes gaskets).
68	1	-	326750-751	PRESSURE SWITCH KIT (*NOTE): (* Kit includes wire which connects DSS and 090 pressure switch).
68A	1	C	HK06WC090	> PRESSURE SWITCH
69	1	-	313550-206	PRESSURE SWITCH TUBE
70	1	-	318820-201	SEAL, SHAFT(INDUCER MOTOR)
71	1	-	320887-751	GASKET KIT (*NOTE): (* Kit contains inducer motor mount gasket,collector box gasket,control box gasket & Inducer motor mount seal).
72	1	-	NLA	DROP DUCT KIT
73	1	-	NLA	FURNACE TESTER KIT
75	1	-	KGANP2801F80	NAT. TO PROPANE CONV.KIT
75A	7	-	LH32DB203	> ORIFICE (#54)
75B	7	-	LH32DB201	> ORIFICE (#55)
75C	7	-	LH32DB209	> ORIFICE (1.25MM)
75D	1	-	LH32AN102	> PILOT ORIFICE
75E	1	-	EF39ZW025	> REGULATOR SPRING (HONEYWELL)
75F	1	-	EF39ZW023	> REGULATOR SPRING (WHITE-RODGERS)
76	1	-	KGAPN2201ALL	PROPANE TO NAT.CONV.KIT
76A	7	-	LH32DB207	> ORIFICE (#42)
76B	7	-	LH32DB202	> ORIFICE (#43)
76C	7	-	LH32DB200	> ORIFICE (#44)
76D	7	-	LH32DB205	> ORIFICE (#45)
76E	1	-	LH32AN101	> PILOT ORIFICE
76F	1	-	CA64AS001	> PIPE PLUG

Itm#	Qty	Rec	Part Number	Description
76G	1	-	EF39ZW001	> REGULATOR SPRING (HONEYWELL)
76H	1	-	EF39ZW037	> REGULATOR SPRING (WHITE-RODGERS)
77	1	-	KGAHA0150N42	GAS ORIFICE KIT (NATURAL)
77A	50	-	LH32DB207	> > BURNER ORIFICE #42
78	1	-	KGAHA0250N43	GAS ORIFICE KIT (NATURAL)
78A	50	-	LH32DB202	> > BURNER ORIFICE #43
79	1	-	KGAHA0350N44	GAS ORIFICE KIT (NATURAL)
79A	50	-	LH32DB200	> > BURNER ORIFICE #44
80	1	-	KGAHA0450N45	GAS ORIFICE KIT (NATURAL)
80A	50	-	LH32DB205	> > BURNER ORIFICE #45
81	1	-	KGAHA0550N46	GAS ORIFICE KIT (NATURAL)
81A	50	-	LH32DB208	> > BURNER ORIFICE #46
82	1	-	KGAHA0650P54	GAS ORIFICE KIT (PROPANE)
82A	50	-	LH32DB203	> > BURNER ORIFICE #54
83	1	-	KGAHA0750P55	GAS ORIFICE KIT (PROPANE)
83A	50	-	LH32DB201	> > BURNER ORIFICE #55
84	1	-	KGAHA0850P56	GAS ORIFICE KIT (PROPANE)
84A	50	-	LH32DB206	> > BURNER ORIFICE #56
85	1	-	KGAFR0201ALL	FILTER RACK KIT
85A	1	-	KGAFR0206ALL	FILTER RACK KIT (6-PACK)
86	1	-	KGAWF1301UFR	FILTER KIT (UNFRAMED)
87	1	-	KGAWF1306UFR	FILTER KIT (UNFRAMED, 6-PACK)
87A	6	-	325531-402	> FILTER
100	1	-	KGAAC0101DGK	DOOR GASKET KIT
101	1	-	KGASW03012SP	POWER VENTER KIT (*SEE NOTE): (* ALL REPLACEMENT PARTS,SERVICE & WARRANTIES ARE TO BE PROVIDED BY: "FIELD CONTROLS CO." 2308 AIRPORT ROAD,KINSTON N.C. TECHNICAL SUPPORT:(800)742-8368.