

## Description

The CTE-1003 electronic thermostat is designed to be used with specific CEP/CSP-4000 series controller-actuators for controlling damper actuators and/or valves in HVAC systems. The ability to adjust minimum and maximum limits is at the thermostat rather than at the controller. This is a dual setpoint thermostat for heating and cooling applications. Several mounting methods are available.

An additional output is provided for control of the optional REE series relay modules which is not restricted by the minimum and maximum control points.

Cover construction allows for the setpoint indicator and thermometer to be either visible or concealed. Optional accessories include an insert for concealing the window, and stops to lock/restrict the setpoint adjustment(s).

## Features

- ◆ Dual setpoint for heating/cooling applications
- ◆ Adjustable min/max temperature limits
- ◆ Additional output available for control of KMC REE series relay modules
- ◆ Visible or hidden setpoint indicator
- ◆ Heating and cooling flow adjustments
- ◆ Custom scaleplates are available upon request

## Models

The following models are available:

CTE-1003-10	°F, horizontal
CTE-1003-11	°C, horizontal
CTE-1003-103	°F, vertical
CTE-1003-113	°C, vertical



## Accessories

The following accessories are available:

HFO-0026	Blanking insert
HFO-0027	Setpoint stops
HMO-5001	Toggle bolt assembly
HMO-5002	Insulating backplate 1-1/8" deep
HMO-5007	Insulating backplate 1-11/16" deep
HSO-5001	Calibration test leads

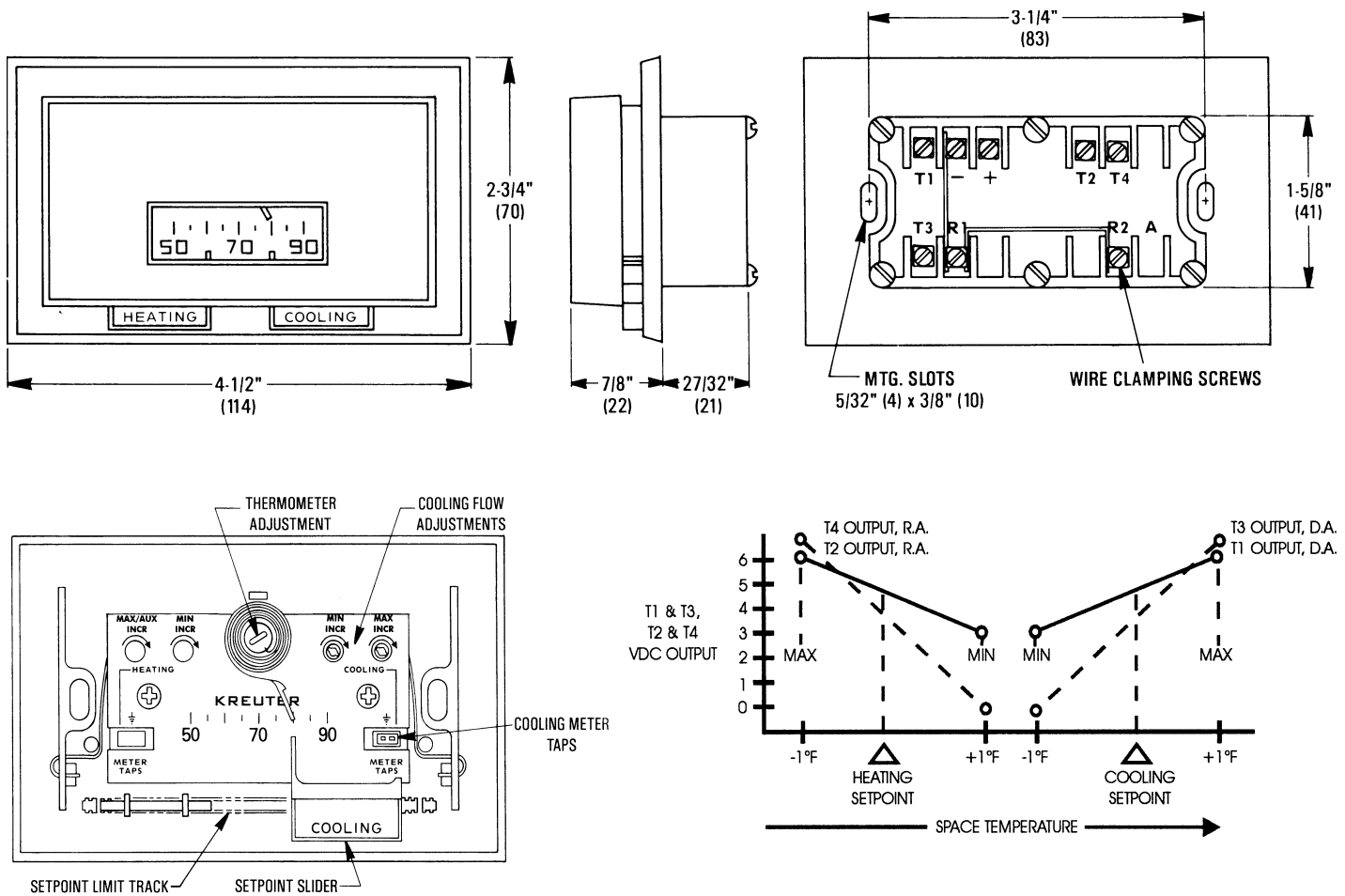
## Application

KMC CTE-1003 Room Thermostats are intended for use with the following KMC controller/actuators:

CEE-4000 Series
CEP-4000 Series
CSE-4000 Series
CSP-4000 Series

## Details

All dimensions in inches (mm)



## Specifications

<b>Supply Voltage</b>	9.1 VDC $\pm$ 5%
<b>Output Range</b>	0 to 6 VDC
<b>Range</b>	55° to 85° F (13° to 29° C)
<b>Proportional Band</b>	2° F (1.1° C)
<b>Thermostat Action</b>	
Cooling	Direct Acting
Heating	Reverse Acting
<b>Cover Type</b>	Furnished w/window
<b>Material</b>	Light Almond ABS
<b>Weight</b>	3.5 oz. (99 grams)
<b>Temperature Limits</b>	
Operating	40° to 120° F (4° to 49° C)
Shipping	-40° to 140° F (-40° to 60° C)

**KMC Controls, Inc.**  
 19476 Industrial Drive  
 New Paris, IN 46553  
 574.831.5250  
[www.kmcccontrols.com](http://www.kmcccontrols.com)