

D-3031 Pneumatic Actuator

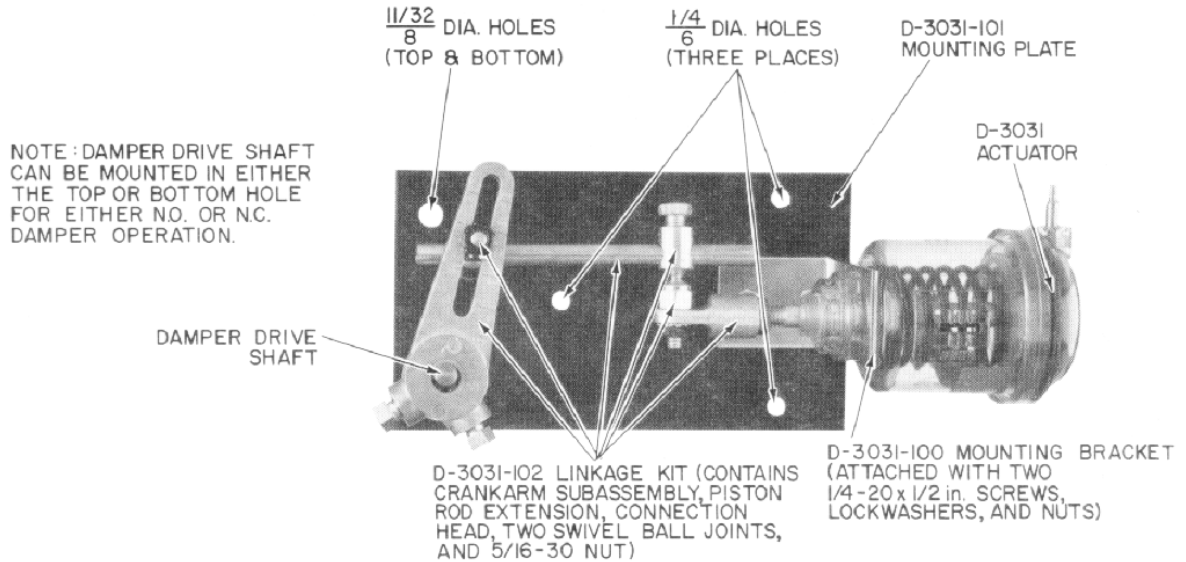


Fig. 1: Typical Wall (Type “W”) D-3031 Actuator Mounting Detail for up to 90° Blade Rotation
 Dimensions in./mm

Note: For frame (Type “F”) normally closed damper operation, discard crankarm.

**Table 1: Mounting and Linkage Parts
 (Order Each Kit Separately As Required)**

Kit No.	Qty.	Description
	1	Mounting Bracket
D-3031-100	2	1/4-20 x 1/2 in. Mounting Screws, Lockwashers, and Nuts
D-3031-101	1	Mounting Plate (Wall or Type “W”)
	1	Crankarm Subassembly
	1	Piston Rod Extension
D-3031-102	1	Connection Head
	1	5/16-30 Nut
	2	Swivel Ball Joints
	1	Installation Instructions
	1	Coupling w/Screws
D-251-2202*	1	Small Clip
	1	Large Clip
	1	Shaft Extension

* Used to adapt a shaft to a crankarm larger than 5/16 in.

Notes

JOHNSON
CONTROLS

Controls Group
507 E. Michigan Street
P.O. Box 423
Milwaukee, WI 53202

FAN 268.1
Damper and Actuator Manual
Revision Date 0390
Printed in U.S.A.