

ENGINEERING
TOMORROW

Danfoss

Datasheets

Danfoss scroll compressors **H series**



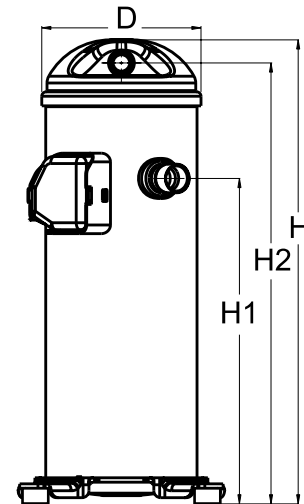
FRCC.UD.150722.231726

www.danfoss.com/odsg

General Characteristics

Model number (on compressor nameplate)		HCJ120T2LC6
Code number for Singlepack*		120U2347
Code number for Industrial pack**		120U2344
Drawing number		0SR7596B
Suction and discharge connections		Brazed
Suction connection		1-1/8" ODF
Discharge connection		7/8" ODF
Oil sight glass		None
Oil equalization connection		None
Oil drain connection		None
LP gauge port		None
IPR valve		None
Swept volume		6.9 in3/rev
Displacement @ Nominal speed		695 cfh @ 2900 rpm - 839 cfh @ 3500 rpm
Net weight		100 lbs
Oil charge		90 oz, PVE - -
Maximum system test pressure Low Side / High side		- psi / - psi
Maximum differential test pressure		- psi
Maximum number of starts per hour		-
Refrigerant charge limit		16 lbs
Approved refrigerants		R410A

Dimensions

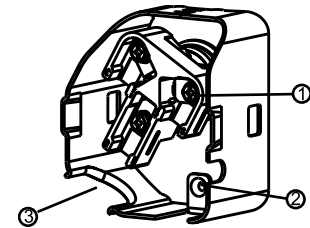


D=7.2 inch, H=21.1 inch,
H1=14.8 inch, H2=20.1 inch, H3=- inch

Electrical Characteristics

Nominal voltage	208-230V/3/60Hz
Voltage range	188-253 V
Winding resistance between phases 1-2 +/- 7% at 77°F	0.33 Ω
Winding resistance between phases 1-3 +/- 7% at 77°F	0.33 Ω
Winding resistance between phases 2-3 +/- 7% at 77°F	0.33 Ω
Rated Load Amps (RLA)	35.2 A
Maximum Continuous Current (MCC)	52.2 A
Locked Rotor Amps (LRA)	250.0 A
Motor protection	Internal overload protector

Terminal box



IP22

- 1: Screw connectors 10-32 UNF x 9.5
- 2: Earth connection
- 3: Power cable passage

Recommended Installation torques

Oil sight glass	39 ft.lbs
Power connections / Earth connection	2 ft.lbs / 1 ft.lbs

Parts shipped with compressor

Mounting kit with grommets and sleeves
Initial oil charge
Installation instructions

Approvals : CE certified, UL certified (file SA11565), -

*Singlepack: Compressor in cardboard box

**Industrial pack: 12 or 16 Unboxed compressors on pallet

Rotolock accessories, suction side

Code no.

Solder sleeve, P02 (1-3/4" Rotolock, 1-1/8" ODF)	8153004
Angle adapter, C02 (1-3/4" Rotolock, 1-1/8" ODF)	8168005
Rotolock valve, V02 (1-3/4" Rotolock, 1-1/8" ODF)	8168028
Gasket, 1-3/4"	8156132

Rotolock accessories, discharge side

Code no.

Rotolock valve, V05 (1-1/4" Rotolock, 7/8" ODF)	8168030
Gasket, 1-3/4"	8156132

Rotolock accessories, sets

Code no.

Solder sleeve adapter set, 1-1/8" ODF & 7/8" ODF	120Z0125
Valve set, V02(1"3/4~1"1/8), V05(1"1/4~7/8")	120Z0403
Gasket set, 1", 1-1/4", 1-3/4", OSG gaskets black & white	8156009

Oil / lubricants

Code no.

PVE lubricant, 320HV (FVC68D), 1 litre can	120Z5034
--	----------

Crankcase heaters

Code no.

Belt type crankcase heater, 65 W, 230 V, CE mark, UL	120Z0059
Belt type crankcase heater, 70 W, 240 V, CE mark, UL	120Z5040

Miscellaneous accessories

Code no.

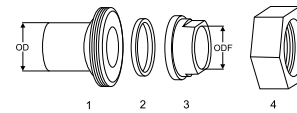
Acoustic hood	120Z5045
Discharge thermostat kit	7750009

Spare parts

Code no.

Mounting kit for 1 scroll compressor including 4 grommets, 4 sleeves, 4 bolts, 4 washers	120Z5005
Mounting kit for 1 scroll compressor including 4 grommets, 4 sleeves, 4 bolts, 4 washers	120Z5031

Solder sleeve adapter set



- 1: Rotolock adapter (Suc & Dis)
- 2: Gasket (Suc & Dis)
- 3: Solder sleeve (Suc & Dis)
- 4: Rotolock nut (Suc & Dis)

Danfoss can accept no responsibility for possible errors in catalogues, brochures and other printed material. Danfoss reserves the right to alter its products without notice. This also applies to products already on order provided that such alternations can be made without subsequential changes being necessary in specifications already agreed. All trademarks in this material are property of the respective companies. Danfoss and the Danfoss logotype and Performer are trademarks of Danfoss A/S. All rights reserved.

Performance data at 60 Hz, ARI rating conditions

R410A

Cond. temp. in °F (tc)	Evaporating temperature in °F (to)							
	-10	0	10	20	30	40	45	50

Cooling capacity in Btu/h

90	47 787	62 191	78 239	96 860	118 981	145 531	160 757	177 439	195 692
100	43 352	57 823	73 453	91 170	111 903	136 581	150 689	166 131	183 024
110	38 235	52 935	68 309	85 286	104 793	127 761	140 832	155 116	170 729
120	-	47 362	62 642	79 040	97 485	118 904	131 019	144 227	158 642
130	-	-	56 286	72 268	89 811	109 845	121 086	133 297	146 596
140	-	-	-	64 802	81 607	100 418	110 865	122 162	134 424
150	-	-	-	-	72 707	90 456	100 191	110 654	121 962

Power input in W

90	7 077	7 145	7 155	7 150	7 170	7 260	7 343	7 459	7 614
100	7 827	7 949	7 990	7 991	7 996	8 044	8 099	8 180	8 293
110	8 656	8 842	8 923	8 941	8 938	8 956	8 986	9 037	9 114
120	-	9 838	9 969	10 013	10 013	10 009	10 019	10 045	10 090
130	-	-	11 142	11 221	11 232	11 217	11 212	11 217	11 236
140	-	-	-	12 579	12 612	12 594	12 579	12 568	12 565
150	-	-	-	-	14 164	14 154	14 134	14 111	14 090

Current consumption in A

90	24.23	24.36	24.56	24.77	24.98	25.14	25.20	25.23	25.23
100	25.89	25.87	25.98	26.17	26.42	26.69	26.82	26.95	27.06
110	28.04	27.81	27.77	27.89	28.12	28.44	28.63	28.82	29.02
120	-	30.34	30.10	30.08	30.24	30.56	30.77	31.00	31.25
130	-	-	33.11	32.90	32.94	33.20	33.40	33.64	33.93
140	-	-	-	36.50	36.36	36.51	36.68	36.91	37.19
150	-	-	-	-	40.67	40.65	40.76	40.94	41.20

Mass flow in lbs/h

90	603	772	957	1 170	1 421	1 720	1 891	2 078	2 282
100	579	756	945	1 158	1 404	1 694	1 858	2 038	2 233
110	544	732	928	1 143	1 386	1 669	1 829	2 002	2 190
120	-	697	903	1 122	1 366	1 645	1 800	1 969	2 151
130	-	-	867	1 094	1 340	1 617	1 770	1 935	2 113
140	-	-	-	1 054	1 306	1 584	1 736	1 899	2 073
150	-	-	-	-	1 262	1 543	1 695	1 856	2 028

Energy Efficiency Ratio (E.E.R.)

90	6.75	8.70	10.93	13.55	16.59	20.05	21.89	23.79	25.70
100	5.54	7.27	9.19	11.41	14.00	16.98	18.61	20.31	22.07
110	4.42	5.99	7.66	9.54	11.72	14.26	15.67	17.16	18.73
120	-	4.81	6.28	7.89	9.74	11.88	13.08	14.36	15.72
130	-	-	5.05	6.44	8.00	9.79	10.80	11.88	13.05
140	-	-	-	5.15	6.47	7.97	8.81	9.72	10.70
150	-	-	-	-	5.13	6.39	7.09	7.84	8.66

Nominal performance at to = 45 °F, tc = 130 °F

Cooling capacity	121 086	Btu/h	Current consumption	33.40	A
Power input	11 212	W	Mass flow	1 770	lbs/h
E.E.R.	10.80				

Pressure switch settings

Maximum HP switch setting	653	psi(g)
Minimum LP switch setting	22	psi(g)
LP pump down setting	33	psi(g)

T 0 : Evaporating temperature at dew point

T C : Condensing temperature at dew point

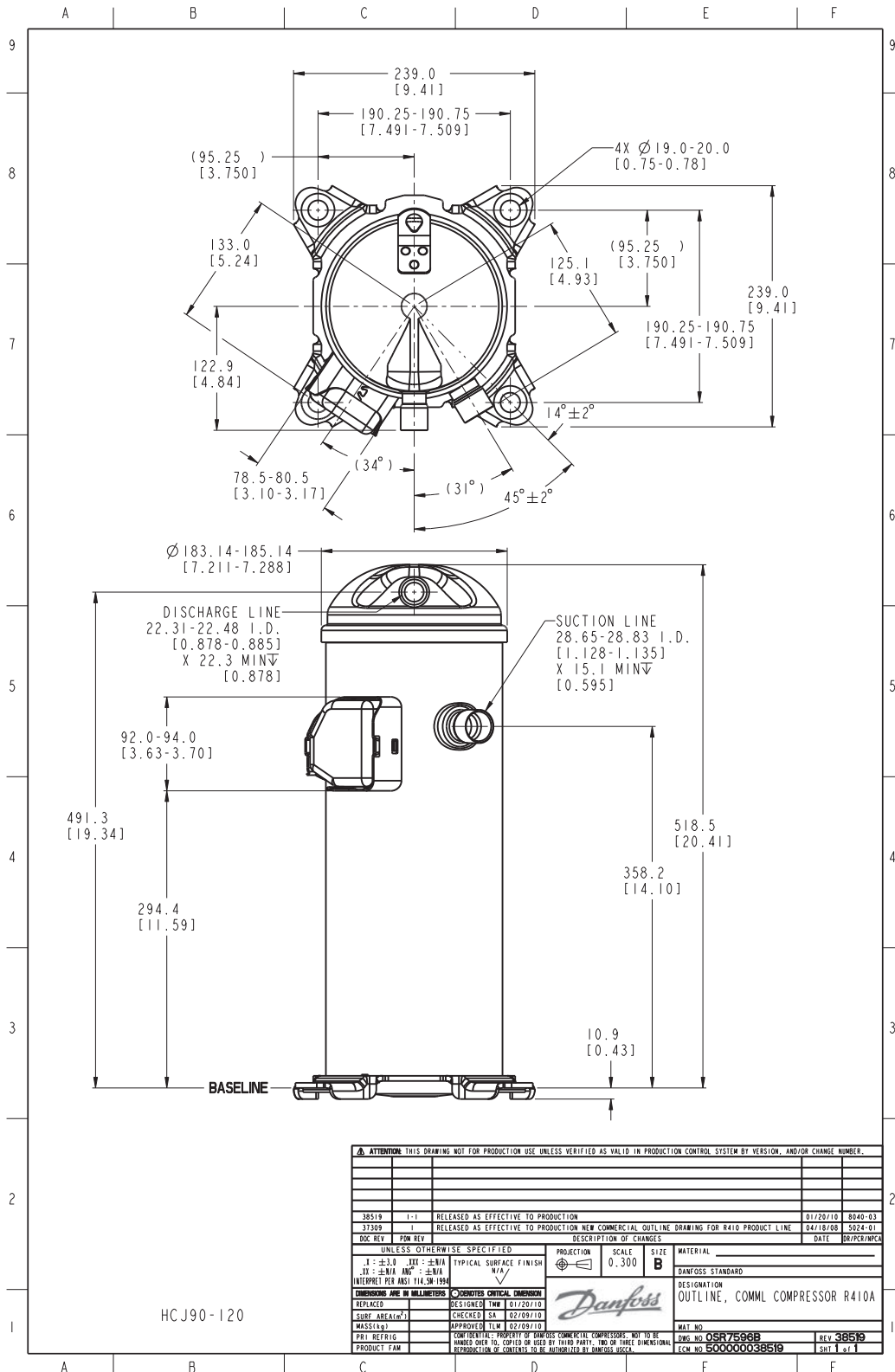
Rating conditions : Superheat = 20 °F , Subcooling = 15 °F

All performance data +/- 5%

Sound power data

Sound power level	76	dB(A)
With acoustic hood	71	dB(A)

Danfoss can accept no responsibility for possible errors in catalogues, brochures and other printed material. Danfoss reserves the right to alter its products without notice. This also applies to products already on order provided that such alternations can be made without subsequential changes being necessary in specifications already agreed. All trademarks in this material are property of the respective companies. Danfoss and the Danfoss logotype and Performer are trademarks of Danfoss A/S. All rights reserved.

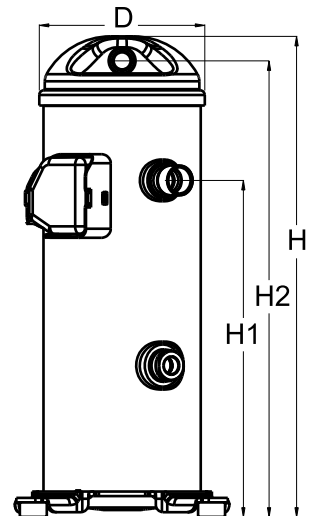


Danfoss can accept no responsibility for possible errors in catalogues, brochures and other printed material. Danfoss reserves the right to alter its products without notice. This also applies to products already on order provided that such alterations can be made without consequential changes being necessary in specifications already agreed. All trademarks in this material are property of the respective companies. Danfoss, the Danfoss logotype and Maneurop are trademarks of Danfoss A/S. All rights reserved.

General Characteristics

Model number (on compressor nameplate)		HCJ120T2LC7
Code number for Singlepack*		120U2566
Code number for Industrial pack**		120U2563
Drawing number		0SR7509B
Suction and discharge connections		Brazed
Suction connection		1-1/8" ODF
Discharge connection		7/8" ODF
Oil sight glass		Threaded
Oil equalization connection		None
Oil drain connection		None
LP gauge port		None
IPR valve		None
Swept volume		6.9 in3/rev
Displacement @ Nominal speed		695 cfh @ 2900 rpm - 839 cfh @ 3500 rpm
Net weight		100 lbs
Oil charge		90 oz, PVE - -
Maximum system test pressure Low Side / High side		- psi / - psi
Maximum differential test pressure		- psi
Maximum number of starts per hour		-
Refrigerant charge limit		16 lbs
Approved refrigerants		R410A

Dimensions

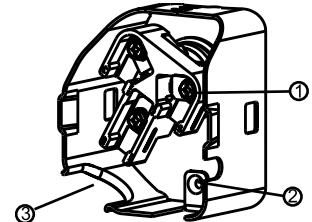


D=7.2 inch, H=21.1 inch,
H1=14.8 inch, H2=20.1 inch, H3=- inch

Electrical Characteristics

Nominal voltage	208-230V/3/60Hz
Voltage range	188-253 V
Winding resistance between phases 1-2 +/- 7% at 77°F	0.33 Ω
Winding resistance between phases 1-3 +/- 7% at 77°F	0.33 Ω
Winding resistance between phases 2-3 +/- 7% at 77°F	0.33 Ω
Rated Load Amps (RLA)	35.2 A
Maximum Continuous Current (MCC)	52.2 A
Locked Rotor Amps (LRA)	250.0 A
Motor protection	Internal overload protector

Terminal box



IP22

- 1: Screw connectors 10-32 UNF x 9.5
- 2: Earth connection
- 3: Power cable passage

Recommended Installation torques

Oil sight glass	39 ft.lbs
Power connections / Earth connection	2 ft.lbs / 1 ft.lbs

Parts shipped with compressor

Mounting kit with grommets and sleeves
Initial oil charge
Installation instructions

Approvals : CE certified, UL certified (file SA11565), -

*Singlepack: Compressor in cardboard box

**Industrial pack: 12 or 16 Unboxed compressors on pallet

Rotolock accessories, suction side

Code no.

Solder sleeve, P02 (1-3/4" Rotolock, 1-1/8" ODF)	8153004
Angle adapter, C02 (1-3/4" Rotolock, 1-1/8" ODF)	8168005
Rotolock valve, V02 (1-3/4" Rotolock, 1-1/8" ODF)	8168028
Gasket, 1-3/4"	8156132

Rotolock accessories, discharge side

Code no.

Rotolock valve, V05 (1-1/4" Rotolock, 7/8" ODF)	8168030
Gasket, 1-3/4"	8156132

Rotolock accessories, sets

Code no.

Solder sleeve adapter set, 1-1/8" ODF & 7/8" ODF	120Z0125
Valve set, V02(1"3/4~1"1/8), V05(1"1/4~7/8")	120Z0403
Gasket set, 1", 1-1/4", 1-3/4", OSG gaskets black & white	8156009

Oil / lubricants

Code no.

PVE lubricant, 320HV (FVC68D), 1 litre can	120Z5034
--	----------

Crankcase heaters

Code no.

Belt type crankcase heater, 65 W, 230 V, CE mark, UL	120Z0059
Belt type crankcase heater, 70 W, 240 V, CE mark, UL	120Z5040

Miscellaneous accessories

Code no.

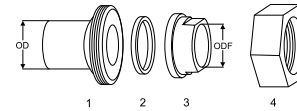
Acoustic hood	120Z5045
Discharge thermostat kit	7750009

Spare parts

Code no.

Mounting kit for 1 scroll compressor including 4 grommets, 4 sleeves, 4 bolts, 4 washers	120Z5005
Mounting kit for 1 scroll compressor including 4 grommets, 4 sleeves, 4 bolts, 4 washers	120Z5031

Solder sleeve adapter set



- 1: Rotolock adapter (Suc & Dis)
- 2: Gasket (Suc & Dis)
- 3: Solder sleeve (Suc & Dis)
- 4: Rotolock nut (Suc & Dis)

Performance data at 60 Hz, ARI rating conditions

R410A

Cond. temp. in °F (tc)	Evaporating temperature in °F (to)							
	-10	0	10	20	30	40	45	50

Cooling capacity in Btu/h

90	47 787	62 191	78 239	96 860	118 981	145 531	160 757	177 439	195 692
100	43 352	57 823	73 453	91 170	111 903	136 581	150 689	166 131	183 024
110	38 235	52 935	68 309	85 286	104 793	127 761	140 832	155 116	170 729
120	-	47 362	62 642	79 040	97 485	118 904	131 019	144 227	158 642
130	-	-	56 286	72 268	89 811	109 845	121 086	133 297	146 596
140	-	-	-	64 802	81 607	100 418	110 865	122 162	134 424
150	-	-	-	-	72 707	90 456	100 191	110 654	121 962

Power input in W

90	7 077	7 145	7 155	7 150	7 170	7 260	7 343	7 459	7 614
100	7 827	7 949	7 990	7 991	7 996	8 044	8 099	8 180	8 293
110	8 656	8 842	8 923	8 941	8 938	8 956	8 986	9 037	9 114
120	-	9 838	9 969	10 013	10 013	10 009	10 019	10 045	10 090
130	-	-	11 142	11 221	11 232	11 217	11 212	11 217	11 236
140	-	-	-	12 579	12 612	12 594	12 579	12 568	12 565
150	-	-	-	-	14 164	14 154	14 134	14 111	14 090

Current consumption in A

90	24.23	24.36	24.56	24.77	24.98	25.14	25.20	25.23	25.23
100	25.89	25.87	25.98	26.17	26.42	26.69	26.82	26.95	27.06
110	28.04	27.81	27.77	27.89	28.12	28.44	28.63	28.82	29.02
120	-	30.34	30.10	30.08	30.24	30.56	30.77	31.00	31.25
130	-	-	33.11	32.90	32.94	33.20	33.40	33.64	33.93
140	-	-	-	36.50	36.36	36.51	36.68	36.91	37.19
150	-	-	-	-	40.67	40.65	40.76	40.94	41.20

Mass flow in lbs/h

90	603	772	957	1 170	1 421	1 720	1 891	2 078	2 282
100	579	756	945	1 158	1 404	1 694	1 858	2 038	2 233
110	544	732	928	1 143	1 386	1 669	1 829	2 002	2 190
120	-	697	903	1 122	1 366	1 645	1 800	1 969	2 151
130	-	-	867	1 094	1 340	1 617	1 770	1 935	2 113
140	-	-	-	1 054	1 306	1 584	1 736	1 899	2 073
150	-	-	-	-	1 262	1 543	1 695	1 856	2 028

Energy Efficiency Ratio (E.E.R.)

90	6.75	8.70	10.93	13.55	16.59	20.05	21.89	23.79	25.70
100	5.54	7.27	9.19	11.41	14.00	16.98	18.61	20.31	22.07
110	4.42	5.99	7.66	9.54	11.72	14.26	15.67	17.16	18.73
120	-	4.81	6.28	7.89	9.74	11.88	13.08	14.36	15.72
130	-	-	5.05	6.44	8.00	9.79	10.80	11.88	13.05
140	-	-	-	5.15	6.47	7.97	8.81	9.72	10.70
150	-	-	-	-	5.13	6.39	7.09	7.84	8.66

Nominal performance at to = 45 °F, tc = 130 °F

Cooling capacity	121 086	Btu/h	Current consumption	33.40	A
Power input	11 212	W	Mass flow	1 770	lbs/h
E.E.R.	10.80				

Pressure switch settings

Maximum HP switch setting	653	psi(g)
Minimum LP switch setting	22	psi(g)
LP pump down setting	33	psi(g)

T 0 : Evaporating temperature at dew point

T C : Condensing temperature at dew point

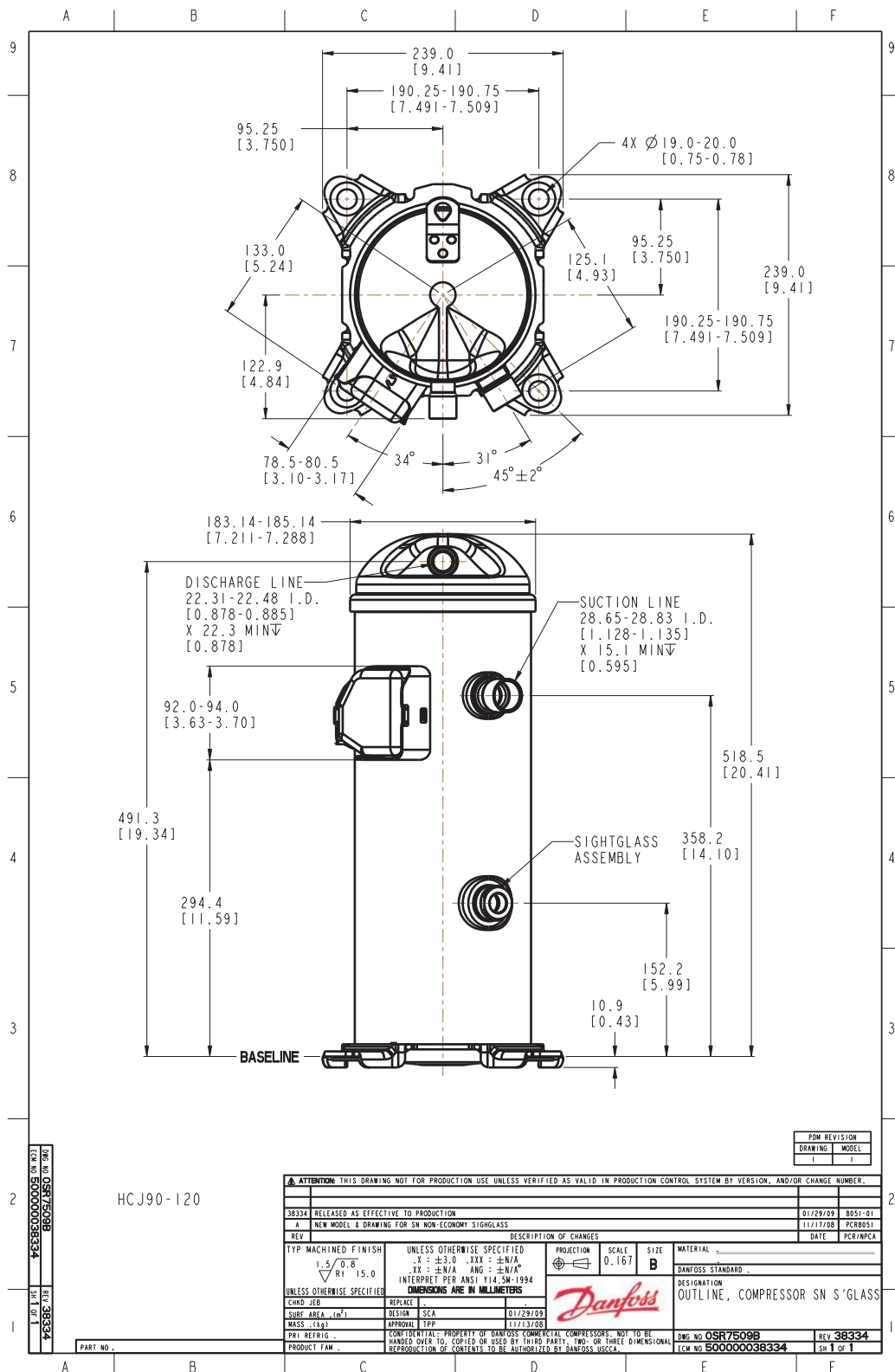
Rating conditions : Superheat = 20 °F , Subcooling = 15 °F

All performance data +/- 5%

Sound power data

Sound power level	76	dB(A)
With acoustic hood	71	dB(A)

Danfoss can accept no responsibility for possible errors in catalogues, brochures and other printed material. Danfoss reserves the right to alter its products without notice. This also applies to products already on order provided that such alternations can be made without subsequential changes being necessary in specifications already agreed. All trademarks in this material are property of the respective companies. Danfoss and the Danfoss logotype and Performer are trademarks of Danfoss A/S. All rights reserved.

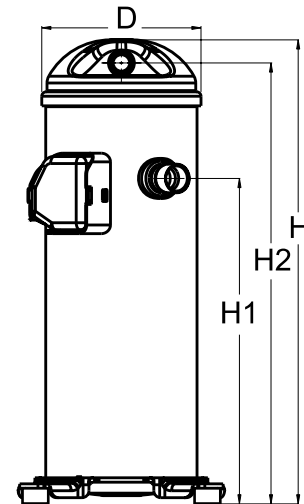


Danfoss can accept no responsibility for possible errors in catalogues, brochures and other printed material. Danfoss reserves the right to alter its products without notice. This also applies to products already on order provided that such alterations can be made without consequential changes being necessary in specifications already agreed. All trademarks in this material are property of the respective companies. Danfoss, the Danfoss logotype and Maneurop are trademarks of Danfoss A/S. All rights reserved.

General Characteristics

Model number (on compressor nameplate)		HCJ120T2LC8
Code number for Singlepack*		120U2570
Code number for Industrial pack**		120U2567
Drawing number		0SR7508B
Suction and discharge connections		Brazed
Suction connection		1-1/8" ODF
Discharge connection		7/8" ODF
Oil sight glass		None
Oil equalization connection		1/2"
Oil drain connection		None
LP gauge port		None
IPR valve		None
Swept volume		6.9 in3/rev
Displacement @ Nominal speed		695 cfh @ 2900 rpm - 839 cfh @ 3500 rpm
Net weight		100 lbs
Oil charge		90 oz, PVE - -
Maximum system test pressure Low Side / High side		- psi / - psi
Maximum differential test pressure		- psi
Maximum number of starts per hour		-
Refrigerant charge limit		16 lbs
Approved refrigerants		R410A

Dimensions

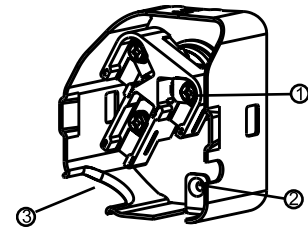


D=7.2 inch, H=21.1 inch,
H1=14.8 inch, H2=20.1 inch, H3=- inch

Electrical Characteristics

Nominal voltage	208-230V/3/60Hz
Voltage range	188-253 V
Winding resistance between phases 1-2 +/- 7% at 77°F	0.33 Ω
Winding resistance between phases 1-3 +/- 7% at 77°F	0.33 Ω
Winding resistance between phases 2-3 +/- 7% at 77°F	0.33 Ω
Rated Load Amps (RLA)	35.2 A
Maximum Continuous Current (MCC)	52.2 A
Locked Rotor Amps (LRA)	250.0 A
Motor protection	Internal overload protector

Terminal box



IP22

- 1: Screw connectors 10-32 UNF x 9.5
- 2: Earth connection
- 3: Power cable passage

Recommended Installation torques

Oil sight glass	39 ft.lbs
Power connections / Earth connection	2 ft.lbs / 1 ft.lbs

Parts shipped with compressor

Mounting kit with grommets and sleeves
Initial oil charge
Installation instructions

Approvals : CE certified, UL certified (file SA11565), -

*Singlepack: Compressor in cardboard box

**Industrial pack: 12 or 16 Unboxed compressors on pallet

Rotolock accessories, suction side

Code no.

Solder sleeve, P02 (1-3/4" Rotolock, 1-1/8" ODF)	8153004
Angle adapter, C02 (1-3/4" Rotolock, 1-1/8" ODF)	8168005
Rotolock valve, V02 (1-3/4" Rotolock, 1-1/8" ODF)	8168028
Gasket, 1-3/4"	8156132

Rotolock accessories, discharge side

Code no.

Rotolock valve, V05 (1-1/4" Rotolock, 7/8" ODF)	8168030
Gasket, 1-3/4"	8156132

Rotolock accessories, sets

Code no.

Solder sleeve adapter set, 1-1/8" ODF & 7/8" ODF	120Z0125
Valve set, V02(1"3/4~1"1/8), V05(1"1/4~7/8")	120Z0403
Gasket set, 1", 1-1/4", 1-3/4", OSG gaskets black & white	8156009

Oil / lubricants

Code no.

PVE lubricant, 320HV (FVC68D), 1 litre can	120Z5034
--	----------

Crankcase heaters

Code no.

Belt type crankcase heater, 65 W, 230 V, CE mark, UL	120Z0059
Belt type crankcase heater, 70 W, 240 V, CE mark, UL	120Z5040

Miscellaneous accessories

Code no.

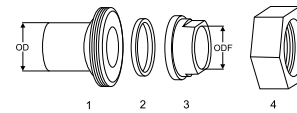
Acoustic hood	120Z5045
Discharge thermostat kit	7750009

Spare parts

Code no.

Mounting kit for 1 scroll compressor including 4 grommets, 4 sleeves, 4 bolts, 4 washers	120Z5005
Mounting kit for 1 scroll compressor including 4 grommets, 4 sleeves, 4 bolts, 4 washers	120Z5031

Solder sleeve adapter set



- 1: Rotolock adapter (Suc & Dis)
- 2: Gasket (Suc & Dis)
- 3: Solder sleeve (Suc & Dis)
- 4: Rotolock nut (Suc & Dis)

Performance data at 60 Hz, ARI rating conditions

R410A

Cond. temp. in °F (tc)	Evaporating temperature in °F (to)							
	-10	0	10	20	30	40	45	50

Cooling capacity in Btu/h

90	47 787	62 191	78 239	96 860	118 981	145 531	160 757	177 439	195 692
100	43 352	57 823	73 453	91 170	111 903	136 581	150 689	166 131	183 024
110	38 235	52 935	68 309	85 286	104 793	127 761	140 832	155 116	170 729
120	-	47 362	62 642	79 040	97 485	118 904	131 019	144 227	158 642
130	-	-	56 286	72 268	89 811	109 845	121 086	133 297	146 596
140	-	-	-	64 802	81 607	100 418	110 865	122 162	134 424
150	-	-	-	-	72 707	90 456	100 191	110 654	121 962

Power input in W

90	7 077	7 145	7 155	7 150	7 170	7 260	7 343	7 459	7 614
100	7 827	7 949	7 990	7 991	7 996	8 044	8 099	8 180	8 293
110	8 656	8 842	8 923	8 941	8 938	8 956	8 986	9 037	9 114
120	-	9 838	9 969	10 013	10 013	10 009	10 019	10 045	10 090
130	-	-	11 142	11 221	11 232	11 217	11 212	11 217	11 236
140	-	-	-	12 579	12 612	12 594	12 579	12 568	12 565
150	-	-	-	-	14 164	14 154	14 134	14 111	14 090

Current consumption in A

90	24.23	24.36	24.56	24.77	24.98	25.14	25.20	25.23	25.23
100	25.89	25.87	25.98	26.17	26.42	26.69	26.82	26.95	27.06
110	28.04	27.81	27.77	27.89	28.12	28.44	28.63	28.82	29.02
120	-	30.34	30.10	30.08	30.24	30.56	30.77	31.00	31.25
130	-	-	33.11	32.90	32.94	33.20	33.40	33.64	33.93
140	-	-	-	36.50	36.36	36.51	36.68	36.91	37.19
150	-	-	-	-	40.67	40.65	40.76	40.94	41.20

Mass flow in lbs/h

90	603	772	957	1 170	1 421	1 720	1 891	2 078	2 282
100	579	756	945	1 158	1 404	1 694	1 858	2 038	2 233
110	544	732	928	1 143	1 386	1 669	1 829	2 002	2 190
120	-	697	903	1 122	1 366	1 645	1 800	1 969	2 151
130	-	-	867	1 094	1 340	1 617	1 770	1 935	2 113
140	-	-	-	1 054	1 306	1 584	1 736	1 899	2 073
150	-	-	-	-	1 262	1 543	1 695	1 856	2 028

Energy Efficiency Ratio (E.E.R.)

90	6.75	8.70	10.93	13.55	16.59	20.05	21.89	23.79	25.70
100	5.54	7.27	9.19	11.41	14.00	16.98	18.61	20.31	22.07
110	4.42	5.99	7.66	9.54	11.72	14.26	15.67	17.16	18.73
120	-	4.81	6.28	7.89	9.74	11.88	13.08	14.36	15.72
130	-	-	5.05	6.44	8.00	9.79	10.80	11.88	13.05
140	-	-	-	5.15	6.47	7.97	8.81	9.72	10.70
150	-	-	-	-	5.13	6.39	7.09	7.84	8.66

Nominal performance at to = 45 °F, tc = 130 °F

Cooling capacity	121 086	Btu/h	Current consumption	33.40	A
Power input	11 212	W	Mass flow	1 770	lbs/h
E.E.R.	10.80				

Pressure switch settings

Maximum HP switch setting	653	psi(g)
Minimum LP switch setting	22	psi(g)
LP pump down setting	33	psi(g)

T 0 : Evaporating temperature at dew point

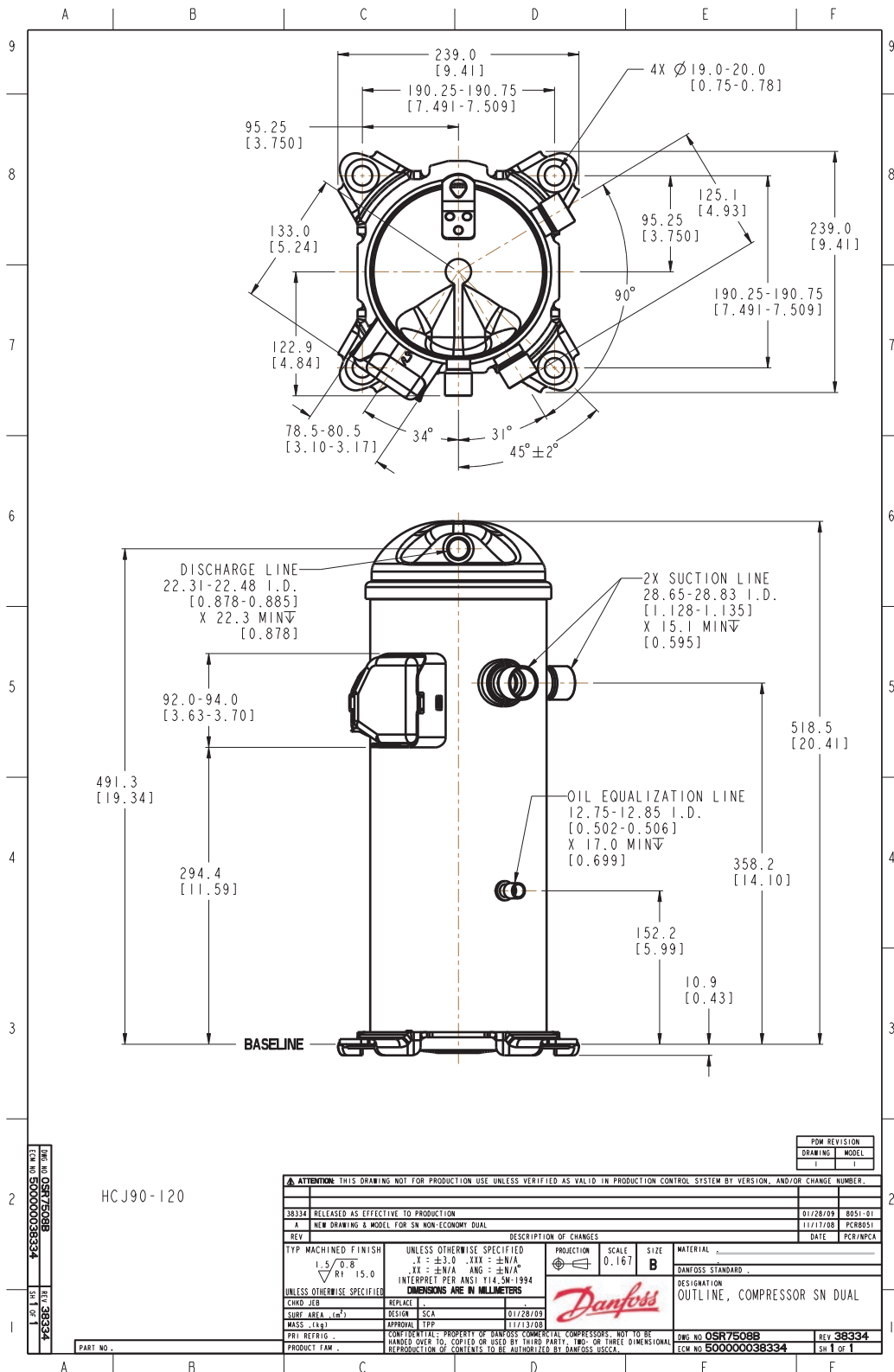
T C : Condensing temperature at dew point

Rating conditions : Superheat = 20 °F , Subcooling = 15 °F

All performance data +/- 5%

Sound power data

Sound power level	76	dB(A)
With acoustic hood	71	dB(A)



Danfoss can accept no responsibility for possible errors in catalogues, brochures and other printed material. Danfoss reserves the right to alter its products without notice. This also applies to products already on order provided that such alterations can be made without sequential changes being necessary in specifications already agreed. All trademarks in this material are property of the respective companies. Danfoss, the Danfoss logotype and Maneurop are trademarks of Danfoss A/S. All rights reserved.