



## Three and Four Pole DP Series Definite Purpose Contactors

### Application

These three and four pole definite purpose electromagnetically operated contactors provide switching for starting of induction motors. Refer to Table 1 for contact ratings.

TABLE 1—CONTACT RATINGS<sup>a</sup>.

Model Rating (A)	Line Volts	Motor Load Rating A/Pole		Resistive Load Per Pole	
		AFL	ALR	A	kW
25	240/277	25.0	150	35	8.4/9.7
	480	25.0	125	35	16.8
	600	25.0	100	35	21.0
30	240/277	30.0	180	40	9.6/11.1
	480	30.0	150	40	19.2
	600	30.0	120	40	24.0
40	240/277	40.0	240	50	12.0/13.9
	480	40.0	200	50	24.0
	600	40.0	160	50	30.0
50	240/277	50.0	300	63	15.1/13.9
	480	50.0	250	63	30.2
	600	50.0	200	63	37.8
60	240/277	60.0	360	75	18.0/20.8
	480	60.0	300	75	36.0
	600	60.0	240	75	45.0
75	240/277	75.0	450	93	22.3/25.8
	480	75.0	375	93	44.6
	600	75.0	300	93	55.8
90	240/277	90.0	540	112	26.9/31.0
	480	90.0	450	112	53.8
	600	90.0	360	112	67.2
120	240/277	120.0	720	150	36.0/41.6
	480	120.0	600	150	72.0
	600	120.0	480	150	90.0

<sup>a</sup>Above 240V breaks all lines.

### Installation

#### WHEN INSTALLING THIS PRODUCT...

1. Read these instructions carefully. Failure to follow them could damage the product or cause a hazardous condition.
2. Check the ratings given in the instructions and on the product to make sure the product is suitable for your application.

3. Installer must be a trained, experienced service technician.

4. After installation is complete, check out product operation as provided in these instructions.



### CAUTION

Disconnect power supply before beginning installation to prevent electrical shock or equipment damage.

#### LOCATION

Locate the contactor on a flat, solid surface as close as possible to the equipment being controlled.

#### MOUNTING AND WIRING

Disconnect power supply before beginning installation to prevent electrical shock or equipment damage.

All wiring must comply with local codes and ordinances.

**IMPORTANT:** Do not exceed the contact and coil ratings when wiring contactor into the system.

#### New Installation

1. Mount the contactor in a vertical position for best performance. Horizontally mounted contactors only meet the resistive load ratings.
2. Use screws to mount the contactor.
3. Refer to equipment manufacturer wiring instructions or refer to Fig. 1 and 2.
4. Attach line wires to the appropriate terminals.
5. Attach load wires to the appropriate terminals.
6. Use pressure lugs for field wiring with wire larger than No. 8.

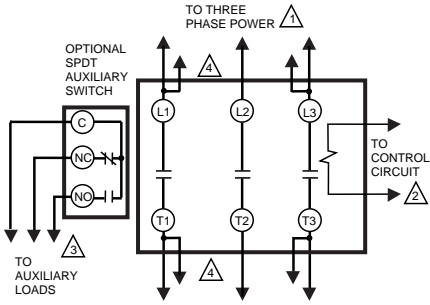
#### Replacement Installation

1. Remove and identify contact and coil leads so they can be correctly connected to the new contactor.
2. Remove the mounting screws from the old contactor.
3. Mount the new contactor using the screws provided.
4. Reconnect the contact and coil leads to the proper terminals

### Checkout

Always conduct a thorough checkout when installation is complete. Restore power supply and operate the contactor and controlled equipment to assure the contactor pulls in when coil is energized and controlled equipment operates as intended.

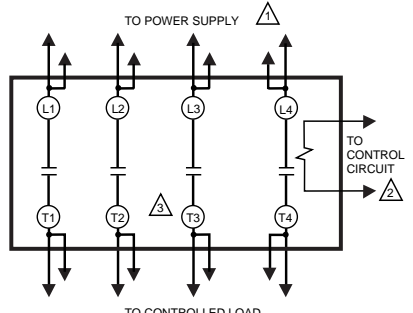
**Fig. 1—Typical hookup for 3-pole contactor.**



- 1 ADD DISCONNECT MEANS AND OVERLOAD PROTECTION AS REQUIRED.
- 2 INCLUDES LINE OR LOW VOLTAGE POWER SUPPLY AND THERMOSTAT.
- 3 OPTIONAL SPDT AUXILIARY INTERLOCK 1 OR 2 MAY BE MOUNTED.
- 4 QUICK-CONNECT TERMINALS PROVIDED ON SOME MODELS. USE FOR ACCESSORY CONNECTIONS ONLY.

M895A

**Fig. 2—Typical hookup for 4-pole contactor.**



- 1 ADD DISCONNECT MEANS AND OVERLOAD PROTECTION AS REQUIRED.
- 2 INCLUDES LINE OR LOW VOLTAGE POWER SUPPLY AND THERMOSTAT OR OTHER CONTROLLER.
- 3 QUICK-CONNECT TERMINALS FOR ACCESSORY CONNECTIONS ONLY.

M8807

**Home and Building Control**  
 Honeywell Inc.  
 1985 Douglas Drive North  
 Golden Valley, MN 55422

**Home and Building Control**  
 Honeywell Limited—Honeywell Limitée  
 740 Ellesmere Road  
 Scarborough, Ontario  
 M1P 2V9

*Helping You Control Your World*