

BALDOR® • ***RELIANCE***

Product Information Packet

EJMM3212T

5HP,3450RPM,3PH,60HZ,182JM,3623M,OPSB,F1

Part Detail							
Revision:	H	Status:	PRD/A	Change #:		Proprietary:	No
Type:	AC	Prod. Type:	3623M	Elec. Spec:	36WGS040	CD Diagram:	CD0005
Enclosure:	OPSB	Mfg Plant:		Mech. Spec:	36G687	Layout:	36LYG687
Frame:	182JM	Mounting:	F1	Poles:	02	Created Date:	05-06-2010
Base:	RG	Rotation:	R	Insulation:	F	Eff. Date:	11-07-2016
Leads:	9#16					Replaced By:	
Literature:		Elec. Diagram:					

Nameplate NP1259L										
CAT.NO.	EJMM3212T									
SPEC.	36G687S040G1									
HP	5									
VOLTS	230/460									
AMP	12/6									
RPM	3450									
FRAME	182JM				HZ	60			PH	3
SER.F.	1.15		CODE	K	DES	A		CL	F	
NEMA-NOM-EFF	86.5		PF	91						
RATING	40C AMB-CONT									
CC	010A				USABLE AT 208V			12.8		
DE	6207				ODE	6205				
ENCL	OPSB		SN							

Parts List		
Part Number	Description	Quantity
SA194595	SA 36G687S040G1	1.000 EA
RA182181	RA 36G687S040G1	1.000 EA
36CB3004	36 CB CASTING W/1.09 DIA LEAD HOLE @ 6:0	1.000 EA
51XB1016A08	10-16X 1/2HXWSSLD SERTYB	2.000 EA
11XW1032G06	10-32 X .38, TAPTITE II, HEX WSHR SLTD U	1.000 EA
HW3001B01	BRASS CUP WASHER, FOR #8 SCREW	1.000 EA
36FE3200A25	FREP ASSEMBLY FOR ROUTING PURPOSES	1.000 EA
HA1103A08	RODENT SCREEN, 36 FRAME, OPEN, FRONT END	1.000 EA
51XW1032A06	10-32 X .38, TAPTITE II, HEX WSHR SLTD S	4.000 EA
HW1000A10	#10 FLAT WASHER (SAE)	4.000 EA
HW4500A01	1641B(ALEMITE)400 UNIV, GREASE FITT	1.000 EA
HW4500A17	317400 ALEMITE GREASE RELIEF	1.000 EA
HW5100A05	WVY WSHR F/205 & 304 BRGS	1.000 EA
36PE3405A04	PUEP 182-4C OPEN 207 BRG W/ TSLV, GRGR	1.000 EA
HA1102A07	RODENT SCREEN 36 OPEN FACE	2.000 EA
51XW1032A06	10-32 X .38, TAPTITE II, HEX WSHR SLTD S	4.000 EA
HW1000A10	#10 FLAT WASHER (SAE)	4.000 EA
HW4500A01	1641B(ALEMITE)400 UNIV, GREASE FITT	1.000 EA
HW4500A17	317400 ALEMITE GREASE RELIEF	1.000 EA
10XN2520A24	1/4-20X 1 1/2 HEX HD X	4.000 EA
HW1001A25	LOCKWASHER 1/4, ZINC PLT .493 OD, .255 I	4.000 EA
36CB4516	36 LIPPED CB LID	1.000 EA
51XW0832A07	8-32 X .44, TAPTITE II, HEX WSHR SLTD SE	4.000 EA
HA1005A07	SLINGER, OD 2.25, ID 1.344, 307 BRG	1.000 EA

Parts List (continued)		
Part Number	Description	Quantity
HW2501D13	KEY, 3/16 SQ X 1.375	1.000 EA
HA7000A01	KEY RETAINER 7/8" DIA SHAFT	1.000 EA
85XU0407S04	4X1/4 U DRIVE PIN STAINLESS	2.000 EA
MJ1000A02	GREASE, POLYREX EM EXXON (USe 4824-15A)	0.050 LB
MG1000Y03	MUNSELL 2.53Y 6.70/ 4.60, GLOSS 20,	0.022 GA
HA3101A23	THRUBOLT 1/4-20 X 9.625 DEMBY	4.000 EA
36AD2004A01	BAFFLE PLATE,MOD 36-SLTD BAND MTRS DELTA	2.000 EA
LC0005E01	CONN.DIA./WARNING LABEL (LC0005/LB1119N)	1.000 EA
NP1259L	ALUM SUPER-E UL CSA-EEV CC NEMA PREMIUM	1.000 EA
G7PA1000	PKG GRP, PRINT PK1034A06	1.000 EA
MN416A01	TAG-INSTAL-MAINT no wire (1000/bx) 11/14	1.000 EA

AC Induction Motor Performance Data

Record # 53354 - Typical performance - not guaranteed values

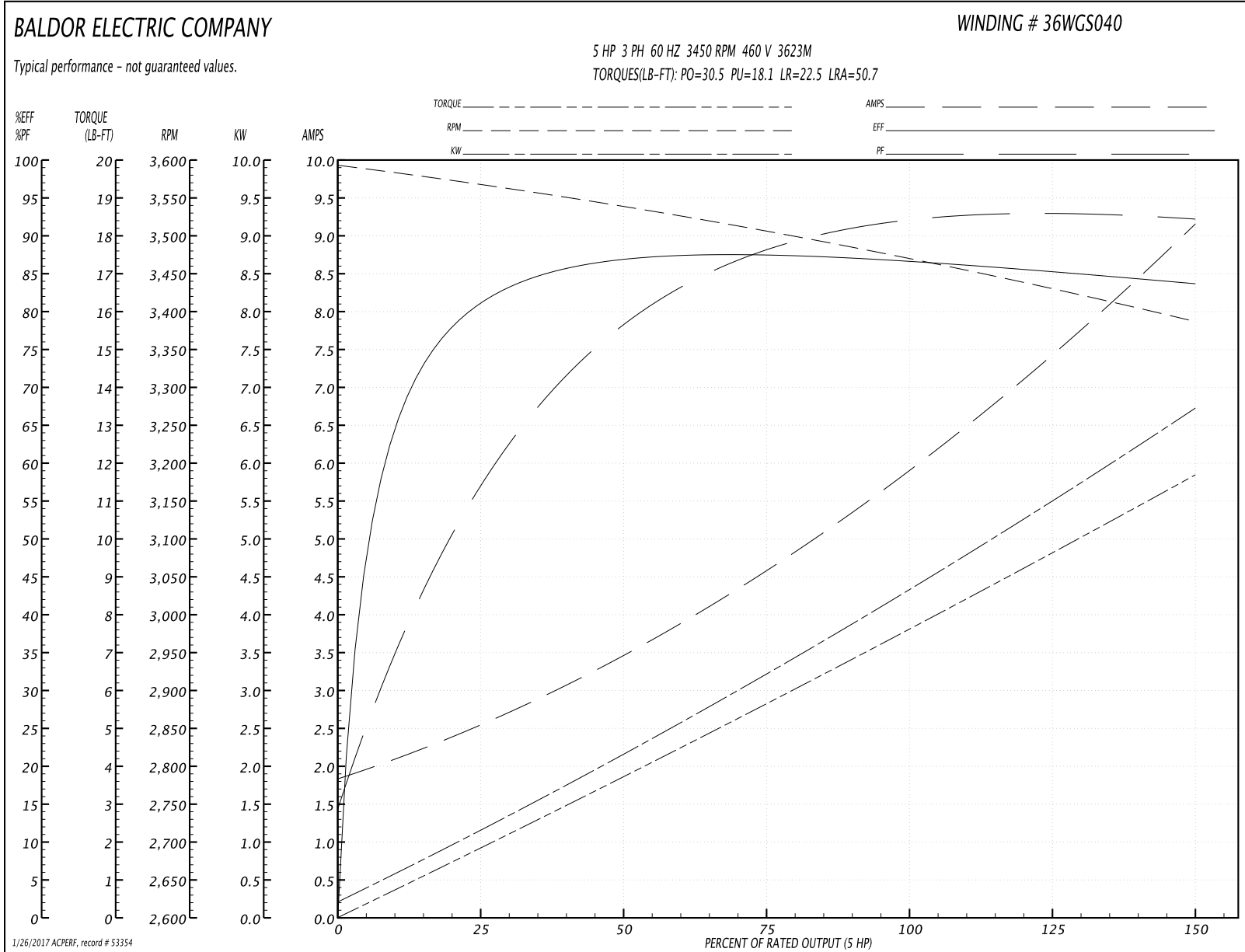
Winding: 36WGS040-R014	Type: 3623M	Enclosure: OPSB
-------------------------------	--------------------	------------------------

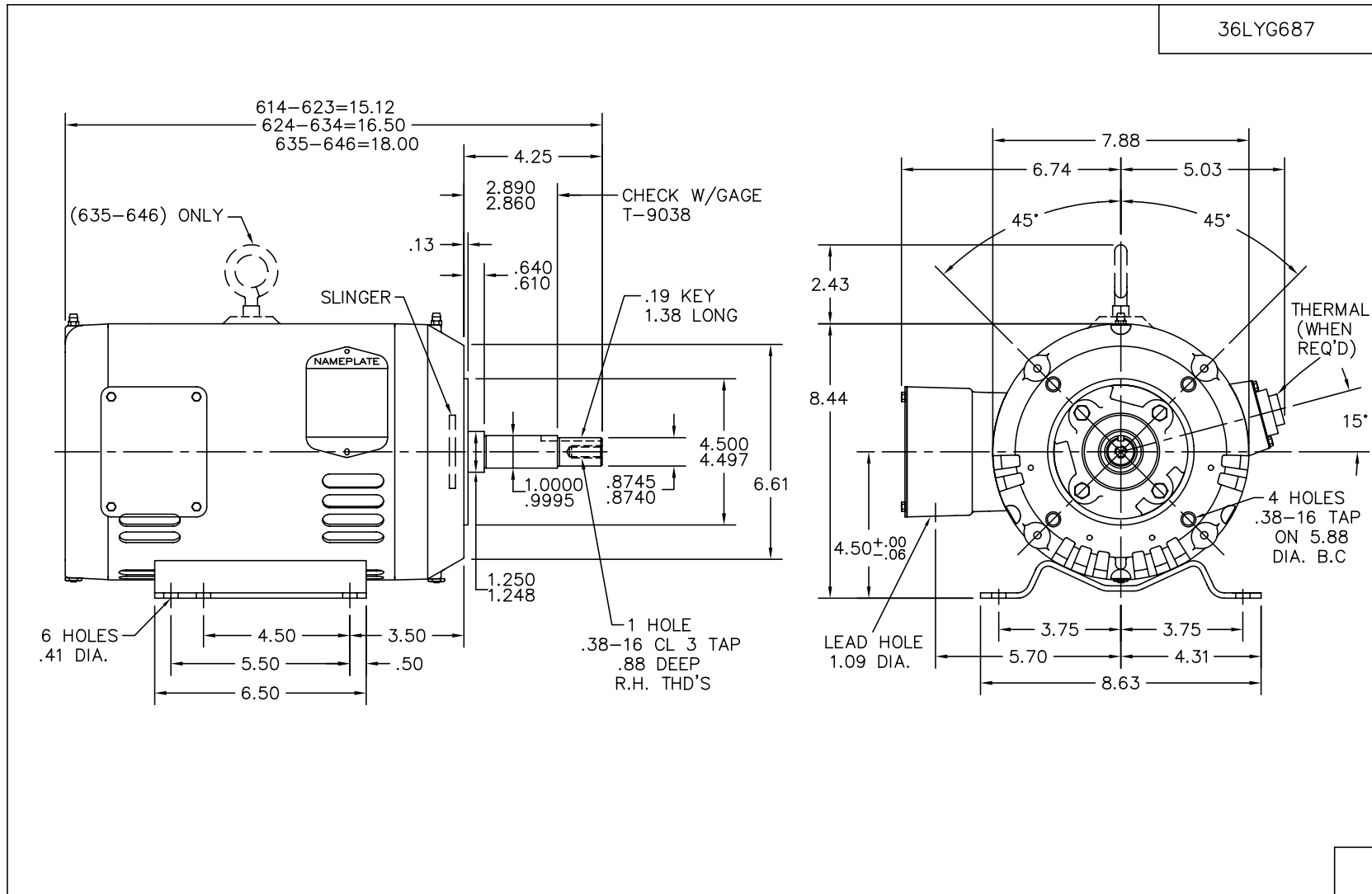
Nameplate Data				460 V, 60 Hz: High Voltage Connection	
Rated Output (HP)	5			Full Load Torque	7.66 LB-FT
Volts	230/460			Start Configuration	direct on line
Full Load Amps	12/6			Breakdown Torque	30.5 LB-FT
R.P.M.	3450			Pull-up Torque	18.1 LB-FT
Hz	60	Phase	3	Locked-rotor Torque	22.5 LB-FT
NEMA Design Code	A	KVA Code	K	Starting Current	50.7 A
Service Factor (S.F.)	1.15			No-load Current	1.93 A
NEMA Nom. Eff.	86.5	Power Factor	91	Line-line Res. @ 25°C	3.06 Ω
Rating - Duty	40C AMB-CONT			Temp. Rise @ Rated Load	34°C
S.F. Amps				Temp. Rise @ S.F. Load	42°C
				Locked-rotor Power Factor	50
				Rotor inertia	0.103 LB-FT ²

Load Characteristics 460 V, 60 Hz, 5 HP

% of Rated Load	25	50	75	100	125	150	S.F.
Power Factor	62	81	88	91	92	93	92
Efficiency	81.1	86.7	87.6	86.9	85.5	83.7	86.1
Speed	3567	3537	3506	3469	3429	3387	3445
Line amperes	2.45	3.44	4.64	6.02	7.51	9.09	6.91

Performance Graph at 460V, 60Hz, 5.0HP Typical performance - Not guaranteed values





36LYG687

CUST. NAME		CUST. P.O.		CERTIFIED BY		MODEL		INSUL		AMB		
H.P.		MTG		TYPE		R.P.M.		VOLTS		ENCL		
PHASE		FREQ		FRAME		REV. DESC: CHG'D CONDUIT BOX AND LID (SEE EC09)						
REV. LTR: D		BY: JED		REVISED: 02/23/99 8:11		TDR: 0171565						
FILE: AAA00004132		MDL: -						<h2>BALDOR ELECTRIC Co.</h2> <p>STD HORZ 182-4JM OPSB 36M W/SCREENS</p>				
MTL: -		36LYG687										

CD0005



LOW VOLTAGE
(2Y)



LINE

HIGH VOLTAGE
(1Y)



LINE

NOTES:

1. INTERCHANGE ANY TWO LINE LEADS TO REVERSE ROTATION.
2. OPTIONAL THERMOSTATS ARE PROVIDED WHEN SPECIFIED.
3. ACTUAL NUMBER OF INTERNAL PARALLEL CIRCUITS MAY BE A MULTIPLE OF THOSE SHOWN ABOVE.
4. LEAD COLORS ARE OPTIONAL. LEADS MUST ALWAYS BE NUMBERED AS SHOWN.

REV. DESC: REVISE TO SHOW OPTIONAL COLORS

REV. LTR: E BY: JLP

REVISED: 01/19/99 10:15

TDR: 0171435

9000D

FILE: AAA00005140

MDL: -

MTL: -

BALDOR ELECTRIC Co.

3PH, DV, 9 LEADS

CD0005