

# **BALDOR**® • **RELIANCE**

## **Product Information Packet**

# **ERL1319A277**

**1.5HP,1760RPM,1PH,60HZ,56H,3540LC,OPEN,F**

Part Detail							
Revision:	K	Status:	PRD/A	Change #:		Proprietary:	No
Type:	AC	Prod. Type:	3540LC	Elec. Spec:	35WGL161	CD Diagram:	CD0002A02
Enclosure:	OPEN	Mfg Plant:		Mech. Spec:	35F554	Layout:	35LYF554
Frame:	56H	Mounting:	F1	Poles:	04	Created Date:	09-29-2014
Base:	RS	Rotation:	R	Insulation:	F	Eff. Date:	01-24-2017
Leads:	2#16 A PH,3#18 B&J					Replaced By:	
Literature:		Elec. Diagram:					

Nameplate NP3273L													
CAT.NO.	ERL1319A277												
SPEC.	35F554L161G1												
HP	1.5												
VOLTS	277												
AMP	5.2												
RPM	1760												
FRAME	56H					HZ	60			PH	1		
SER.F.	1.15					CODE	K		DES	L		CL	F
F.L. AVG. EFF.	84					PF	93						
RATING	40C AMB-CONT												
CC												USABLE AT 208V	
DE	6203					ODE	6203						
ENCL	OPEN					SN							

Parts List		
Part Number	Description	Quantity
SA288442	SA 35F554L161G1	1.000 EA
RA274633	RA 35F554L161G1	1.000 EA
OC3016F12SP	CYL OIL CAP 16MFD/370V	1.000 EA
EC1216C06SP	ELEC CAP, 216-259 MFD, 250V, 2.06D X 4.	1.000 EA
35CB4500SP	TERMINAL BOX LID STAMPED	1.000 EA
51XW0832A07	8-32 X .44, TAPTITE II, HEX WSHR SLTD SE	2.000 EA
53XT0832G07	8-32X7/16 PN STD SR TY23G X	1.000 EA
LD5000A01	LEAD ASSY, ML1400DF14 7" RING TRM EA END	1.000 EA
51XW1032A06	10-32 X .38, TAPTITE II, HEX WSHR SLTD S	2.000 EA
HW1003A10	WASHER, #10 EX TH LK, ZN X	2.000 EA
35EP3202A01	STD OPEN FR EP - RESILIENT MTD	1.000 EA
51XW0832A07	8-32 X .44, TAPTITE II, HEX WSHR SLTD SE	3.000 EA
RM1000A02	CUSHION RING, MODEL 35 SAME AS A07	1.000 EA
HA6005A01	CLAMP, BASE	2.000 EA
12XN1032A18	10-32 X 1 1/4 HEX HD SLTD	1.000 EA
XY1032A02	10-32 HEX NUT DIRECTIONAL SERRATION	1.000 EA
35CB3801	CAPACITOR COVER, CAST	1.000 EA
HA7010	CAPACITOR RETENTION CLAMP	1.000 EA
NS2501A02	INSULATOR, CAPACITOR BOX	1.000 EA
51XB1016A08	10-16X 1/2HXWSSLD SERTYB	2.000 EA
HW5100A03	WAVY WASHER (W1543-017)	1.000 EA
35EP3203A01	STD PU EP, OPEN RESIL MTG	1.000 EA
RM1000A02	CUSHION RING, MODEL 35 SAME AS A07	1.000 EA
HA6005A01	CLAMP, BASE	2.000 EA

<b>Parts List (continued)</b>		
<b>Part Number</b>	<b>Description</b>	<b>Quantity</b>
12XN1032A18	10-32 X 1 1/4 HEX HD SLTD	1.000 EA
XY1032A02	10-32 HEX NUT DIRECTIONAL SERRATION	1.000 EA
XY1032A02	10-32 HEX NUT DIRECTIONAL SERRATION	4.000 EA
HW2501D13	KEY, 3/16 SQ X 1.375	1.000 EA
HA7000A04	KEY RETAINER 0.625 DIA SHAFTS	1.000 EA
85XU0407S04	4X1/4 U DRIVE PIN STAINLESS	2.000 EA
WD4100A01	DP-875 HEYCO PLUG OR 62MP0875 MICRO PLAS	1.000 EA
WD1000A15	3-520132-2 AMP FLAG (4M/RL NON-CANC/NON-	4.000 EA
MJ1000A02	GREASE, POLYREX EM EXXON (USe 4824-15A)	0.050 LB
MG1000G27	MED CHARCOAL METALLIC GREY 400-0096	0.017 GA
SP5077A15	MDL 35 TERM PANEL SWITCH, NO HARDWARE, W	1.000 EA
35BA4002J01	RESILIENT BASE, STAMPED	1.000 EA
HA3100A26	THRUBOLT 10-32 X 11.500	4.000 EA
LB1118	LABEL,WARNING (ROLL LABEL)	1.000 EA
LC0002	CONNECTION LABEL	1.000 EA
NP3273L	ALUM SUPER-E THERMALLY PROTECTED	1.000 EA
36PA1000	PKG GRP, PRINT PK1016A06	1.000 EA
MN416A01	TAG-INSTAL-MAINT no wire (1000/bx) 11/14	1.000 EA

**AC Induction Motor Performance Data**

Record # 61966 - Typical performance - not guaranteed values

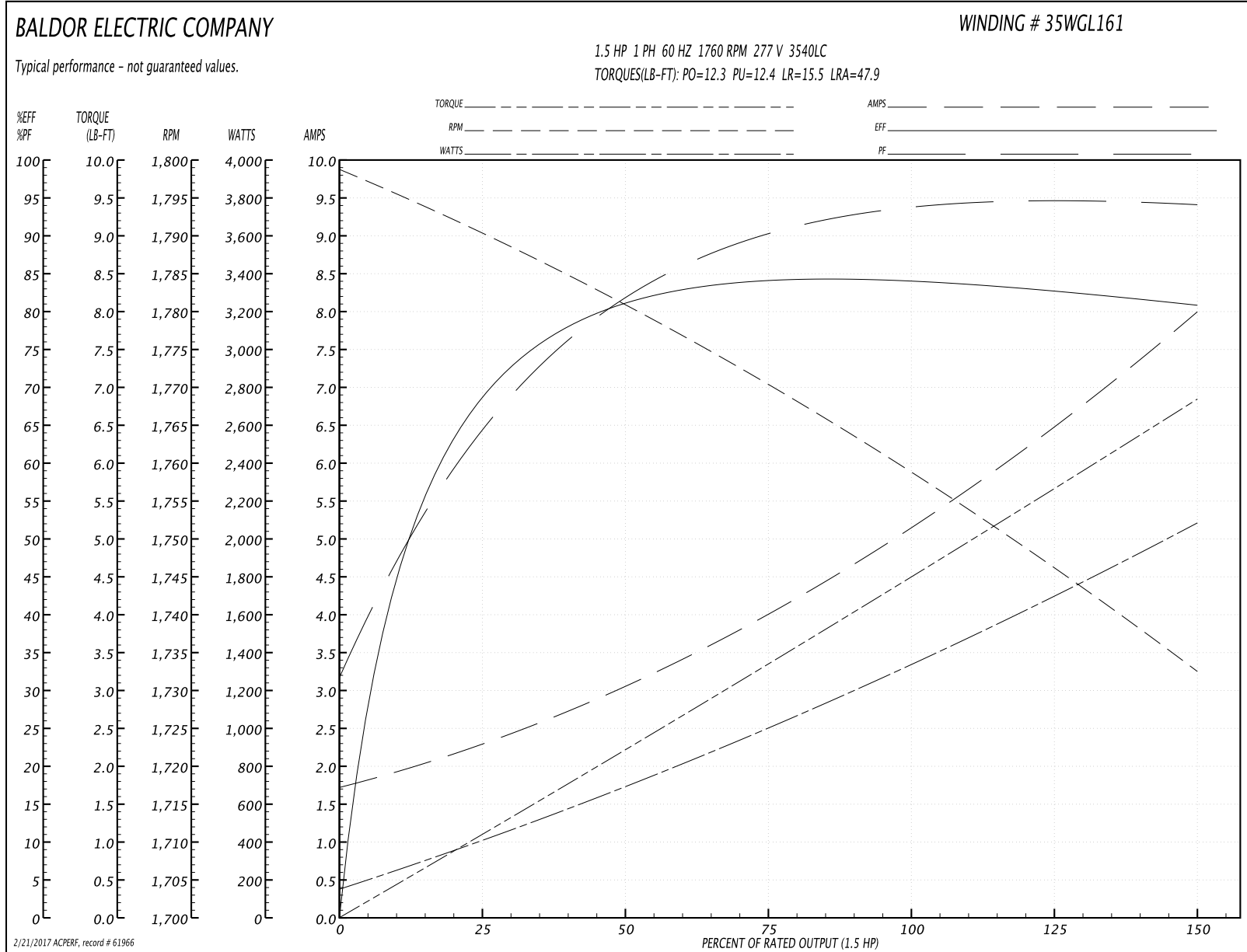
<b>Winding:</b> 35WGL161-R002	<b>Type:</b> 3540LC	<b>Enclosure:</b> OPEN
-------------------------------	---------------------	------------------------

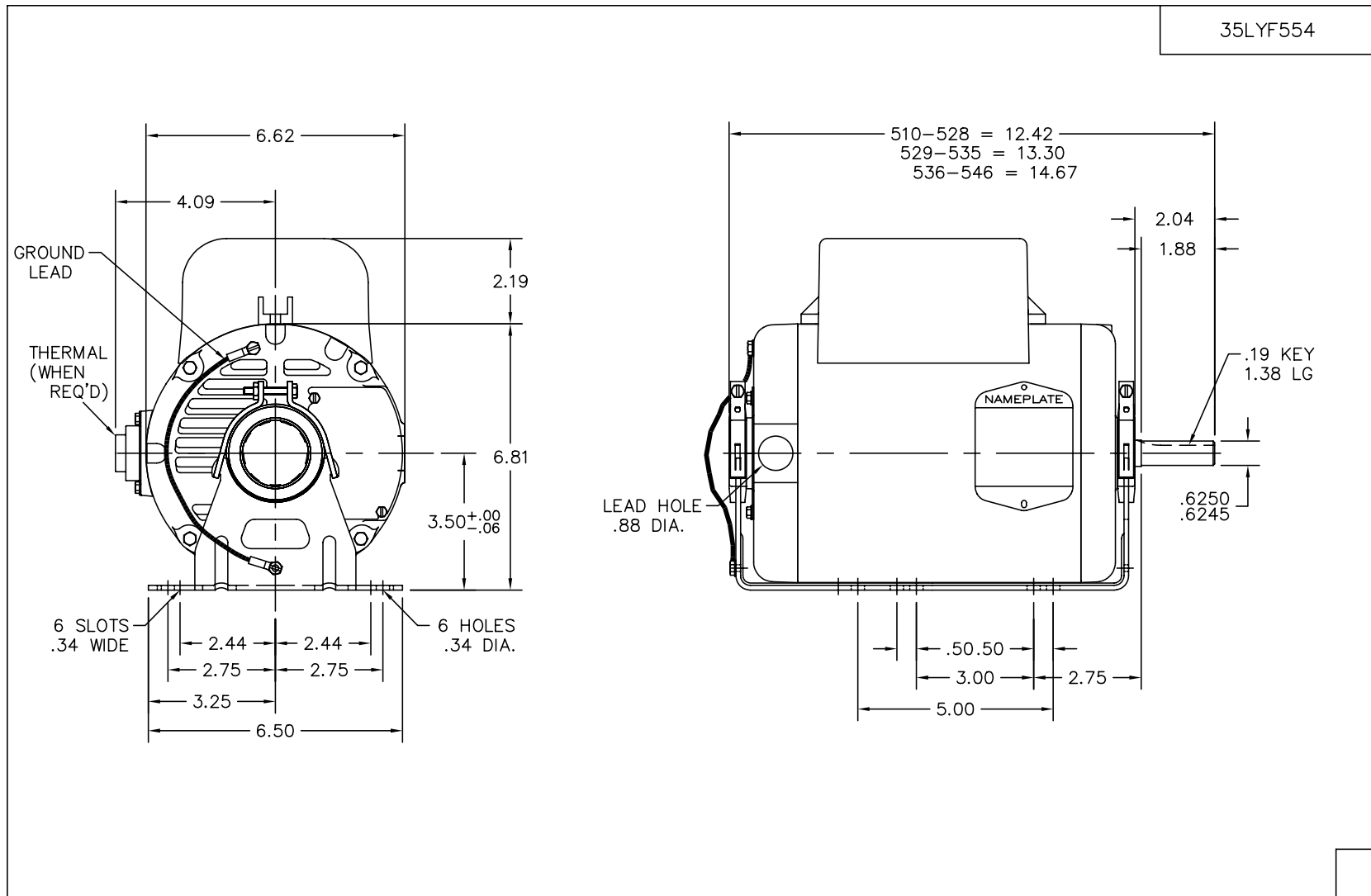
Nameplate Data				277 V, 60 Hz: Single Voltage Motor	
Rated Output (HP)	1.5			Full Load Torque	4.5 LB-FT
Volts	277			Start Configuration	direct on line
Full Load Amps	5.2			Breakdown Torque	12.3 LB-FT
R.P.M.	1760			Pull-up Torque	12.4 LB-FT
Hz	60	Phase	1	Locked-rotor Torque	15.5 LB-FT
NEMA Design Code	L	KVA Code	K	Starting Current	47.9 A
Service Factor (S.F.)	1.15			No-load Current	1.79 A
NEMA Nom. Eff.	84	Power Factor	93	Line-line Res. @ 25°C	2.36 Ω A Ph 2.9 Ω B Ph
Rating - Duty	40C AMB-CONT			Temp. Rise @ Rated Load	37°C
S.F. Amps				Temp. Rise @ S.F. Load	44°C
				Locked-rotor Power Factor	100
				Rotor inertia	0.237 LB-FT <sup>2</sup>

Load Characteristics 277 V, 60 Hz, 1.5 HP

% of Rated Load	25	50	75	100	125	150	S.F.
Power Factor	67	84	90	93	94	95	94
Efficiency	68.7	80.5	83.9	84.3	83.1	80.6	83.6
Speed	1790	1781	1770	1759	1747	1732	1752
Line amperes	2.2	3.03	4.01	5.2	6.5	7.96	5.98

Performance Graph at 277V, 60Hz, 1.5HP Typical performance - Not guaranteed values





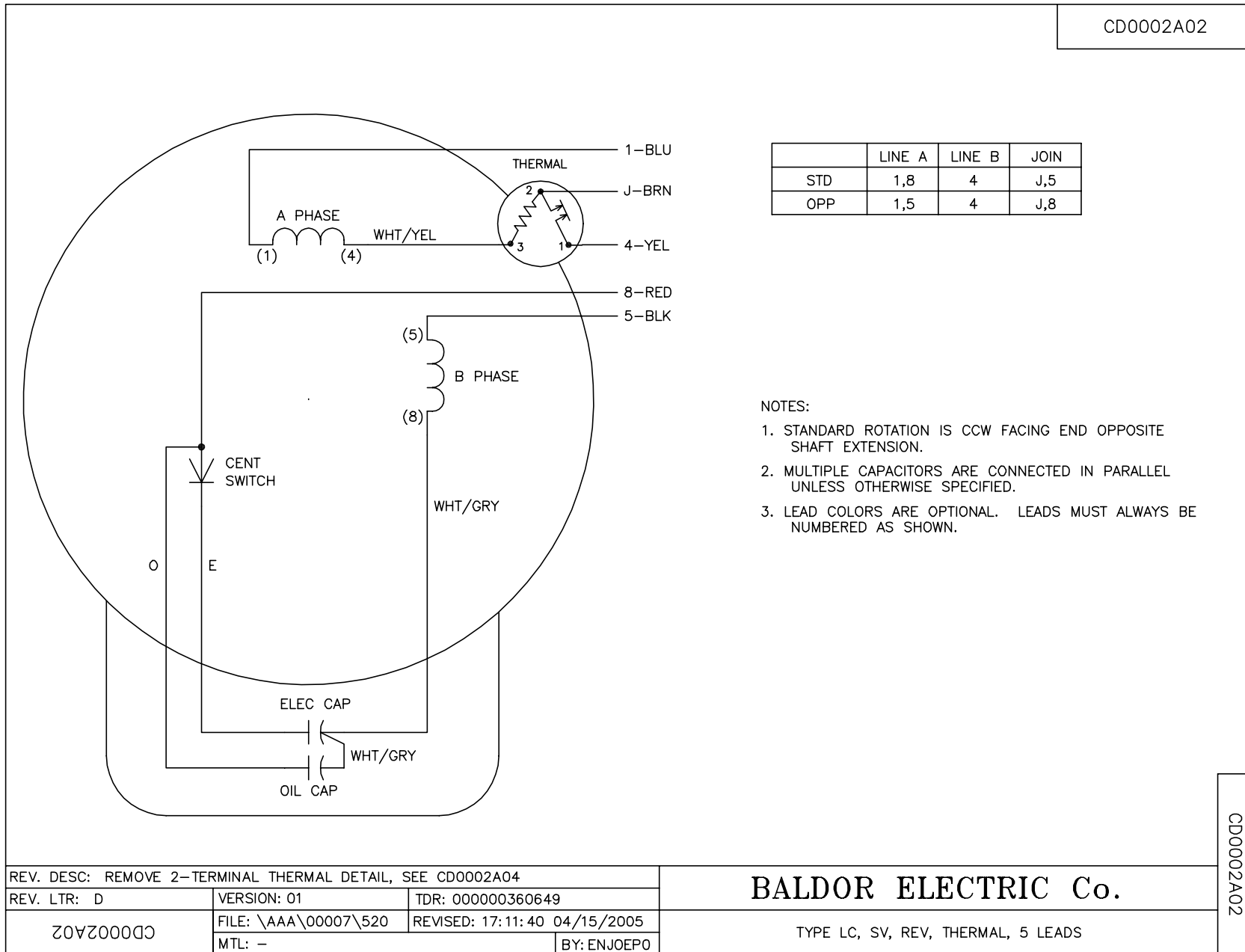
35LYF554

CUST. NAME		CUST. P.O.		CERTIFIED BY		MODEL		INSUL		AMB	
H.P.		MTG		TYPE		R.P.M.		VOLTS		ENCL	
PHASE		FREQ		FRAME							
REV. DESC: CHANGED FRAME DESCRIPTION FROM 35LC TO 35L-LC											
REV. LTR: F		BY: MW		REVISED: 08/18/99 4:12				TDR: 0187077			
35LYF554				FILE: AAA00040258				MDL: -			
MTL: -				<p style="text-align: center;"><b>BALDOR ELECTRIC Co.</b></p> <p style="text-align: center;">STD 56/56H RESIL MTD OPEN 35L-LC W/TERM PLATE</p>							

35LYF554



CD0002A02



	LINE A	LINE B	JOIN
STD	1,8	4	J,5
OPP	1,5	4	J,8

NOTES:

1. STANDARD ROTATION IS CCW FACING END OPPOSITE SHAFT EXTENSION.
2. MULTIPLE CAPACITORS ARE CONNECTED IN PARALLEL UNLESS OTHERWISE SPECIFIED.
3. LEAD COLORS ARE OPTIONAL. LEADS MUST ALWAYS BE NUMBERED AS SHOWN.

REV. DESC: REMOVE 2-TERMINAL THERMAL DETAIL, SEE CD0002A04			
REV. LTR: D	VERSION: 01	TDR: 000000360649	
Z0VZ000003 CD0002A02	FILE: \AAA\00007\520	REVISED: 17:11:40 04/15/2005	
	MTL: -	BY: ENJOEPO	

**BALDOR ELECTRIC Co.**

TYPE LC, SV, REV, THERMAL, 5 LEADS

CD0002A02