

**For Residential and Point of Use Applications**

Job Name \_\_\_\_\_  
 Job Location \_\_\_\_\_  
 Engineer \_\_\_\_\_  
 Approval \_\_\_\_\_

Contractor \_\_\_\_\_  
 Approval \_\_\_\_\_  
 Contractor's P.O. No. \_\_\_\_\_  
 Representative \_\_\_\_\_

**LEAD FREE\***

**Series LF123LP**  
**Water Pressure Reducing Valves**

**Size: 1/2" – 3/4" (15 – 20mm)**

Series LF123LP Water Pressure Reducing Valves are designed to reduce incoming water pressure to a sensible level to protect plumbing system components and reduce water consumption. This series is suitable for water supply pressures up to 200psi (13.8 bar) and may be adjusted from 10 – 30psi (69 – 207 kPa). The standard setting is 30psi (207 kPa). All parts are quickly and easily serviceable without removing the valve from the line. The LF123LP features Lead Free\* construction to comply with Lead Free\* installation requirements.

**Features**

- High performance
- High flow capacity
- Integral stainless steel valve seat
- Integral stainless steel strainer
- Lead Free\* cast copper silicon alloy body construction
- Serviceable in-line

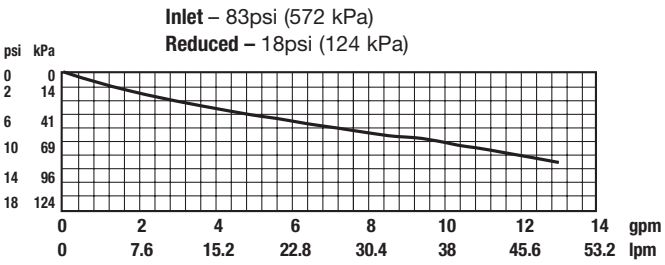
**Specifications**

A Water Pressure Reducing Valve and strainer shall be installed to reduce pressures to 35psi (241 kPa) or less. The valve shall have a stainless steel seat with EPDM seat disc and diaphragm. Valve shall be a Watts Series LF123LP.

**Materials**

Body: Lead Free\* cast copper silicon alloy  
 Seat: Stainless steel  
 Integral Strainer: Stainless steel  
 Diaphragm: Reinforced EPDM  
 Valve Disc: EPDM

**Capacity**

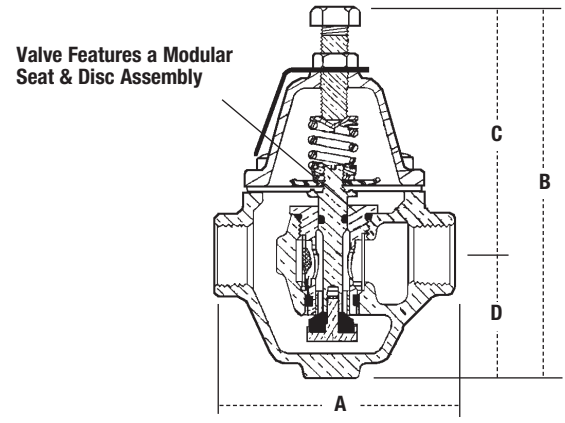


LF123LP

**Pressure – Temperature**

Temperature Range: 33°F – 180°F (0.5°C – 82°C)  
 Maximum Working Pressure: 200psi (13.8 bar)  
 Adjustable Reduced Pressure Range: 10 – 30psi (69 – 207 kPa)  
 Standard Reduced Pressure Setting: 30psi (207 kPa)

**Dimensions – Weights**



SIZE (DN)	DIMENSIONS				WEIGHT						
	A		B		C		D		lbs.	kg.	
1/2	15	3 1/16	78	5	127	3 3/8	86	1 5/8	41	1.6	.73
3/4	20	3 1/16	78	5	127	3 3/8	86	1 5/8	41	1.6	.73

\*The wetted surface of this product contacted by consumable water contains less than 0.25% of lead by weight.

Watts product specifications in U.S. customary units and metric are approximate and are provided for reference only. For precise measurements, please contact Watts Technical Service. Watts reserves the right to change or modify product design, construction, specifications, or materials without prior notice and without incurring any obligation to make such changes and modifications on Watts products previously or subsequently sold.



USA: Tel. (978) 688-1811 • Fax: (978) 794-1848 • www.watts.com  
 Canada: Tel. (905) 332-4090 • Fax: (905) 332-7068 • www.watts.ca

