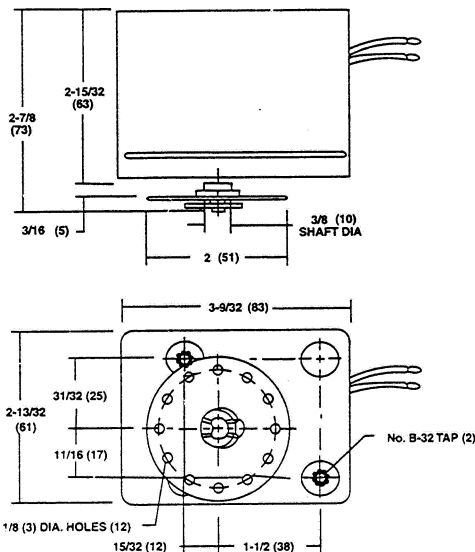


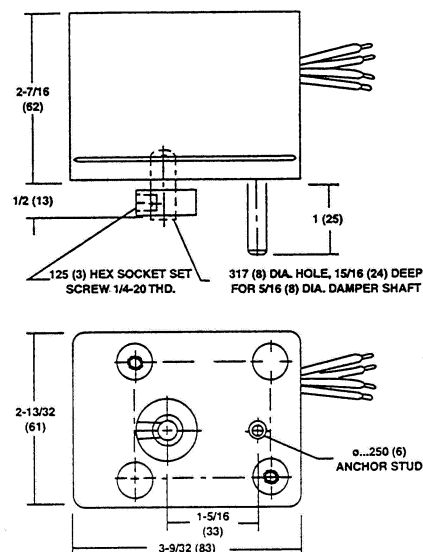
Schneider Electric Erie™ Damper Operators Installation Instructions

453L & 453H Two Position, Motor Open, Schneider Electric Erie Spring Return Damper Actuators

Dimensions



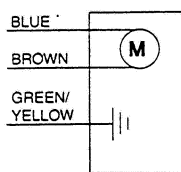
Linkage Drive



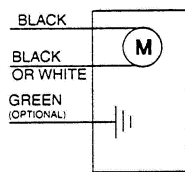
Direct Drive
Specifications

Wiring

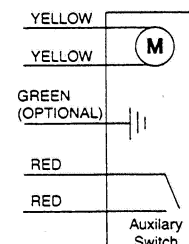
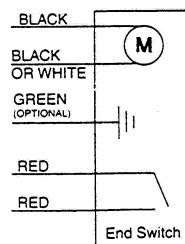
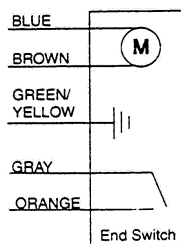
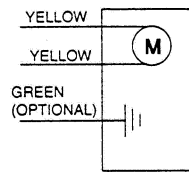
“L & H” Cordset Round



“L” Wire Leads



“H” Wire Leads



Motor: 24V, 120V, 230V, 277V.

Rating:

453L, 7VA.

453H, 9VA.

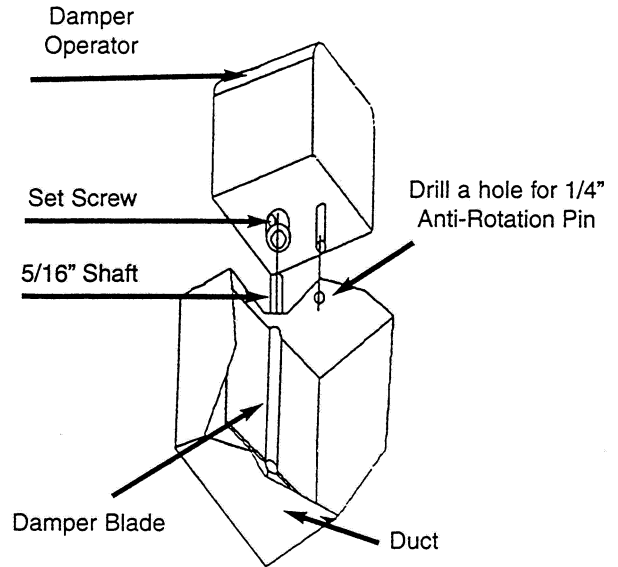
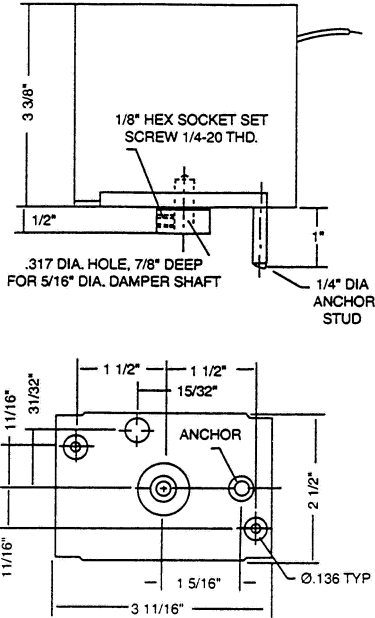
Auxiliary Switch: SPDT Normally open or normally closed.

Rating: 10 Amp @ 277 Vac, 1/2 HP @ 250Vac.

Be sure to connect provided ground screw or wire. The product must be installed to an approved termination such as a junction box.

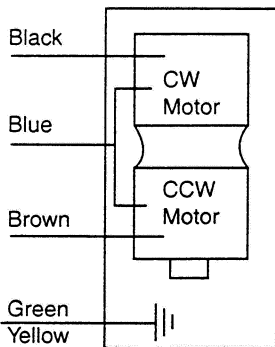
453R Two Position, Motor Open, Motor Closed Schneider Electric Erie Damper Actuators

Dimensions

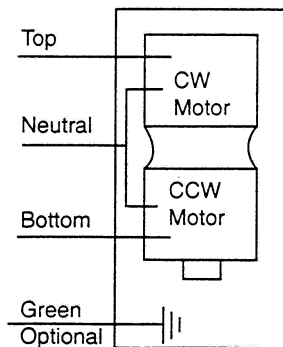


Wiring

"R" with Cordset Round



"R" Wire Leads



All specifications are nominal and conform to generally acceptable industry standards. Schneider Electric is not responsible for damages resulting from mis-application or mis-use of its products. When installing product, follow local electrical codes.

Specifications

Motor: 24V, 120V, 230V, 277V.

Rating:
453R, 7VA.

Wire Leads:

Clockwise rotation, Two leads from top motor.

Counterclockwise rotation, Two leads from bottom motor.

With Cordset:

Black and blue leads, Clockwise rotation.

Brown and blue leads, Counterclockwise rotation.

On October 1st, 2009, TAC became the Buildings business of its parent company Schneider Electric. This document reflects the visual identity of Schneider Electric, however there remains references to TAC as a corporate brand in the body copy. As each document is updated, the body copy will be changed to reflect appropriate corporate brand changes.

Copyright 2010, Schneider Electric
All brand names, trademarks and registered trademarks are the property of their respective owners. Information contained within this document is subject to change without notice.

Schneider Electric
1354 Clifford Avenue
P.O. Box 2940
Loves Park, IL 61132-2940

www.schneider-electric.com/buildings

Schneider
Electric