

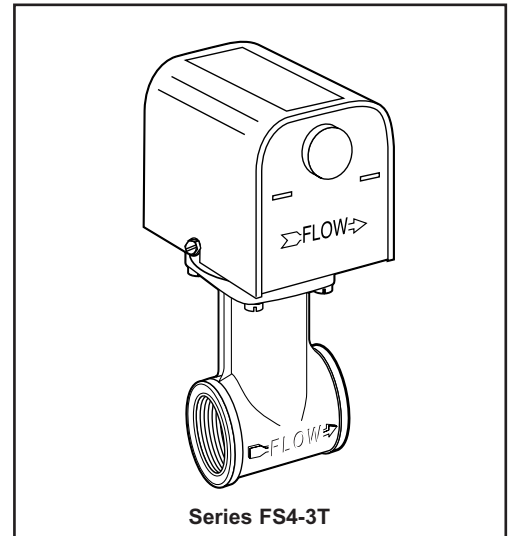


**McDonnell & Miller**  
Installation & Maintenance  
Instructions  
MM-613(B)

**Series FS4-3T**  
**General Purpose**  
**Liquid Flow Switch**


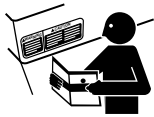




**CE** (specified models only)



**OPERATION**

This control is an independently mounted water flow sensing device that makes or breaks an electrical circuit when flow stops or starts.

 <b>WARNING</b>	
	<ul style="list-style-type: none"><li>• Before using product, read and understand instructions.</li><li>• Save these instructions for future reference.</li></ul>
	<ul style="list-style-type: none"><li>• All work must be performed by qualified personnel trained in the proper application, installation, and maintenance of plumbing, steam and electrical equipment and/or systems in accordance with all applicable codes and ordinances.</li><li>• To prevent electrical shock, turn off the electrical power before making electrical connections.</li><li>• To prevent an electrical fire or equipment damage, electrical wiring insulation must have a rating of 167°F (75°C) if the liquid's temperature exceeds 180°F (82°C).</li></ul>
	<ul style="list-style-type: none"><li>• To prevent electrocution, when the electrical power is connected to the flow switch, do not touch the terminals.</li><li>• Make sure flow switch electrical cover is secured before turning on electric power.</li></ul>
<p>Failure to follow this warning could cause property damage, personal injury or death.</p>	

*Engineered for life*

---

## SPECIFICATIONS

**Maximum Liquid Pressure:** 160 psi (11.3 kg/cm<sup>2</sup>)

**Liquid Temperature Range (T<sub>L</sub>):** 32 - 300°F (0 - 149°C)

**Ambient Temperature Range (T<sub>s</sub>):** 32 - 120°F (0 - 49°C)

**Electrical Enclosure Rating:** Nema Type 1 (IP 21)

**Maximum Velocity:** 10ft/sec (3M/sec)

**Pipe Connection Thread Size:** 3/4" or 1" NPT

## ELECTRICAL RATINGS

Voltage	Motor Switch Rating (Amperes)		Pilot Duty
	Full Load	Locked Rotor	
120 VAC	7.4	44.4	125 VA at 120 or 240 VAC 50 or 60 cycles
240 VAC	3.7	22.2	

CE Circuit Rating	
7.4 (7.4)/120~	0.3/120=
3.7 (3.7)/240~	0.15/240=

### Models that meet CE Conformance:

**FS4-3T3-3/4-E**

**FS4-3T3-1-E**

- **This Control:** is for continuous operations  
is not electronic  
has Type 1C action (micro interruption  
on operation)

- **LVD 73/23/EEC**

- **EMC 89/33/EEC**

For applications with loads between 14mA and 3.7  
Amps, power factors exceeding 0.65, an anticipated

system switch operation rate of less than 5 times  
per minute, and any one cycle greater than 3 sec-  
onds on and 3 seconds off.

Additional suppression may be required for applica-  
tions outside these ranges.

- **Declaration of Conformity**

Available on request.

# FLOW RATES

Flow rates required to activate flow switch are shown in chart below. The values are calculated for sensing water (potable, non-polluted) in a horizontal pipe.

Settings will vary when used to sense flow of other fluids.

## Flow Rates

Pipe Model Number	Size NPT in. (mm)	Settings	Mode of Operation		Max. Flow Rate gpm (lpm) w/o Paddle Damage
			Flow gpm (lpm)	No Flow gpm (lpm)	
FS4-3T1-3/4	3/4 (20)	Factory or Minimum	4.4 (16.7)	2.6 (9.8)	16.62 (63)
		Maximum	10.5 (39.7)	9.8 (37.1)	
FS4-3T2-3/4	3/4 (20)	Factory or Minimum	3.7 (14)	2.2 (8.3)	
		Maximum	8.9 (33.7)	8.3 (31.4)	
FS4-3T3-3/4	3/4 (20)	Factory or Minimum	2 (7.6)	1.2 (4.5)	
		Maximum	4.5 (17)	4.1 (15.5)	
FS4-3T1-1	1 (25)	Factory or Minimum	5 (18.9)	3.2 (12.1)	27 (102)
		Maximum	11.5 (43.5)	11 (41.6)	
FS4-3T2-1	1 (25)	Factory or Minimum	4.8 (18.1)	2.9 (11)	
		Maximum	10.1 (38.2)	9.4 (35.6)	
FS4-3T3-1	1 (25)	Factory or Minimum	2 (7.6)	1.2 (4.5)	
		Maximum	4.5 (17)	4.1 (15.5)	

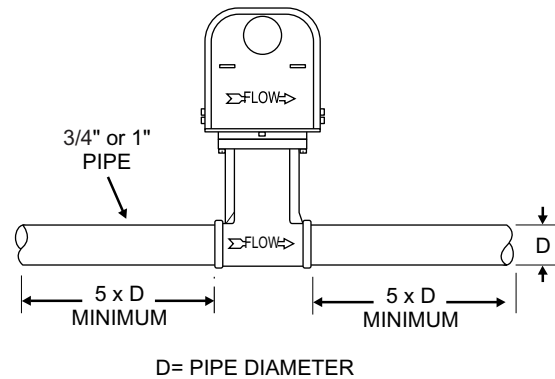
Values are ± 10%

**NOTE: DO NOT USE LIQUID FLOW SWITCHES ON SYSTEMS WITH FLOW VELOCITY GREATER THAN 10 FEET (3M) PER SECOND.**

## INSTALLATION –

### STEP 1 - Determine the Location of the Flow Switch

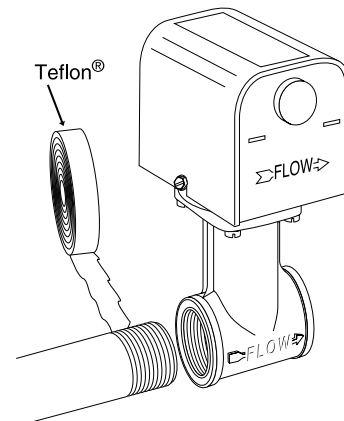
- The flow switch **should be located in a horizontal section of pipe** where there is a straight horizontal run of at least 5 pipe diameters on each side of the flow switch. The flow switch may be installed in a vertical pipe if the flow is in the upward direction.
- The flow switch **must be installed in the upright position** as shown with arrow mark on side of casting in the same direction as fluid will flow.
- Some system conditions that require more than 5 pipe diameters are high viscosity fluid and high fluid velocity.
- The flow switch should be installed in the pump suction piping when spring-loaded check valves and/or other closed coupled accessories are installed in the pump discharge piping.



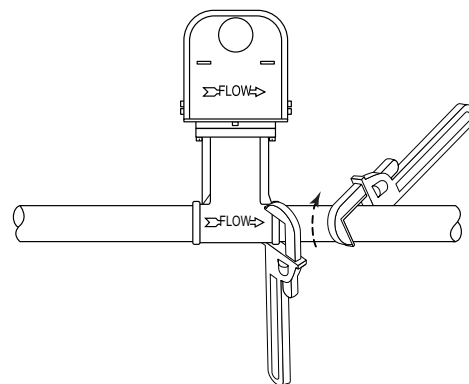
### STEP 2 - Connecting the Flow Switch to Pipe

- a. Apply pipe sealing compound or Teflon<sup>®</sup> tape to the pipe threads.

**NOTE:** Do not apply sealant to first threads as this switch is grounded (earthed) via the pipe mounting.



- b. Insert pipe threads into flow switch and turn 2 or 3 times until tight.
- Place one pipe wrench on base of flow switch and one wrench on connecting piping. Tighten to following torque values.
    - 47 ft•lb (64 N•m) for 3/4" pipe
    - 63 ft•lb (85 N•m) for 1" pipe
  - Repeat to connect pipe to opposite side of flow switch.



## STEP 3 - Electrical Installation

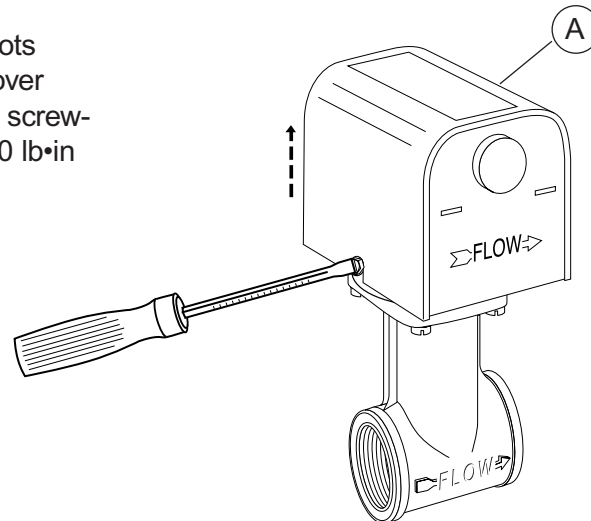
### WARNING



- To prevent electrical shock, turn off the electrical power before making electrical connections.
  - To prevent an electrical fire or equipment damage, electrical wiring insulation must have a rating of 167°F (75°C) if the liquid's temperature exceeds 180°F (82°C).
  - To prevent electrocution, when the electrical power is connected to the flow switch, do not touch the terminals.
  - Make sure flow switch electrical cover is secured before turning on electric power.
- Failure to follow this warning could cause property damage, personal injury or death.

#### a. Cover Removal and Installation Procedure

- Using a flathead screwdriver, loosen but do not remove the two cover screws and remove the cover (A).
- Place the cover on the flow switch sliding the slots behind the two loose cover screws. Push the cover down into the flow switch and using a flat blade screwdriver, tighten the cover screws to a torque of 10 lb•in (1.13 N•m).

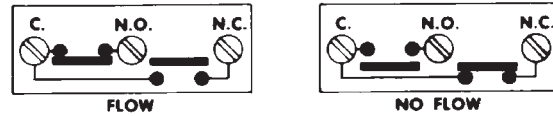


#### b. Electrical Conduit Connection

- Connect electric conduit to flow switch electrical enclosure.
- Follow accepted electrical practices when installing fittings and making connections.
- Refer to and follow local codes and standards when selecting the types of electrical fittings and conduit to connect to flow switch.

c. Determine which switch action is required for the flow switch.

- “Flow” means that the switch will close circuit C.-N.O. and open circuit C.-N.C. when flow rate is increased above setpoint of flow switch.
- “No Flow” means that the switch will open circuit C.-N.O. and close circuit C.-N.C. when flow rate is decreased below setpoint of flow switch.



d. Based upon the mode of operation (“Flow” or “No-Flow”) required, complete the appropriate steps to connect wires to flow switch. Use a phillip’s head screwdriver to loosen and tighten switch terminal screws when attaching wires.

**For “Flow” Mode of Operation (Fig. 1)**

If the flow switch will be used to actuate a signal, alarm or other device when **flow** occurs, connect the wire from that device to the “N.O.” contact. Connect the “Hot” power supply wire to “C” terminal.

**For “No Flow” Mode of Operation (Fig. 2)**

If the flow switch will be used to actuate a signal, alarm or other device when **no flow** occurs, connect the wire from that device to the “N.C.” contact. Connect the “Hot” power supply wire to “C” terminal.

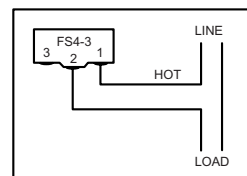
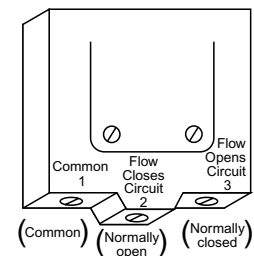
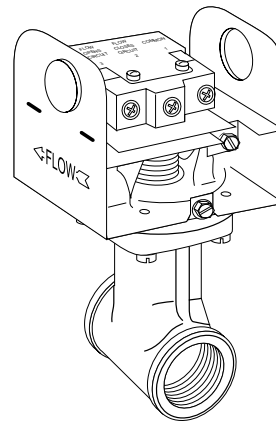


Fig. 1

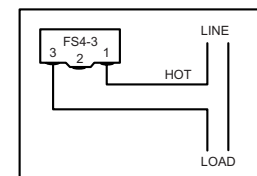
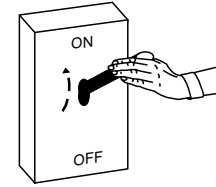


Fig. 2

## STEP 4 - Testing

- a. Place cover on flow switch and turn on power. Initiate fluid flow through the system. Observe the device being activated by the flow switch to determine if device is operating as required.
- b. Turn off fluid flow to determine if device is operating as required.
- c. Repeat initiating and turning off fluid flow several times to test flow switch and device for proper operation.
  - If operating as required, put system into service.
  - If not operating as required, flow switch may need to be adjusted.



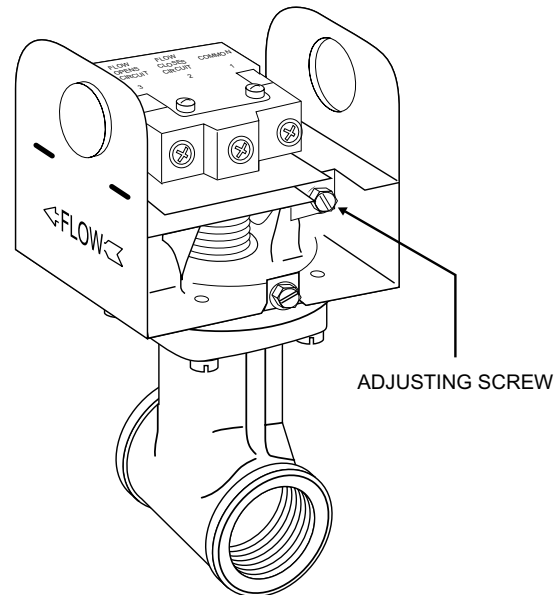
## SECTION 5 - Adjustment

Adjustment is necessary only if required flow/no flow setpoints are **above** factory set minimum.

- a. Turn off power. Remove electric enclosure cover.
- b. Turn adjusting screw clockwise (1/8 turn) to increase setpoint.

**IMPORTANT: Do not attempt to lower flow switch setpoint from original factory minimum setting. Lowering (turning adjusting screw counterclockwise) the setpoint from original factory setting may cause erratic flow switch operation.**

- c. Place the cover on the flow switch and turn on power.
- d. Test the operation of the flow switch after each adjustment.





## MAINTENANCE

### SCHEDULE:

- **Inspect paddles annually. Turbulent or high flow velocity conditions may require more frequent inspection and/or replacement.**
- **Replace paddles if damaged or showing signs of wear.**
- **Replace flow switch every 5 years or 100,000 cycles, whichever occurs first.**

## TROUBLESHOOTING

Problem:

### 1. Flow Switch Does Not Operate

**Solution:**

- a. Make sure power has been turned on to device and flow switch.
- b. Verify that flow rate is high enough for flow switch to activate. Measure flow rate and match with velocities shown in flow rate chart.
- c. Check to see if paddle moves freely. Some system piping disassembly may be required.

### 2. Flow Switch Operates Erratically

**Solution:**

- a. Flow switch may be located in an area of high turbulence causing paddles to flutter.
- b. Adjustment screw may have been turned below original factory setpoint. Verify that flow rate is high enough for flow switch to activate. Measure flow rate and match with velocities shown in flow rate chart.
- c. Check to see if paddle moves freely. Some system piping disassembly may be required.

### 3. Flow Switch Does Not Deactivate

**Solution:**

- a. Check to see if paddle moves freely. Some system piping disassembly may be required.
- b. Measure flow rate and match with velocities shown in flow rate chart. Flow switch must prove flow before it can indicate no flow.