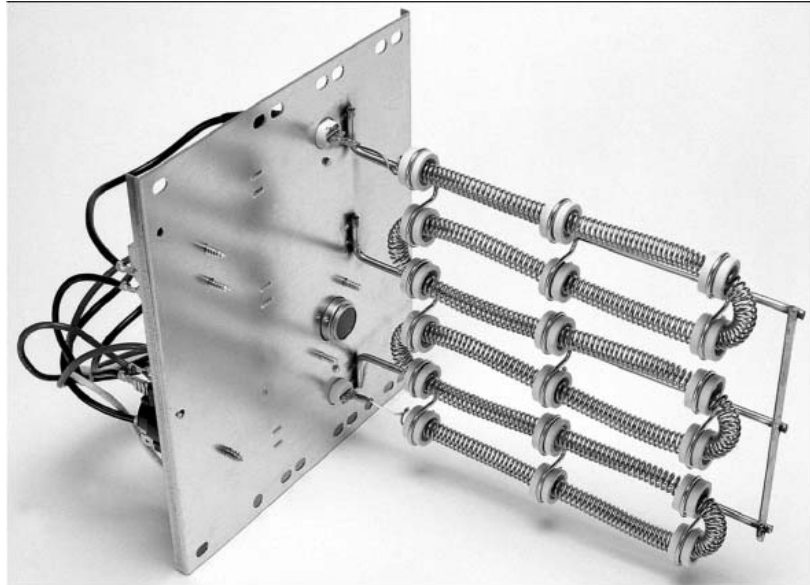


REPAIR PARTS

HKP Heater Kits

HKP-05CA
HKP-10CA



This manual is to be used by qualified technicians only.

© 2014 Goodman Manufacturing Company, L.P. ♦ 5151 San Felipe St., Suite 500 ♦ Houston, TX 77056

Important Information

Index

Functional Parts List	3
Illustration and Parts	4 - 5

Views shown are for parts illustrations only, not servicing procedures

HKR Heater Kits with the UL1995 4th Edition updates.

Text Codes:

AR - As Required

NA - Not Available

NS - Not Shown

00000000 - See Note

QTY - Quantity Example (QTY 3) (If Quantity not shown, Quantity = 1)

M - Model Example (M1) (If M Code not shown, then part is used on all Models)

Expanded Model Nomenclature:

Example M1 - Model#1 M2 - Model#2 M3 - Model#3

Goodman Manufacturing Company, L.P. is not responsible for personal injury or property damage resulting from improper service. Review all service information before beginning repairs.

Warranty service must be performed by an authorized technician, using authorized factory parts. If service is required after the warranty expires, Goodman Manufacturing Company, L.P. also recommends contacting an authorized technician and using authorized factory parts.

Goodman Manufacturing Company, L.P. reserves the right to discontinue, or change at any time, specifications or designs without notice or without incurring obligations.

For assistance within the U.S.A. contact:
Consumer Affairs Department
Goodman Manufacturing Company, L.P.
7401 Security Way
Houston, Texas 77040
877-254-4729-Telephone
713-863-2382-Facsimile

For assistance outside the U.S.A. contact:
International Division
Goodman Manufacturing Company, L.P.
7401 Security Way
Houston, Texas 77040
713-861-2500-Telephone
713-863-2382-Facsimile

Functional Parts

Part

No: **Description:**

CBK2PD240VA025 CBK, 2 POLE, DUAL, 120/240V, 25A (M1)
CBK2PD240VA050 CBK, 2 POLE, DUAL, 120/240V, 50A (M2)
B1037515 HEATER ELEMENT 4.75 KW (M1)
B1037518 HEATER ELEMENT 9.50 KW (M2)
B1256559 SEQUENCER (M2)
B1256558 SEQUENCER (M1)

Expanded Model Nomenclature

M1 - HKP-05CA
M2 - HKP-10CA

HKP Heater Kits with Sequencer

IMAGE 1

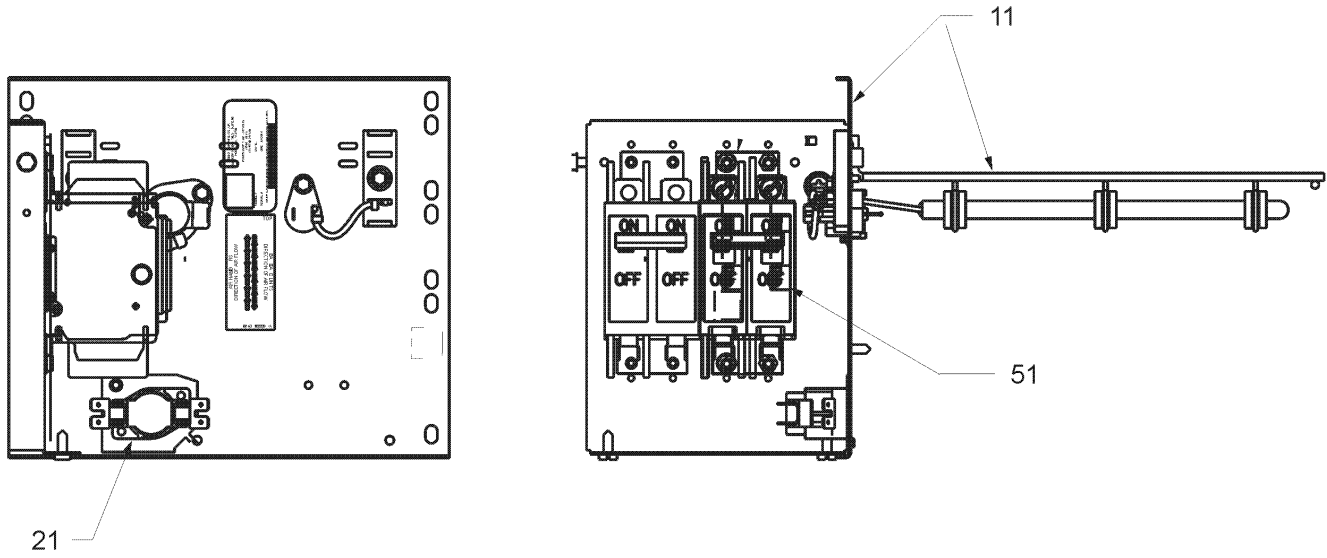
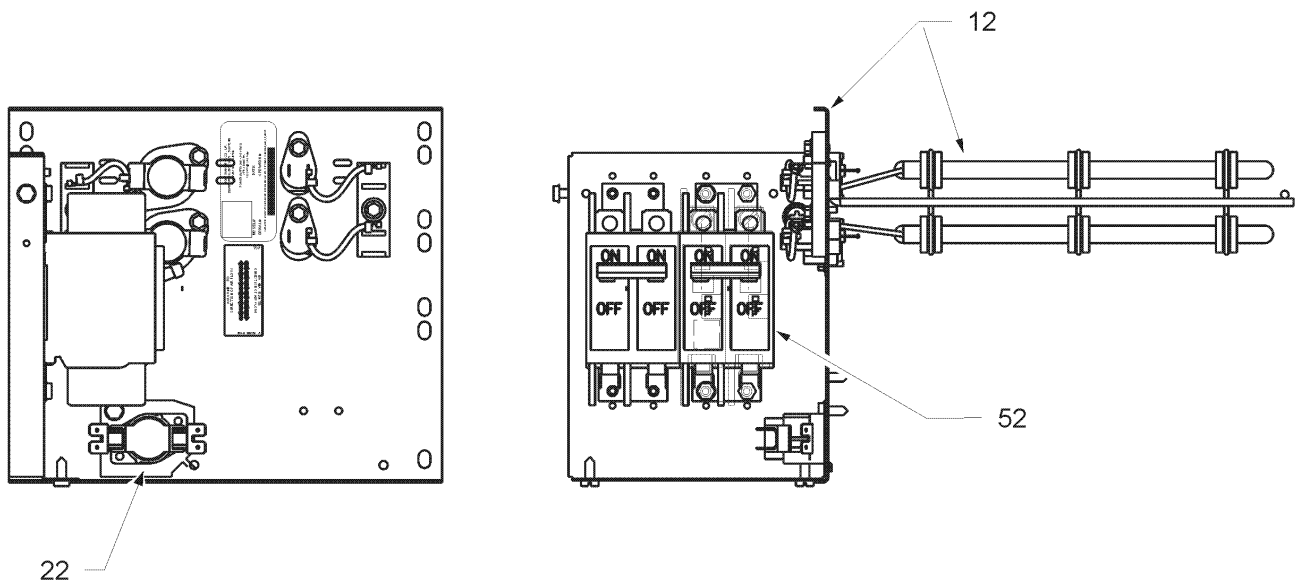


IMAGE 2



HKP Heater Kits with Sequencer

Ref. Part No:	No:	Description:	Ref. Part No:	No:	Description:
---------------	-----	--------------	---------------	-----	--------------

Image 1:

11	B1037515	HEATER ELEMENT 4.75 KW (M1)
21	B1256558	SEQUENCER (M1)
51	CBK2PD240VA025	CBK, 2 POLE, DUAL, 120/240V, 25A (M1)
NS	0259K00004S	WIRE HARNESS ASSY (M1)

Image 2:

12	B1037518	HEATER ELEMENT 9.50 KW (M2)
22	B1256559	SEQUENCER (M2)
52	CBK2PD240VA050	CBK, 2 POLE, DUAL, 120/240V, 50A (M2)
NS	0259K00004S	WIRE HARNESS ASSY (M2)

Expanded Model Nomenclature

M1 - HKP-05CA
M2 - HKP-10CA