

Models and manufacturing
numbers in this manual

Refer to Page 5 for list of models and manufacturing numbers.

Parts

Remote Air-Conditioning & Heat Pump Accessory Catalog

Parts Manual for
Amana®

This manual is to be used by qualified appliance technicians only. Amana Refrigeration Inc. does not assume any responsibility for property damage or personal injury for improper service procedures done by an unqualified person.

Amana
A **Raytheon** Company

RP6290002
Rev. 2
February 1996

Important Information

Pride and workmanship go into every product to provide our customers with quality products. It is possible, however, that during its lifetime a product may require service. Products should be serviced only by a qualified service technician who is familiar with the safety procedures required in the repair and who is equipped with the proper tools, parts, testing instruments and the appropriate service manual.
REVIEW ALL SERVICE INFORMATION IN THE APPROPRIATE SERVICE MANUAL BEFORE BEGINNING REPAIRS.

Important Notices



IF REPAIRS ARE ATTEMPTED BY UNQUALIFIED PERSONS, DANGEROUS CONDITIONS (SUCH AS EXPOSURE TO ELECTRICAL SHOCK) MAY RESULT. THIS MAY CAUSE SERIOUS INJURY OR DEATH.



AMANA WILL NOT BE RESPONSIBLE FOR ANY INJURY OR PROPERTY DAMAGE ARISING FROM IMPROPER SERVICE OR SERVICE PROCEDURES. IF YOU PERFORM SERVICE ON YOUR OWN PRODUCT, YOU ASSUME RESPONSIBILITY FOR ANY PERSONAL INJURY OR PROPERTY DAMAGE WHICH MAY RESULT.

To locate an authorized servicer, please consult your telephone book or the dealer from whom you purchased this product. For further assistance, please contact:

CONSUMER AFFAIRS DEPT.
AMANA REFRIGERATION, INC.
AMANA, IOWA 52204

OR
CALL

1-319-622-5511
and ask for
Consumer Affairs

If outside the United States contact:

AMANA REFRIGERATION, INC.
ATTN: INTERNATIONAL DIVISION
AMANA, IOWA 52204, USA
Telephone: (319) 622-5511
Facsimile: (319) 622-2180

RECOGNIZE SAFETY SYMBOLS, WORDS AND LABELS



DANGER - Immediate hazards which WILL result in severe personal injury or death.



WARNING - Hazards or unsafe practices which COULD result in severe personal injury or death.



CAUTION - Hazards or unsafe practices which COULD result in minor personal injury or product or property damage.

Index

MODEL AND MFG NUMBERS.....	5
ILLUSTRATION AND PARTS	6 - 29

Rev. 2 - Added new kits; added new model and manufacturing numbers; updated existing part numbers; catalog format was revised and catalog was re-written; catalog part number was RA629002A, Revision 1.

Text Codes:

98 - As Required

99 - Not Shown

QTY - Quantity Example (QTY 3) (If Quantity not shown, Quantity = 1)

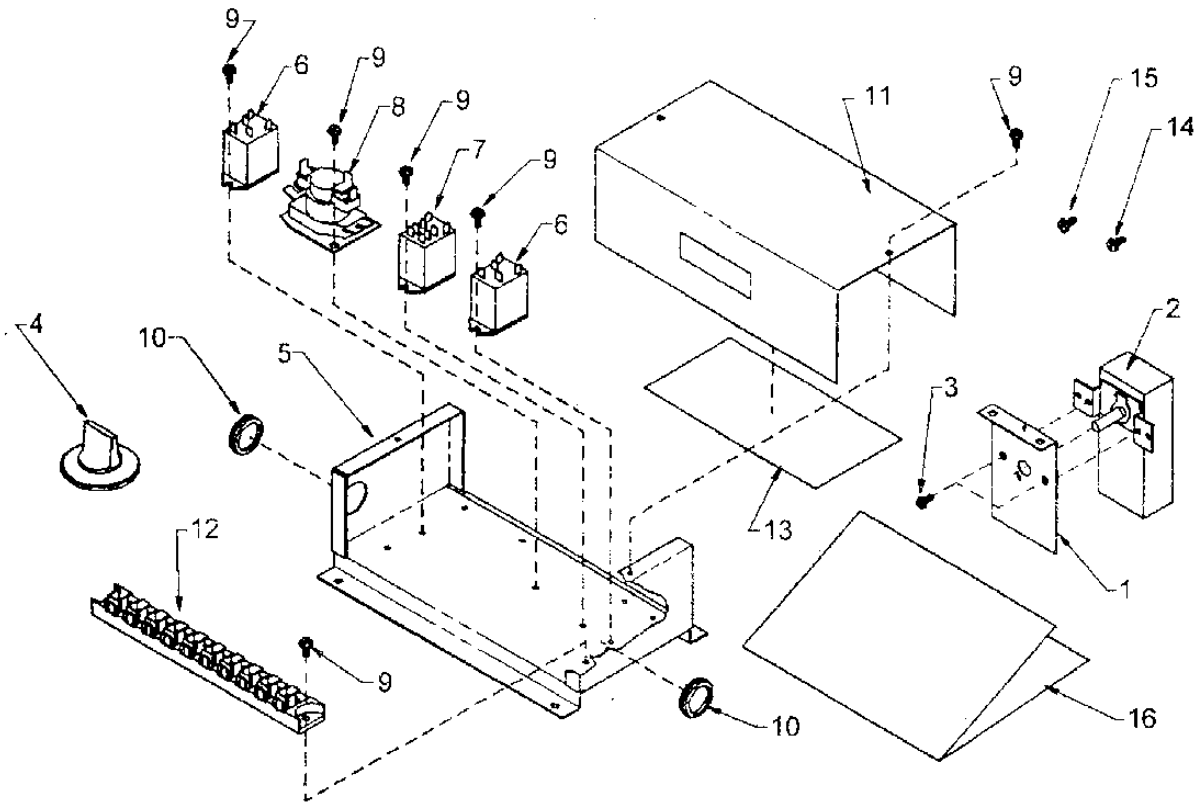
M - Model Example (M1) (If M Code not shown, then part is used on all Models)



Models and Manufacturing Numbers

M1 - FFK02A	P1122302C	M49 - TXV03A	P1206503C
M2 - CSB02A	P1176802C	M50 - LSK01A	P1206901C
M3 - CSB03A	P1176803C	M51 - BDK01A KIT	P1207001C
M4 - CSB04A	P1176804C	M52 - FSK01A KIT	P1207101C
M5 - CSB05A	P1176805C	M53 - ROK051A	P1208401C
M6 - CSB06A	P1176806C	M54 - ROK055A	P1208402C
M7 - CSB07A	P1176807C	M55 - ROK059A	P1208403C
M8 - CSB08A	P1176808C	M56 - ROK061A	P1208404C
M9 - CSB09A	P1176809C	M57 - ROK063A	P1208405C
M10 - HSK02A	P1180002C	M58 - ROK068A	P1208406C
M11 - HSK03A	P1180003C	M59 - ROK072A	P1208407C
M12 - HSK04A	P1180004C	M60 - ROK073A	P1208408C
M13 - HSK05A	P1180005C	M61 - ROK076A	P1208409C
M14 - HSK06A	P1180006C	M62 - ROK080A	P1208410C
M15 - HSK07A	P1180007C	M63 - ROK081A	P1208411C
M16 - HSK08A	P1180008C	M64 - ROK084A	P1208412C
M17 - HSK09A	P1180009C	M65 - ROK088A	P1208413C
M18 - PCK01A	P1180101C	M66 - ROK092A	P1208414C
M19 - LAC01A	P1180103C	M67 - ROK098A	P1208415C
M20 - PCK02A	P1180104C	M68 - SPK02A	P1208801C
M21 - LAC02A	P1180105C	M69 - SPK03A	P1208802C
M22 - LAC03A	P1180106C		
M23 - EHK05A	P1187201C - BHA's		
M24 - EHK10A	P1187202C		
M25 - EHK15A	P1187203C		
M26 - EHK20A	P1187204C		
M27 - EHK25A	P1187205C		
M28 - EHK30A	P1187206C		
M29 - DSK01A	P1187207C		
M30 - EHK07A	P1187208C		
M31 - ROK01A	P1188901C		
M32 - ASC01A	P1200601C		
M33 - EHK05B	P1206301C - BDA / PBA's		
M34 - EHK07B	P1206302C		
M35 - EHK10B	P1206303C		
M36 - EHK15B	P1206304C		
M37 - EHK20B	P1206305C		
M38 - EHK25B	P1206306C		
M39 - EHK30B	P1206307C		
M40 - ECB05B	P1206308C		
M41 - ECB07B	P1206309C		
M42 - ECB10B	P1206310C		
M43 - ECB15B	P1206311C		
M44 - ECB20B	P1206312C		
M45 - ECB25B	P1206313C		
M46 - ECB30B	P1206314C		
M47 - TXV01A	P1206501C		
M48 - TXV02A	P1206502C		

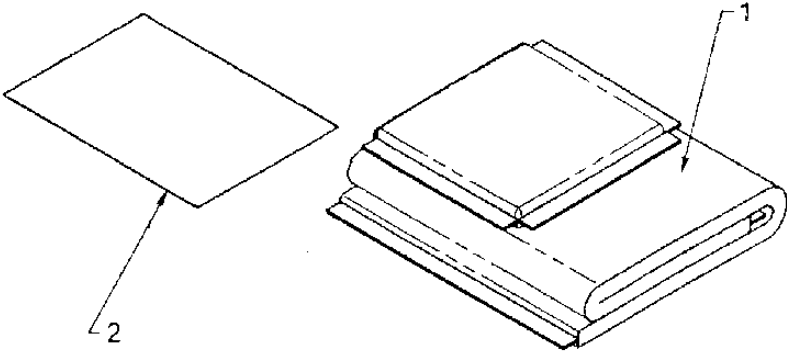
Fossil Fuel Kit (FFK __ A)



Fossil Fuel Kit (FFK __ A)

Ref. Part No: No:	Description:	Ref. Part No: No:	Description:
1 10068501	BRACKET-OUTDOOR THERMOSTAT (M1)		
2 C6444001	THERMOSTAT-OUTDOOR (M1)		
3 M0211003	SCREW-SM (M1) (QTY 2)		
4 C2737506	KNOB-CONTROL (M1)		
5 11024702	BASE-RELAY KIT PNT (M1)		
6 C6409301	RELAY (M1) (QTY 2)		
7 C6409302	RELAY (M1)		
8 B1290907	SWITCH-TIME DELAY (M1)		
9 M0216515	SCREW-SM (M1) (QTY 98)		
10 M0500114	GROMMET (M1) (QTY 2)		
11 11024802	COVER-RELAY KIT PNT (M1)		
12 11024901	BOARD-TERMINAL (M1)		
13 11137301	DIAGRAM-WIRING (M1)		
14 M0216716	SCREW-SM (M1) (QTY 2)		
15 M0233704	SCREW-SD (M1) (QTY 4)		
16 10664111	INSTRUCTION-INSTALLATION (M1)		

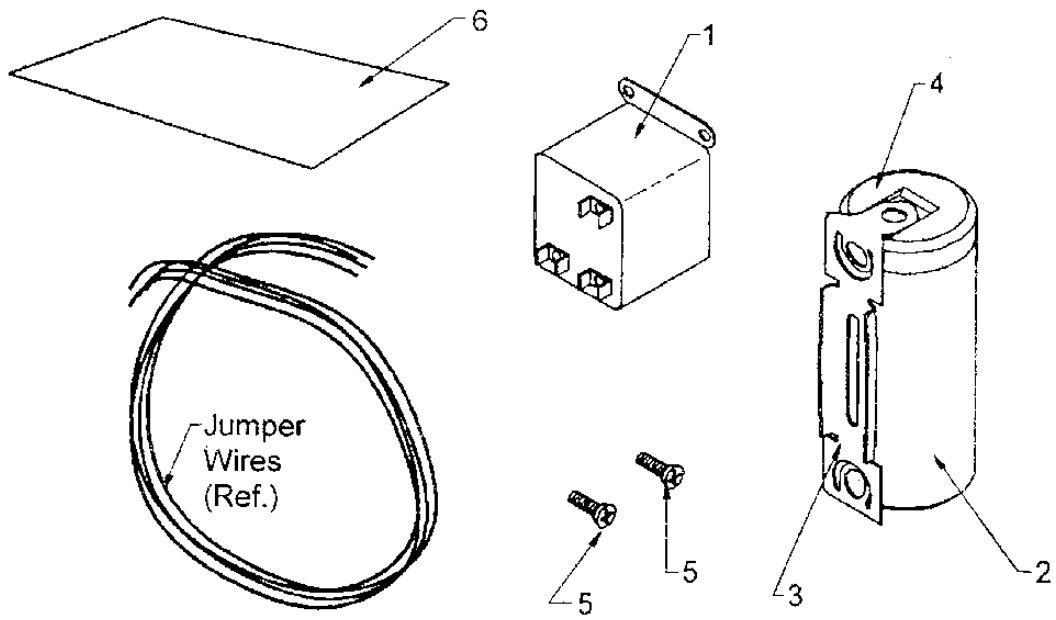
Compressor Sound Blanket Kit (CSB __ A)



Compressor Sound Blanket Kit (CSB __ A)

Ref. Part No:	Part No:	Description:	Ref. Part No:	Part No:	Description:
1	10857101	BLANKET-SOUND (M4)			
1	11026401	BLANKET-SOUND (M7)			
1	11026501	BLANKET-SOUND (M8)			
1	11026301	BLANKET-SOUND (M5)			
1	11026201	BLANKET-SOUND (M6)			
1	10721001	BLANKET-SOUND (M3)			
1	11026601	BLANKET-SOUND (M9)			
1	10720901	BLANKET-SOUND (M2)			
2	10664110	INSTRUCTION-INSTALLATION (M1, M2, M3, M4, M5, M6, M7, M8, M9)			

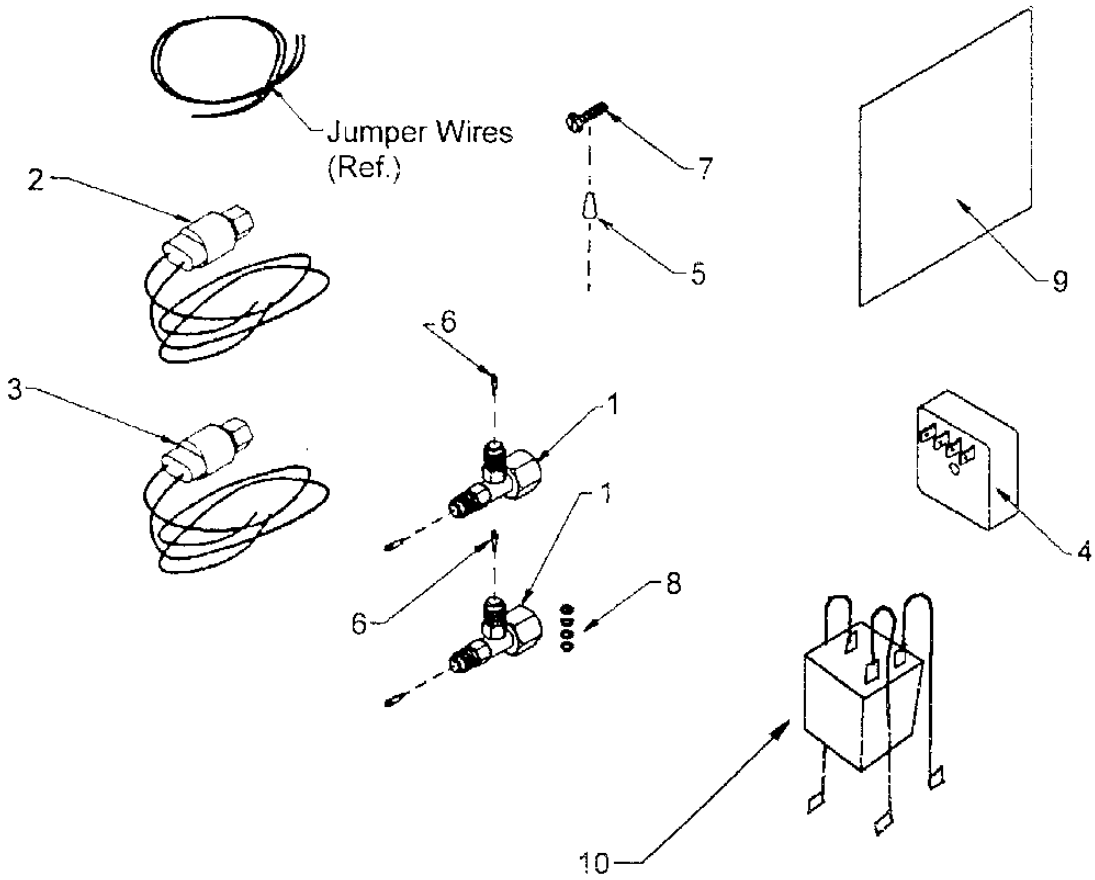
Hard Start Kit (HSK __ A)



Hard Start Kit (HSK __ A)

Ref. Part No:	Part No:	Description:	Ref. Part No:	Part No:	Description:
1	10142302	RELAY-START (M10)			
1	10142305	RELAY-START (M17)			
1	10142308	RELAY-START (M12)			
1	10142312	RELAY-START (M14)			
1	10142320	RELAY-START (M13)			
1	10142304	RELAY-START (M15)			
1	10142301	RELAY-START (M11)			
1	10142317	RELAY-START (M16)			
2	B1104807	CAPACITOR-START (M15, M16)			
2	B1104804	CAPACITOR-START (M10)			
2	B1104806	CAPACITOR-START (M11, M14, M17)			
2	B1104805	CAPACITOR-START (M12, M13)			
3	C6450402	BRACKET-CAPACITOR (M10, M11, M12, M13, M14, M15, M16, M17)			
4	C6450303	CAP-CAPACITOR (M15, M16)			
4	C6450302	CAP-CAPACITOR (M10, M11, M12, M13, M14, M17)			
5	M0230630	SCREW-SM (M10, M11, M12, M13, M14, M15, M16, M17) (QTY 2)			
6	10664108	INSTRUCTION-INSTALLATION (M10, M11, M12, M13, M14, M15, M16, M17)			

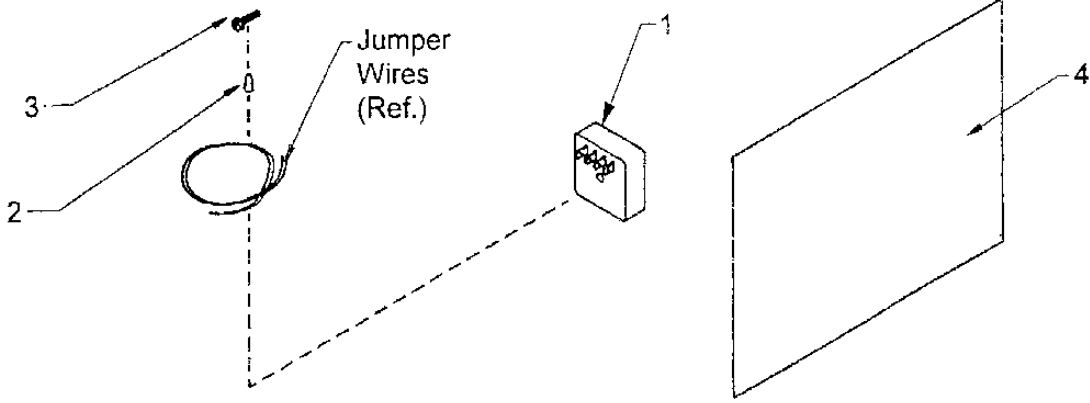
Pressure Control Kit (PCK __ A) & Low Ambient Control Kit (LAC __ A)



Pressure Control Kit (PCK __ A) & Low Ambient Control Kit (LAC __ A)

Ref. Part No: No:	Description:	Ref. Part No: No:	Description:
1 10768001	VALVE-DUAL FITTING (M18, M19, M20, M21, M22) (QTY 98)		
2 C6453306	CUTOUT-LOW PRESS (M18)		
2 10768102	CUTOUT-LOW AMBIENT (M21, M22)		
2 10768101	CUTOUT-LOW AMBIENT (M19)		
2 C6453307	CUTOUT-LOW PRESS (M20)		
3 C6453406	CUTOUT-HIGH PRESS (M18, M20)		
4 C6415502	PROTECTOR-CYCLE (M18, M20)		
5 A0317601	NUT-WIRE (M18, M19, M20, M21, M22) (QTY 98)		
6 A4692801	VALVE-CORE (M18, M19, M20, M21, M22) (QTY 98)		
7 M0216521	SCREW-SM (M18, M20)		
8 M0274064	WASHER-TEFLON (M18, M19, M20, M21, M22) (QTY 98)		
9 10664107	INSTRUCTION-INSTALLATION (M18, M20)		
9 10664113	INSTRUCTION-INSTALLATION (M22)		
9 10664103	INSTRUCTION-INSTALLATION (M19)		
9 10664112	INSTRUCTION-INSTALLATION (M21)		
10 11078401	RELAY ASSEMBLY (M22)		

Anti-Short Cycle Kit (ASC __ A)



Anti-Short Cycle Kit (ASC __ A)

Ref. Part

No: No:

Description:

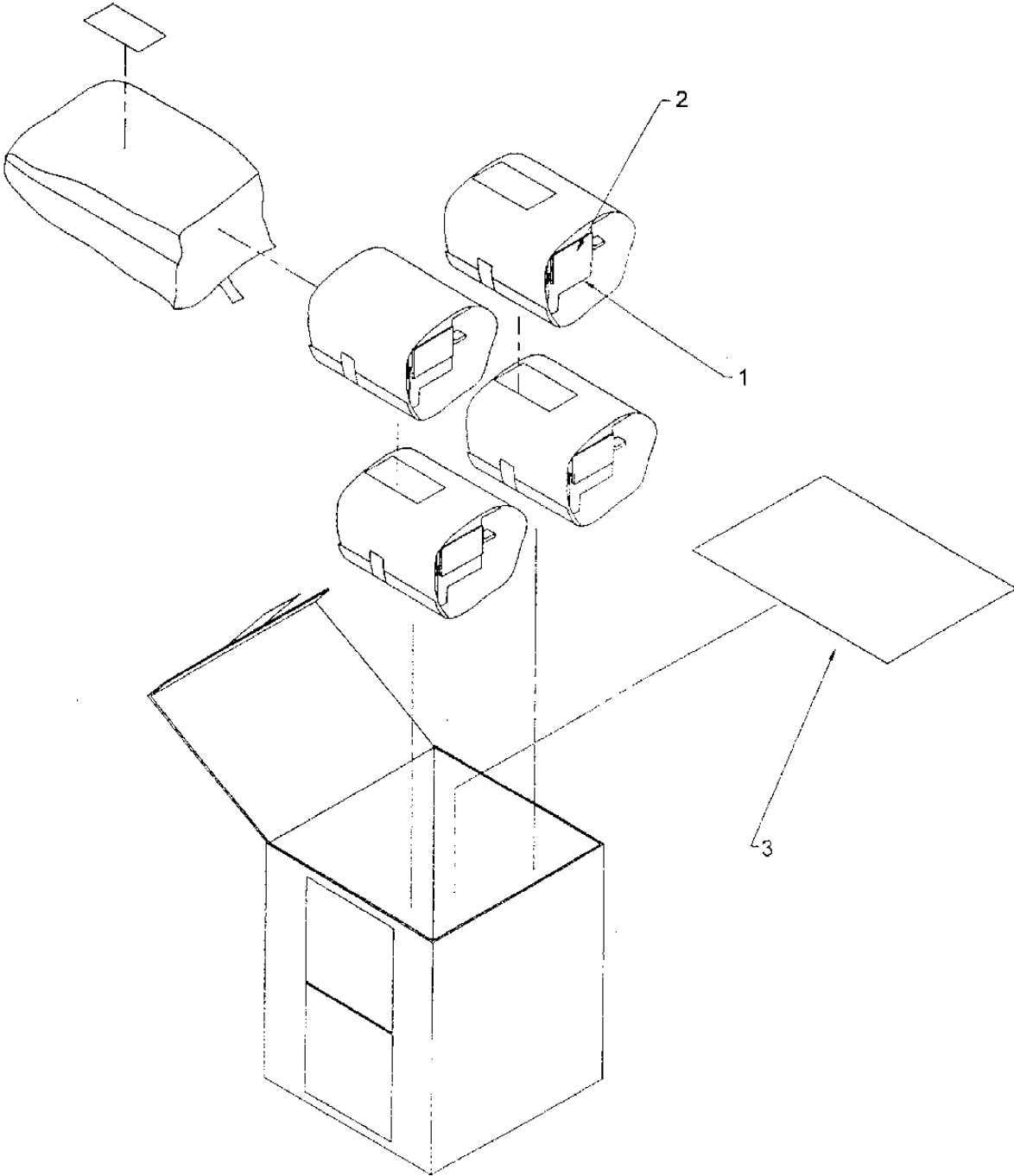
Ref. Part

No: No:

Description:

1	C6415502	PROTECTOR-CYCLE (M32)
2	A0317601	NUT-WIRE (M32)
3	M0216521	SCREW-SM (M32)
4	10664106	INSTRUCTION-INSTALLATION (M32)

Single Power Supply Kit (SPK __ A)

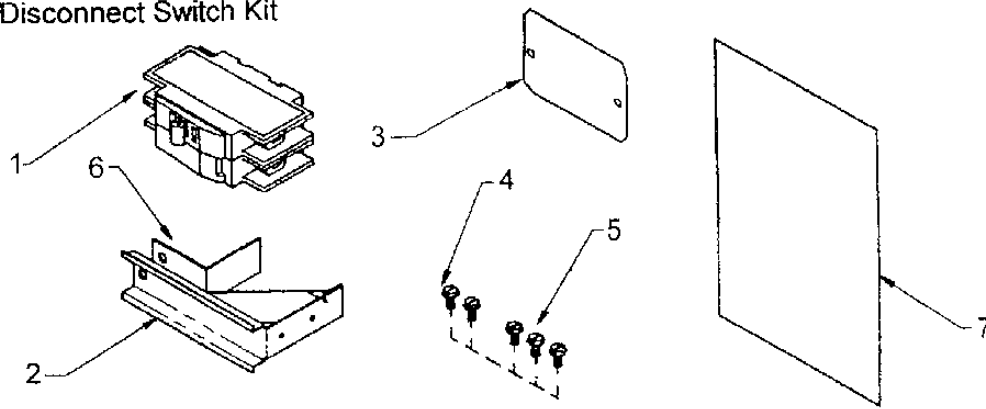


Single Power Supply Kit (SPK __ A)

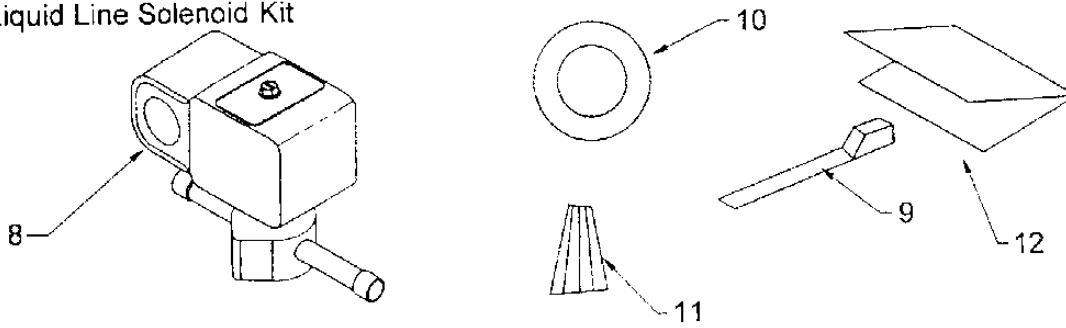
Ref. Part			Ref. Part		
No:	No:	Description:	No:	No:	Description:
1	10846601	BAR-JUMPER (M68)			
1	10846602	BAR-JUMPER (M69)			
2	10846702	COVER-JUMPER BAR (M69)			
2	10846701	COVER-JUMPER BAR (M68)			
3	11132701	INSTRUCTION-INSTALLATION (M68, M69)			

Miscellaneous Kits

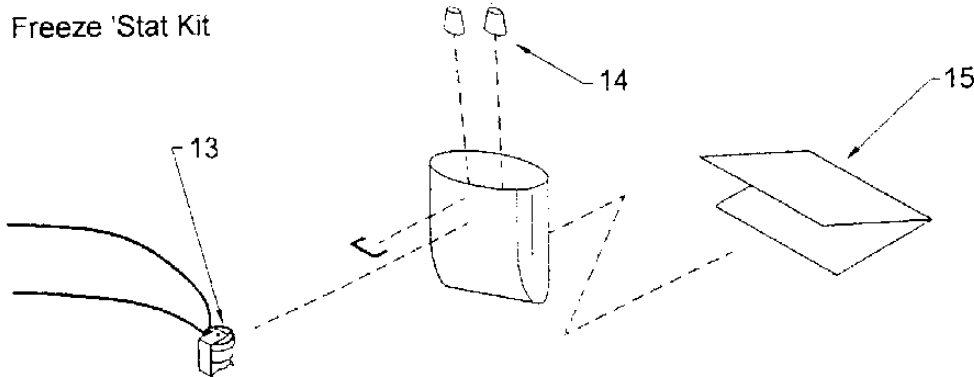
Disconnect Switch Kit



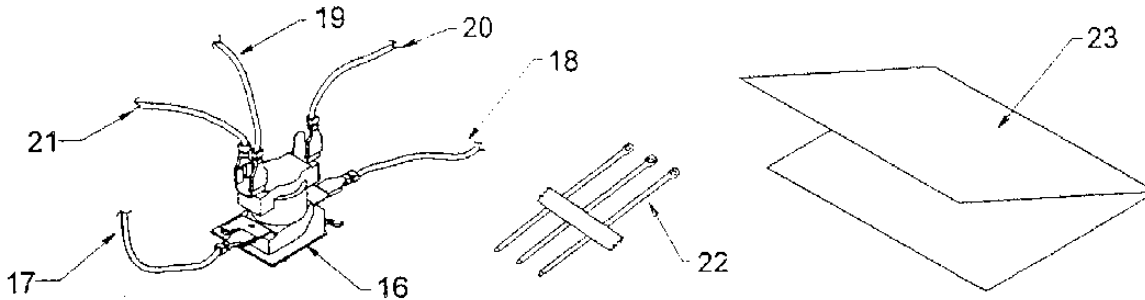
Liquid Line Solenoid Kit



Freeze 'Stat Kit



Blower Delay Kit

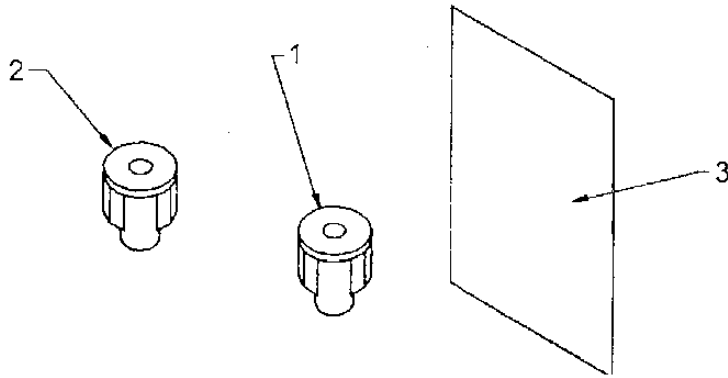


Miscellaneous Kits

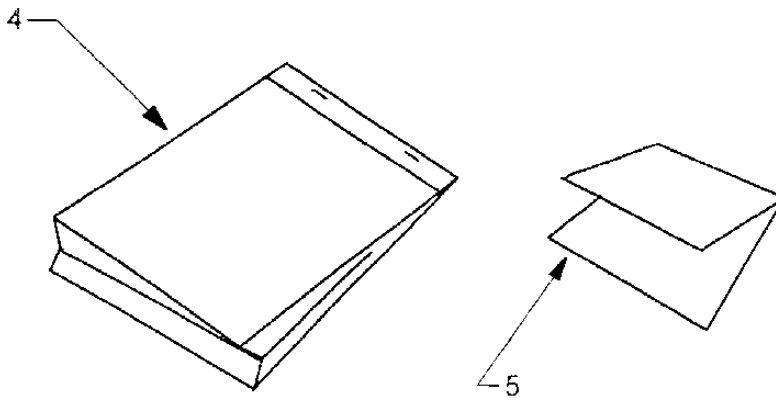
Ref. Part No: No:	Description:	Ref. Part No: No:	Description:
1 10879901	SWITCH-NON AUTOMATIC (M29)		
2 10799201	MOUNT-CIRCUIT BREAKER (M29)		
3 10738302	CIRCUIT BREAKER COVER-PNT (M29)		
4 M0211016	SCREW-SM (M29) (QTY 4)		
5 M0218901	SCREW-SM (M29)		
6 11013101	CIRCUIT BREAKER RETAINER (M29)		
7 10858301	INSTRUCTION-INSTALLATION (M29)		
8 11062301	SOLENOID VALVE ASSEMBLY (M50)		
9 M0321202	TIE-ELECTRIC (M50)		
10 A4603801	GROMMET (M50)		
11 A4617501	NUT-WIRE (M50) (QTY 2)		
12 11062401	INSTRUCTION-INSTALLATION (M50)		
13 11046704	DISC-THERMOSTAT (M52)		
14 A4617501	NUT-WIRE (M52) (QTY 2)		
15 11140101	INSTRUCTION-INSTALLATION (M52)		
16 M0385305	SWITCH (M51)		
17 10776271	WIRE-JUMPER YL39 (M51)		
18 10776272	WIRE-JUMPER GY38 (M51)		
19 10776273	WIRE-JUMPER BU31 (M51)		
20 10776274	WIRE-JUMPER BK20 (M51)		
21 10776275	WIRE-JUMPER BU18 (M51)		
22 M0321202	TIE-ELECTRIC (M51) (QTY 3)		
23 11072501	INSTRUCTION-INSTALLATION (M51)		

Restrictor Orifice (ROK01A) & Remote Orifice Kits (ROK __ A)

ROK01A



ROK __ A

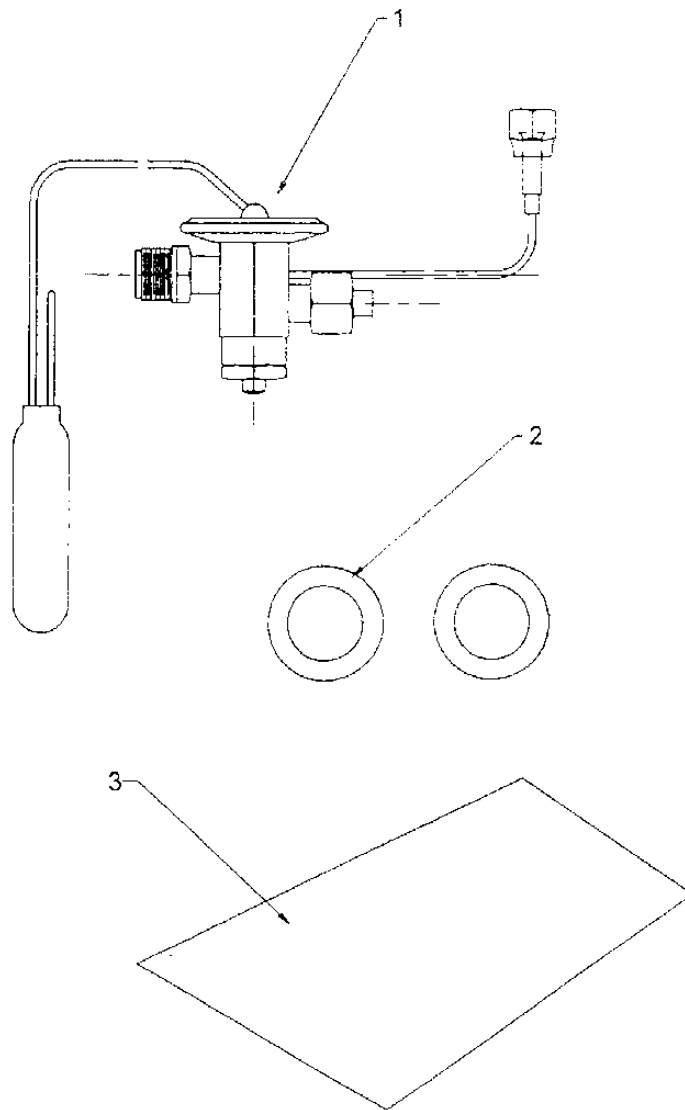


Restrictor Orifice (ROK01A) & Remote Orifice Kits (ROK __ A)

Ref. Part No:	Part No:	Description:	Ref. Part No:	Part No:	Description:
1	B1443808	RESTRICTOR 069 (M31)			
1	B1443813	RESTRICTOR 081 (M31)			
1	B1443810	RESTRICTOR 092 (M31)			
1	B1443803	RESTRICTOR 073 (M31)			
1	B1443812	RESTRICTOR 054 (M31)			
1	B1443811	RESTRICTOR 063 (M31)			
2	B1443806	RESTRICTOR 058 (M31)			
2	B1443817	RESTRICTOR 076 (M31)			
2	B1443805	RESTRICTOR 084 (M31)			
2	B1443807	RESTRICTOR 067 (M31)			
2	B1443816	RESTRICTOR 061 (M31)			
2	B1443815	RESTRICTOR 079 (M31)			
2	B1443814	RESTRICTOR 072 (M31)			
2	B1443809	RESTRICTOR 051 (M31)			
3	10664106	INSTRUCTION-INSTALLATION (M31)			
4	11096205	PISTON BAG ASSEMBLY* .0630 (M57)			
4	11096207	PISTON BAG ASSEMBLY* .0720 (M59)			
4	11096206	PISTON BAG ASSEMBLY* .0689 (M58)			
4	11096208	PISTON BAG ASSEMBLY* .0730 (M60)			
4	11096209	PISTON BAG ASSEMBLY* .0760 (M61)			
4	11096210	PISTON BAG ASSEMBLY* .0807 (M62)			
4	11096211	PISTON BAG ASSEMBLY* .0810 (M63)			
4	11096213	PISTON BAG ASSEMBLY* .0886 (M65)			
4	11096214	PISTON BAG ASSEMBLY* .0925 (M66)			
4	11096215	PISTON BAG ASSEMBLY* .0980 (M67)			
4	11096212	PISTON BAG ASSEMBLY* .0846 (M64)			
4	11096203	PISTON BAG ASSEMBLY* .0591 (M55)			
4	11096202	PISTON BAG ASSEMBLY* .0550 (M54)			
4	11096204	PISTON BAG ASSEMBLY* .0610 (M56)			
4	11096201	PISTON BAG ASSEMBLY* .0512 (M53)			
5	10664114	INSTRUCTION-REMOTE ORIFICE KIT (M53, M54, M55, M56, M57, M58, M59, M60, M61, M62, M63, M64, M65, M66, M67)			

*Includes Piston Orifices (Qty. 3); Teflon Washers (Qty. 3) Label Sheet (Qty. 1); and, Restrictor Extractor (Qty. 1)

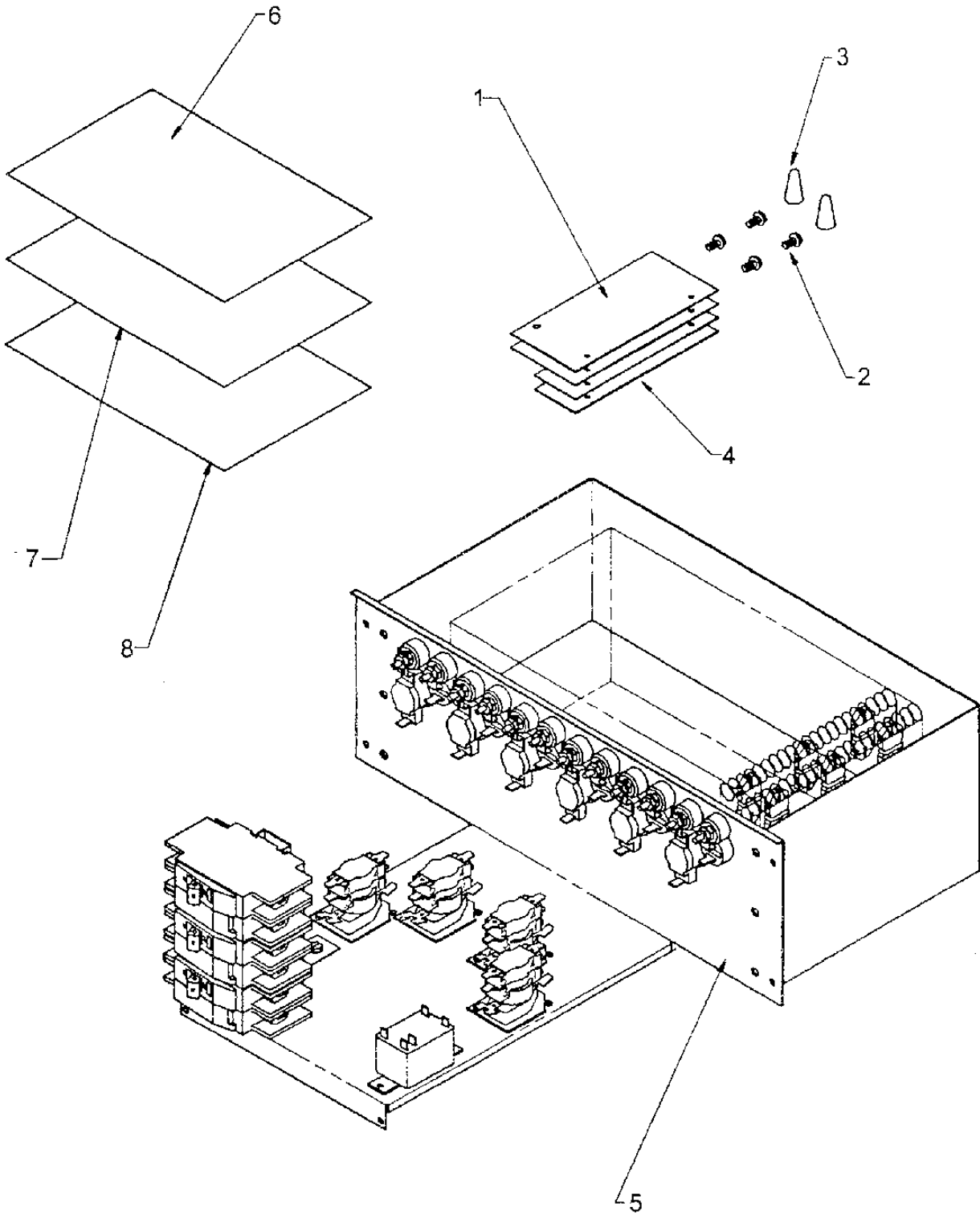
Thermal Expansion Valve Kits (TXV __ A)



Thermal Expansion Valve Kits (TXV __ A)

Ref. Part			Ref. Part		
No:	No:	Description:	No:	No:	Description:
1	11062009	VALVE-EXPANSION (M49)			
1	11062006	VALVE-EXPANSION (M48)			
1	11062005	VALVE-EXPANSION (M47)			
2	M0274068	WASHER-TEFLON (M47, M48, M49) (QTY 2)			
3	11037301	INSTRUCTION-INSTALLATION (M47, M48, M49)			

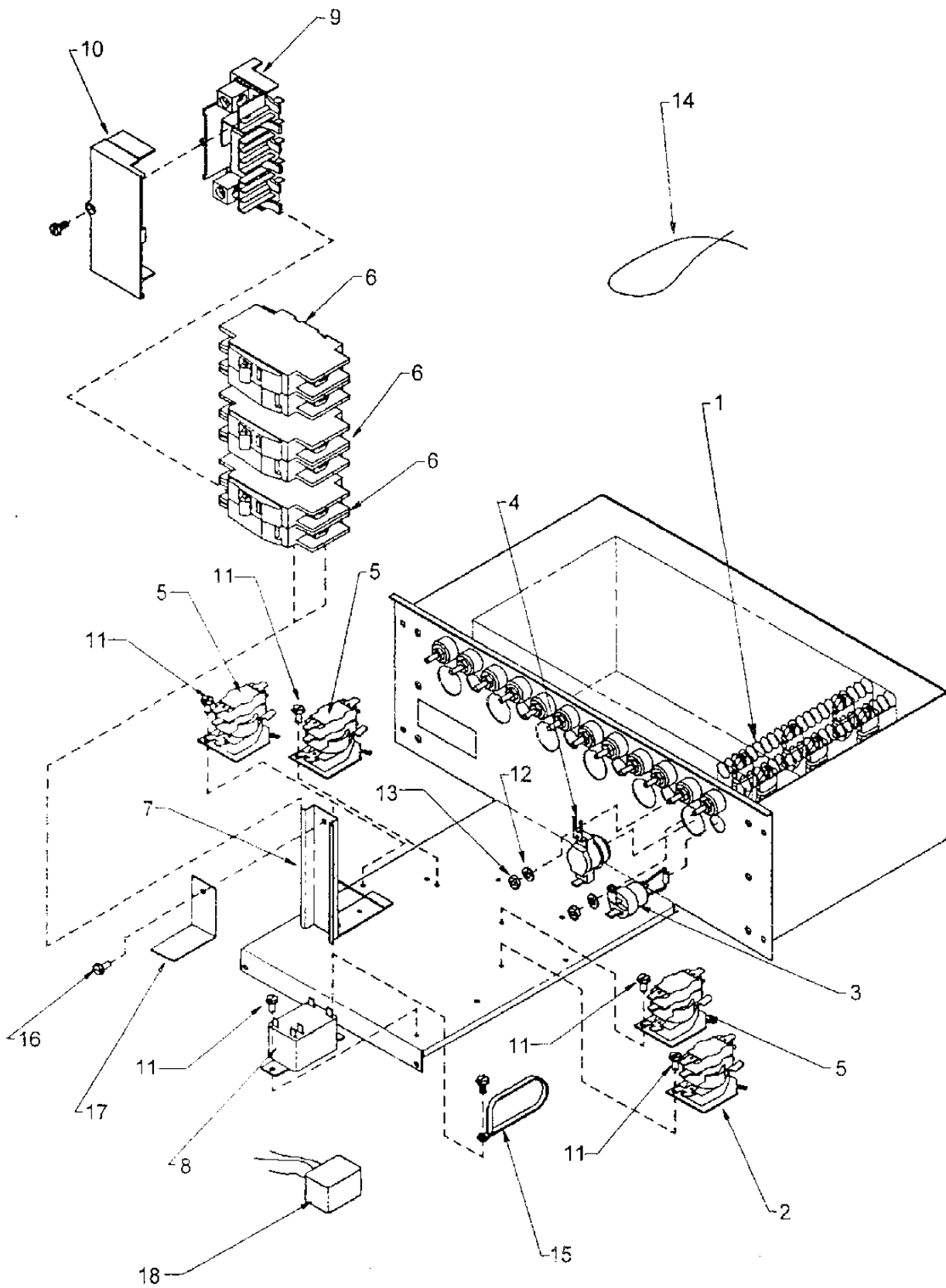
Electric Heater Kits (EHK __ A)



Electric Heater Kits (EHK __ A)

Ref. Part No:	Ref. Part No:	Description:	Description:
1	10849201	PLATE-ADAPTER (M23, M24, M25, M30) (QTY 2)	
1	10849202	PLATE-ADAPTER (M26) (QTY 2)	
2	M0211016	SCREW-SM (M23, M24, M25, M26, M30) (QTY 4)	
3	A4617509	NUT-WIRE (M24, M30) (QTY 2)	
3	A4617508	NUT-WIRE (M23) (QTY 2)	
4	10849203	PLATE-ADAPTER (M23, M24, M25, M30) (QTY 2)	
5	10799105	HEATER ASSEMBLY, 24.0 KW (M27)	
5	10799107	HEATER ASSEMBLY, 7.2 KW (M30)	
5	10799101	HEATER ASSEMBLY, 4.8 KW (M23)	
5	10799104	HEATER ASSEMBLY, 19.2 KW (M26)	
5	10799102	HEATER ASSEMBLY, 9.6 KW (M24)	
5	10799103	HEATER ASSEMBLY, 14.4 KW (M25)	
5	10799106	HEATER ASSEMBLY, 28.8 KW (M28)	
6	11018401	DIAGRAM-WIRING (M25)	
6	11018501	DIAGRAM-WIRING (M26)	
6	11018601	DIAGRAM-WIRING (M27)	
6	11018201	DIAGRAM-WIRING (M23)	
6	11018301	DIAGRAM-WIRING (M24)	
6	11018701	DIAGRAM-WIRING (M28)	
6	11049601	DIAGRAM-WIRING (M30)	
7	11049501	DIAGRAM-WIRING (M30)	
7	11026901	DIAGRAM-WIRING (M25)	
7	11027201	DIAGRAM-WIRING (M28)	
7	11027101	DIAGRAM-WIRING (M27)	
7	11027001	DIAGRAM-WIRING (M26)	
7	11026801	DIAGRAM-WIRING (M24)	
7	11026701	DIAGRAM-WIRING (M23)	
8	10858301	INSTRUCTION-INSTALLATION (M23, M24, M25, M26, M27, M28)	
8	10858302	INSTRUCTION-INSTALLATION (M30)	

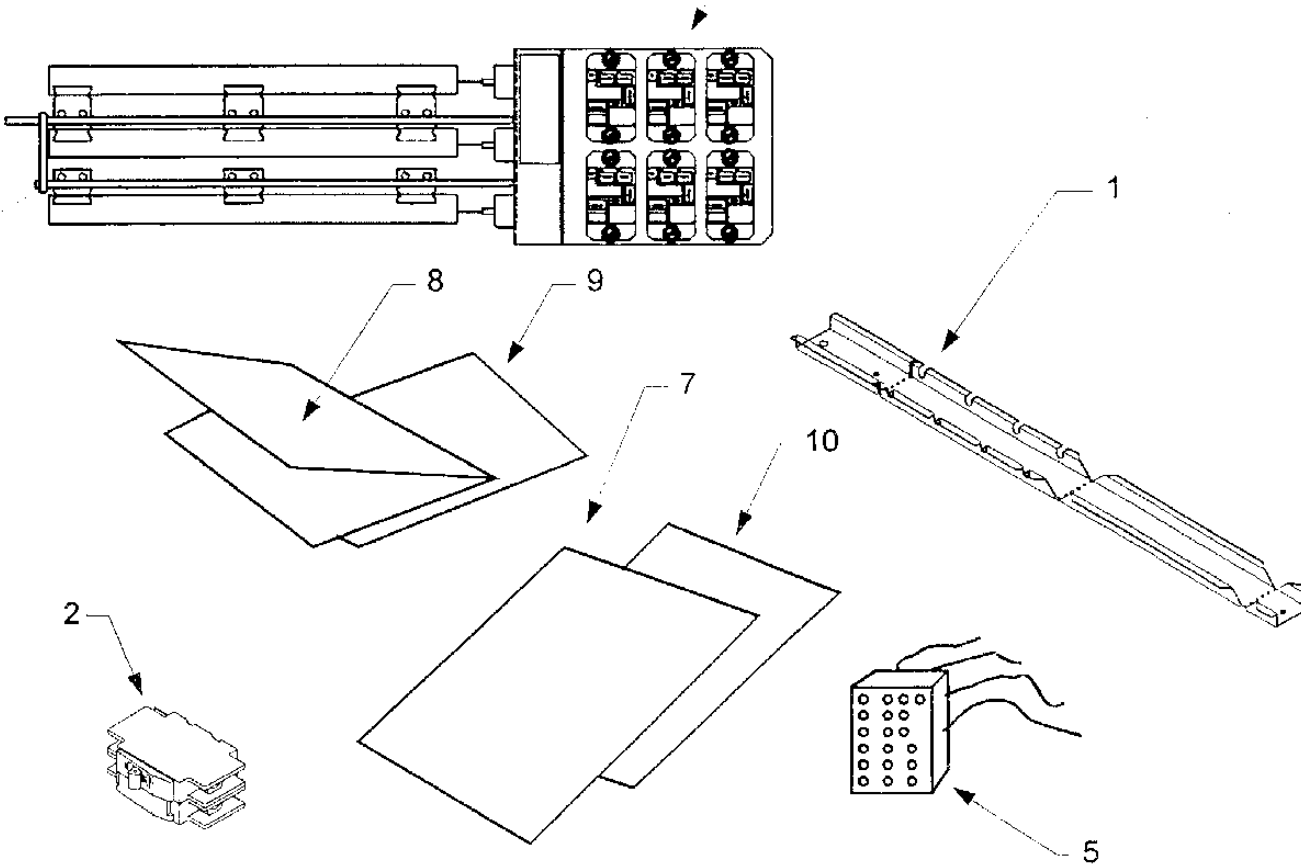
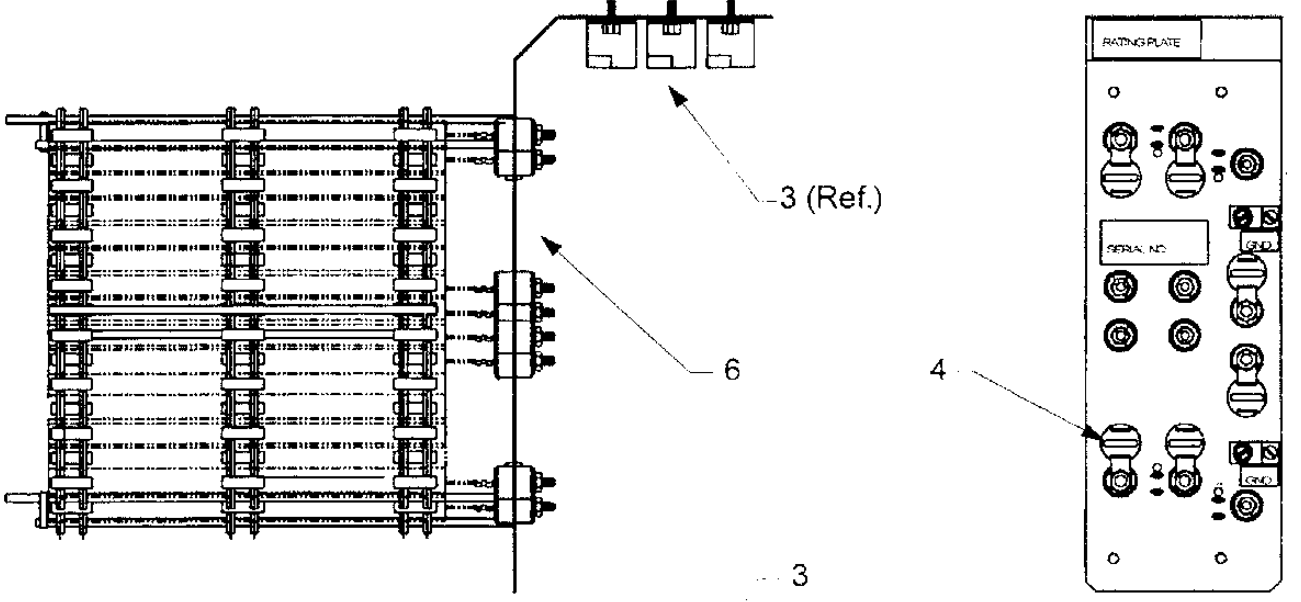
Service Replaceable Parts -- Electric Heater Kits (EHK __ A)



Service Replaceable Parts -- Electric Heater Kits (EHK __ A)

Ref. Part No:	Ref. Part No:	Description:	Description:
1	10799304	ELEMENT-HTR 7.2 KW (M30)	
1	10799303	ELEMENT-HTR 14.4 KW (M25)	
1	10799302	ELEMENT-HTR 9.6 KW (M24)	
1	10799502	ELEMENT-HTR 28.8 KW (M28)	
1	10799301	ELEMENT-HTR 4.8 KW (M23)	
1	10799501	ELEMENT-HTR 24.0 KW (M27)	
1	10799401	ELEMENT-HTR 19.2 KW (M26)	
2	M0385403	SWITCH (M23, M24, M25, M26, M27, M28, M30)	
3	B1188507	LINK-THERMAL FUSE (M23, M24, M25, M26, M27, M28, M30) (QTY 98)	
4	B1340110	THERMOSTAT (M23, M24, M25, M26, M28, M30) (QTY 98)	
5	M0385401	SWITCH (M24, M25, M26, M27, M28, M30) (QTY 98)	
6	10846501	BREAKER-30A CKT (M25, M27)	
6	10846502	BREAKER-60A CKT (M25, M26, M27, M28) (QTY 98)	
7	10799201	MOUNT-CIRCUIT BREAKER (M25, M26, M27, M28)	
8	B1312301	RELAY-SPDT (M23, M24, M25, M26, M27, M28, M30)	
9	10846601	BAR-JUMPER (M25, M26)	
9	10846602	BAR-JUMPER (M27, M28)	
10	10846702	COVER-JUMPER BAR (M27, M28)	
10	10846701	COVER-JUMPER BAR (M25, M26)	
11	M0216529	SCREW-SM (M23, M24, M25, M26, M27, M28, M30) (QTY 98)	
12	M0270504	WASHER-FLAT (M23, M24, M25, M26, M27, M28, M30) (QTY 98)	
13	M0282010	NUT (M23, M24, M25, M26, M27, M28, M30) (QTY 98)	
14	M0321202	TIE-ELECTRICAL (M23, M24, M25, M26, M27, M28, M30) (QTY 98)	
15	M0280301	TIE-ELECTRICAL (M23, M24, M25, M26, M27, M28, M30) (QTY 98)	
16	M0218901	SCREW-SM (M25, M26, M27, M28)	
17	11013101	CIRCUIT BREAKER RETAINER (M25, M26, M27, M28)	
18	11018801	HARNESS-WIRING (M23, M24, M25, M26, M27, M28, M30)	

Electric Heater Kits (EHK __ B & ECB __ B)



Electric Heater Kits (EHK __ B & ECB __ B)

Ref. Part No:	Part No:	Description:	Ref. Part No:	Part No:	Description:
1	11118502	BRACKET-BREAKER (FORMED)** (M40, M41, M42, M43, M44, M45, M46)			
2	10846501	BREAKER-30 AMP CIRCUIT** (M40, M43, M45)			
2	10846503	BREAKER-45 AMP CIRCUIT** (M44)			
2	10846502	BREAKER-60 AMP CIRCUIT** (M42, M43, M44, M45, M46) (QTY 98)			
3	11091701	RELAY (M33, M34, M35, M36, M37, M38, M39, M40, M41, M42, M43, M44, M45, M46) (QTY 98)			
4	B1188508	LINK-THERMAL FUSE (M33, M34, M35, M36, M37, M38, M39, M40, M41, M42, M43, M44, M45, M46) (QTY 98)			
5	11176406	HARNESS-WIRING (M33, M40)			
5	11176401	HARNESS-WIRING (M34, M35, M36, M37, M38, M39, M41, M42, M43, M44, M45, M46)			
6	11181105	HEATER ASSEMBLY* (M37, M44)			
6	11181106	HEATER ASSEMBLY* (M38, M45)			
6	11181104	HEATER ASSEMBLY* (M36, M43)			
6	11181107	HEATER ASSEMBLY* (M39, M46)			
6	11181102	HEATER ASSEMBLY* (M34, M41)			
6	11181101	HEATER ASSEMBLY* (M33, M40)			
6	11181103	HEATER ASSEMBLY* (M35, M42)			
7	11146401	DIAGRAM-WIRING (M34, M35)			
7	11146501	DIAGRAM-WIRING (M36)			
7	11146701	DIAGRAM-WIRING (M38)			
7	11146801	DIAGRAM-WIRING (M39)			
7	11146601	DIAGRAM-WIRING (M37)			
7	11147501	DIAGRAM-WIRING (M33)			
7	11147701	DIAGRAM-WIRING (M36)			
7	11147801	DIAGRAM-WIRING (M37)			
7	11147901	DIAGRAM-WIRING (M38)			
7	11148001	DIAGRAM-WIRING (M39)			
7	11147601	DIAGRAM-WIRING (M34, M35)			
7	11146301	DIAGRAM-WIRING (M33)			
8	11136701	INSTRUCTION-INSTALLATION (M33, M34, M35, M36, M37, M38, M39, M40, M41, M42, M43, M44, M45, M46)			
9	11136701	INSTRUCTION-INSTALLATION** (M40, M41, M42, M43, M44, M45, M46)			
10	11147201	DIAGRAM-WIRING** (M44)			
10	11147101	DIAGRAM-WIRING** (M43)			
10	11147001	DIAGRAM-WIRING** (M41, M42)			
10	11146901	DIAGRAM-WIRING** (M40)			
10	11147301	DIAGRAM-WIRING** (M45)			
10	11147401	DIAGRAM-WIRING** (M46)			

*Heater Assembly does not include relays, fuse link or wiring harness.

**Used with ECB Kits only.