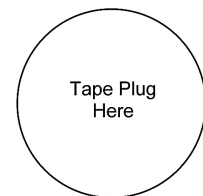
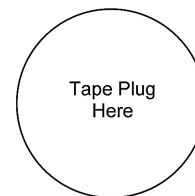


# GAS VENT DAMPER

Model: GVD-4 through 12



English ..... Page 1  
Français ..... Page 13



Field Controls (GVD) gas vent damper was developed to reduce off cycle venting losses through boilers and draft hoods. When the boiler is in a standby mode, heat escapes up the chimney. The heat comes from the boiler and the conditioned space. To significantly reduce these losses, install a Field Controls Gas Vent Damper. The damper is installed in the vent as close to the draft hood as practical. When properly installed, the damper opens before the burner fires, and closes after the burner shuts off. The electrical circuits in this product are designed not to override the existing limit and safety controls of the boiler.

**CAUTION:** The plug is installed only if the appliance is equipped with an intermittent or direct ignition system. Failure to follow these instructions can cause odor problems and minor property damage due to moisture. Do not install on standing pilot systems.

**READ THESE INSTRUCTIONS CAREFULLY AND COMPLETELY BEFORE PROCEEDING WITH THE INSTALLATION.**

This device **MUST** be installed by a qualified agency in accordance with the manufacturer's installation instructions. The definition of a qualified agency is: any individual, firm, corporation or company which either in person or through a representative is engaged in, and is responsible for, the installation and operation of HVAC appliances, who is experienced in such work, familiar with all the precautions required, and has complied with all the requirements of the authority having jurisdiction.

Please retain these instructions after installation.

Installed By: \_\_\_\_\_ Phone: \_\_\_\_\_ Installation Date: \_\_\_\_\_



**FIELD CONTROLS**

www.fieldcontrols.com

## OPERATION

When the boiler receives a call for heat, the damper rotates to the open position before the burner circuit is energized. If the damper does not rotate to the open position, the burner circuit will not be energized. When properly installed, the electrical circuits in this product are designed not to override the existing limit and safety controls of the appliance.

**WARNING:** Before installing the vent damper:

1. Read this manual carefully and completely.
2. Be sure to follow all procedures and safety inspections.
3. Do not negate the action of any safety or operational controls.
4. The vent damper is not for retrofit in Canada.

## TO THE USER

For continued safe operation the appliance device combination should be inspected annually by a qualified service agency. It is recommended that the homeowner should have the vent system and the damper device examined annually for deterioration from corrosion or other sources. This inspection should be performed prior to and during each heating season.

## GENERAL INFORMATION

### DIMENSIONAL DATA

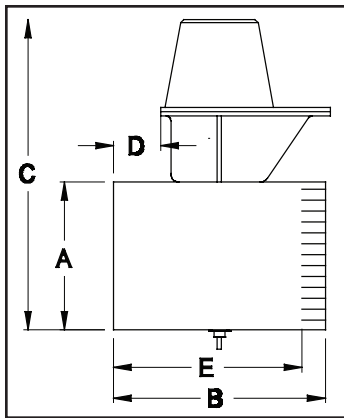


Figure 1

A Tube Size (Inches)	B Length (Inches)	C Total Height (Inches)	D (Inches)	E (Inches)	Weight (lbs.)
4	6	9 $\frac{5}{8}$	1 $\frac{5}{16}$	5	2.50
5	6	10 $\frac{5}{8}$	1 $\frac{5}{16}$	5	2.70
6	6 $\frac{1}{2}$	11 $\frac{5}{8}$	1 $\frac{1}{8}$	5 $\frac{1}{2}$	3.10
7	7 $\frac{1}{16}$	12 $\frac{5}{8}$	1 $\frac{3}{8}$	6 $\frac{1}{16}$	3.55
8	8 $\frac{1}{16}$	13 $\frac{5}{8}$	1 $\frac{1}{8}$	7 $\frac{1}{16}$	4.40
9	10 $\frac{1}{8}$	14 $\frac{5}{8}$	2 $\frac{1}{8}$	9 $\frac{1}{8}$	6.27
10	12 $\frac{1}{8}$	15 $\frac{5}{8}$	3 $\frac{1}{8}$	11 $\frac{1}{8}$	6.95
12	12 $\frac{1}{8}$	17 $\frac{5}{8}$	3 $\frac{1}{8}$	11 $\frac{1}{8}$	8.75

## ELECTRICAL DATA

Minimum Wiring Requirements	24 VAC, 18 gauge, 105C
Thermostat Heat Anticipation	Add an additional 0.1 Amp to the specified or measured control circuit amps
Power Draw Requirement	3W at 24 VAC when opening or closing
Timing	15 seconds, Power open 15 seconds, Power close

## UNPACKING INSTRUCTIONS

1. The Field Controls GVD Series Gas Vent Damper is packaged in a single carton containing an assembled GVD, instruction manual, and a plug. NOTE: Some OEM supplied units have the wiring harness attached.
2. Inspect for damage prior to the installation.
3. Retrofit installations require a wire harness. Order the universal wire harness #46390008.

## PRE-INSTALLATION WARNINGS

1. The Field Controls Gas Vent Damper must be installed by a qualified installing agency in accordance with the manufacturer's installation instructions. The definition of a qualified installation agency is: any individual, firm, corporation or company which either in person or through a representative is engaged in, and is responsible for, the installation and operation of gas appliances and automatic vent damper devices, who is experienced in such work, familiar with all the precautions required, and has complied with all the requirements of the authority having jurisdiction. The qualified installer shall fill in the installer's name, address, and installation date on the label attached to the vent damper device.
2. Do not negate the action of any existing safety or operational controls.
3. When servicing controls, all wires must be LABELED prior to disconnection. Wiring errors can cause improper and dangerous operation.
4. Device must be installed by a qualified installer, in compliance with local codes or the National Fuel Gas Code (ANSI Z223.1, NFPA 54 or CAN/CGA-B149) and the National Electrical Code (ANSI C1-NFPA 70).
5. Device conforms to ANSI Z21.66. CSA design certified.
6. Use only with a listed gas fired appliance equipped with a draft hood, the outlet area of which is not greater than the inlet area of the device.
7. Install after the appliance draft hood, as close to the draft hood as possible, and without modification to the draft hood or the vent damper.
8. Locate in a venting system or section of a venting system so that it services only the single appliance for which it is intended.
9. A minimum clearance of 6 inches (153mm) between the damper device and combustible construction must be maintained and there must be provisions for access and service of the damper device.
10. Position indicator and service switch must be accessible to the user.
11. The installer must fill in the label on the side of the motor assembly cover.
12. This device must be installed only on a listed gas appliance connected to a factory built chimney or vent complying with a recognized standard, or a masonry or concrete chimney lined with a lining material acceptable to the authority having jurisdiction.
13. This vent damper device shall not be installed on an appliance with an automatic valve having a manual valve control unless the manual valve control has been rendered in-operative or the automatic valve has been replaced with a redundant automatic valve not equipped with a manual valve control.

## PRE-INSTALLATION INSPECTIONS

### PROCEDURE FOR SAFETY INSPECTION OF AN EXISTING APPLIANCE INSTALLATION

The following procedure is intended as a guide to aid in determining that an appliance is properly installed and is in a safe condition for continuing use.

This procedure is predicated on central furnace, boiler, and water heater installations, and it should be recognized that generalized procedures cannot anticipate all situations. Accordingly, in some cases, deviation from this procedure may be necessary to determine safe operation of the equipment.

1. This procedure shall be performed prior to installation of the automatic vent damper device.
2. If it is determined there is a condition which could result in unsafe operation, the appliance should be shut off and the owner advised of the unsafe condition. Do not install the automatic vent damper device until the unsafe condition has been corrected.

## SAFETY INSPECTION

1. Conduct a gas leakage test of the appliance piping and control system downstream of the shutoff valve in the supply line to the appliance.
2. Visually inspect the venting system for proper size, horizontal pitch, and vent termination, and determine there is no blockage or restriction, leakage, corrosion, or other deficiencies which could cause an unsafe condition.
3. Determine that the chimney or vent is acceptable to the authority having jurisdiction.
4. Shut off all gas to the appliance and shut off any other fuel-gas burning appliance within the same room. Use the shutoff valve in the supply line to each appliance.
5. Inspect burners and crossovers for blockage and corrosion.
6. Applicable only to furnaces – inspect heat exchanger for cracks, openings, or excessive corrosion.
7. Applicable only to boilers – inspect for evidence of water or combustion product leaks.
8. Insofar as is practical, close all building doors and windows and all doors between the space in which the appliance is located and other spaces of the building. Turn on clothes dryers, stove top barbecues, and central vacuum cleaners. Turn on any exhaust fans, such as range hoods and bathroom exhausts, so they will operate at maximum speed. Do not operate a summer exhaust fan. Close fireplace dampers. If, after completing Steps 9 through 14, it is believed sufficient combustion air is not available, refer to local codes, or in the absence of local codes, to the National Fuel Gas Code, ANSI Z223.1 or CAN/CGAB149 Installation Codes, for guidance.
9. Place in operation the appliance being inspected. Follow the lighting instructions. Adjust thermostat so appliance will operate continuously.
10. Determine that the pilot(s) is burning properly and that main burner ignition is satisfactory by interrupting and reestablishing the electrical supply to the appliance in any convenient manner. Test the pilot safety device to determine it is operating properly by extinguishing the pilot burner(s) when the main burner(s) is off and determining, after 3 minutes, that the main burner gas does not flow upon a call for heat.
11.
  - a. Visually determine that main burner gas is burning properly: i.e., no floating, lifting or flashback. Adjust the primary air shutter(s) as required.
  - b. If the appliance is equipped with high and low flame controlling or flame modulation, check for proper main burner operation at low flame.
12. Test for spillage at the draft hood relief opening after 5 minutes of main burner operation. Vent connected gas utilization equipment shall be operated for several minutes and checked to see that the combustion products are going up the chimney, or gas vent, properly by passing a lighted match, taper or candle round the edge of the relief opening of the draft hood. If the chimney or gas vent is drawing properly, the match flame will be drawn into the draft hood. If not, the combustion products will tend to extinguish the flame. If the combustion products are escaping from the relief opening of the draft hood, the equipment should not be operated until proper adjustments or repairs are made to provide adequate draft through the chimney or gas vent.
13. Turn on all other fuel-burning appliances within the same room so they will operate at their full inputs. Follow lighting instructions for each appliance.
14. Repeat Steps 11 and 12 on the appliance being inspected.
15. Return doors, windows, exhaust fans, fireplace dampers, and any other fuel-gas burning appliances to their previous conditions of use.
16. Applicable only to furnaces – Check both the limit control and the fan control for proper operation. Limit control operation can be checked by blocking the circulating air inlet or temporarily disconnecting the electrical supply to the blower motor and determining that the limit control acts to shut off the main burner gas.
17. Applicable only to boilers –
  - a. Determine that the water pumps are in operating condition.
  - b. Test low water cutoffs, automatic feed controls, and relief valves in accordance with the manufacturer's recommendations to determine they are in operating condition.

## HOW TO INSTALL AN ADDITIONAL GAS VALVE

Determine if the appliance has a redundant gas valve. If it has a redundant gas valve, proceed to install the damper assembly.

**WARNING:** If the appliance does not have a redundant gas valve, an additional gas valve or a redundant gas valve must be installed.

1. Shut off the gas and electricity to the gas burner (use the manual shut off valve in the supply line to the appliance).
2. Locate a position in the supply line between the appliance automatic gas valve and the burner.
3. Both gas valves must terminate the main gas supply to the burner(s). Both gas valves must be piped in series and wired in parallel. (See Diagram A)
4. Install an approved, appropriately sized single function automatic gas valve in this location downstream of the existing automatic gas valve. (Follow the gas valve manufacturer's instructions for flow directions and position.)
5. Restore gas line supply, conduct a leak test on the gas piping and control system downstream of the appliance shut off valve.
6. A typical standing pilot hookup with an added gas valve is shown in Diagram A. Terminals one, two, and three must be the same polarity. Failure to obtain correct polarity may damage the damper motor assembly. To set the room thermostat heat anticipator, add an additional 0.10 amps to the specified or measured control circuit amps.
7. For best results we suggest measuring the current across the thermostat with a meter. Set the heat anticipator according to the reading plus 0.10 amps.

**NOTE:** The damper must be open and the burner(s) operating to obtain an accurate reading.

### INSTALLATION OF THE PILOT VENT PLUG

**CAUTION:** The pilot vent plug is to be installed only on intermittent or direct ignition systems. Do not install the pilot vent plug on standing pilot systems. Failure to follow these instructions can cause odor problems and minor property damage due to moisture.

1. To avoid motor assembly damage, be careful not to turn the damper gate manually while installing the pilot vent plug.
2. The pilot vent plug is located on the front cover of this installation manual.
3. Insert pilot vent plug into gate and fold over tabs. (See Figure 2)

### INSTALLATION OF THE UNIT

**WARNING:** Install the automatic vent damper to service only the single appliance for which it is intended. (See Figure 4) If improperly installed a hazardous condition, such as an explosion or carbon monoxide poisoning, could result.

**WARNING:** To be used only with an appliance bearing a marking showing the make and model of the device. Required for installations in Canada.

**CAUTION:** Horizontal and Vertical Applications

#### VERTICAL

The vent damper is not position sensitive. You may mount the vent damper in any position. A minimum of 6" between the device and combustible construction shall be maintained.

#### HORIZONTAL

To avoid premature failure of the vent damper refer to Figure 3. Avoid mounting the damper directly above or below the vent pipe. We suggest 1:00 to 5:00 or 7:00 to 11:00 o'clock positions. A minimum of 6" between the device and combustible construction shall be maintained.

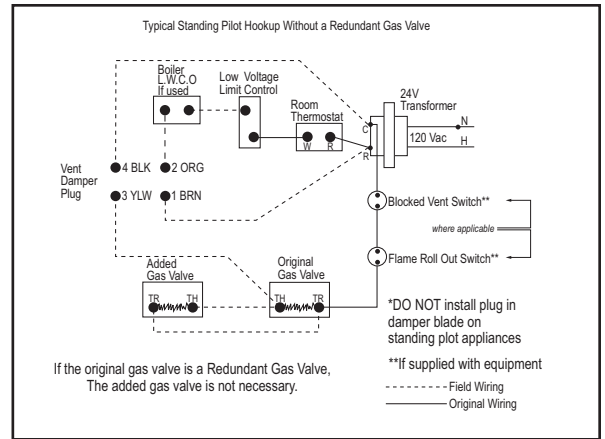


Diagram A: Note: Terminals 1, 2 and 3 must be the same polarity. Add 0.10 amps to the specified or measured heat anticipator setting.

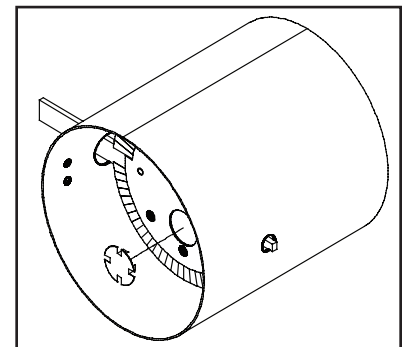


Figure 2

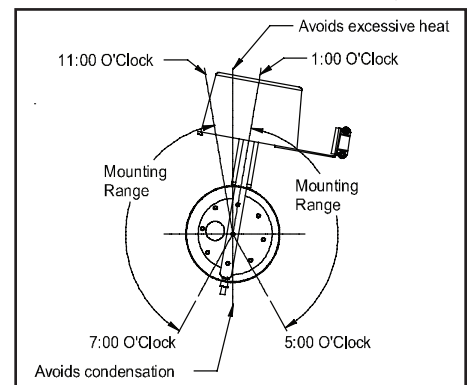


Figure 3

1. Install the vent damper device after the appliance draft hood, as close to the draft hood as practical, and without modification of either the draft hood or the vent damper device.
2. Locate a position in the vent pipe connector between the draft hood and chimney for the damper device. (See Figure 4)
3. A minimum clearance of 6" between the device and combustible construction must be maintained and there must be provisions for access and service of the damper device.
4. The vent damper device shall be connected to a chimney or vent complying with a recognized standard, or a masonry or concrete chimney lined with a lining material acceptable to the enforcing authority.
5. Remove the appropriate section of vent pipe connector and reinstall the shorter vent pipe connector and vent damper.
6. The directional arrow and crimped end of the vent damper must point toward the chimney. The motor assembly must be assessable for wiring and the damper position indicator visible.
7. Secure the vent damper to the vent pipe. Use 1/2" sheet metal screws or pop rivets. The spacing should be equally distributed 120° apart around the circumference. Three fasteners shall be used at the inlet and outlet of the pipe assembly.
8. Be careful not to allow the fasteners to obstruct the damper gate.
9. It may be necessary to provide a suitable hanger to support the vent damper independent of the venting system.
10. Check to see the vent damper service switch is in the automatic position.
11. Check to see the flat shaft is fitted into the motorized assembly.

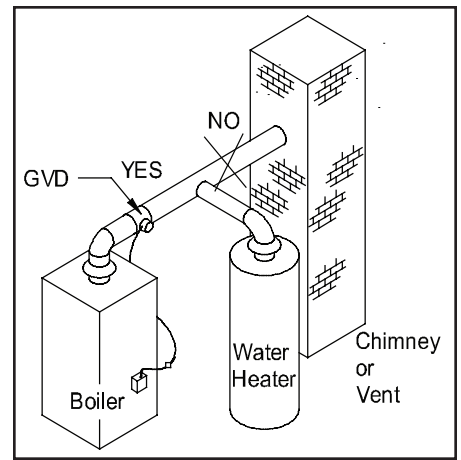


Figure 4

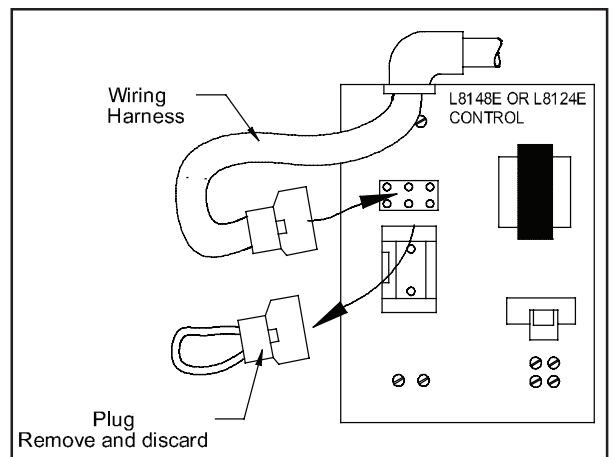


Figure 5

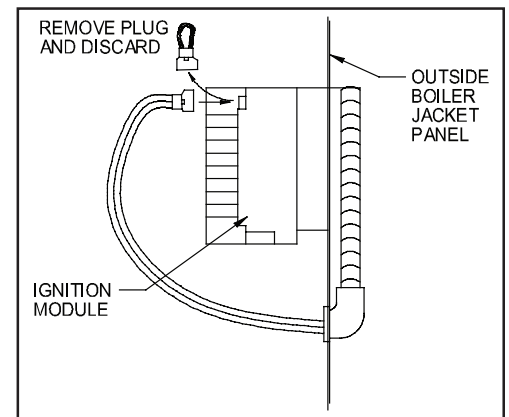


Figure 6

#### APPLIANCE WIRING

1. To locate the vent damper wire harness (if supplied) receptacle on the appliance, refer to the appliance manufacturer instruction manual and follow accordingly. (See Figures 5, 6, and 7)
2. The wire harness shall be securely fastened through the conduit bracket, located on the vent damper motor assembly.
3. The GVD series vent damper must be electrically connected with appliance burner control circuit.
4. Be careful not to allow the wire harness to come in contact with hot surfaces. Stand off brackets may be required to prevent with hot surfaces.

NOTE: Plug in control circuits may contain internal fuses. A vent damper connected to an appliance with a fused control circuit will not allow the burner to operate unless the vent damper is connected.

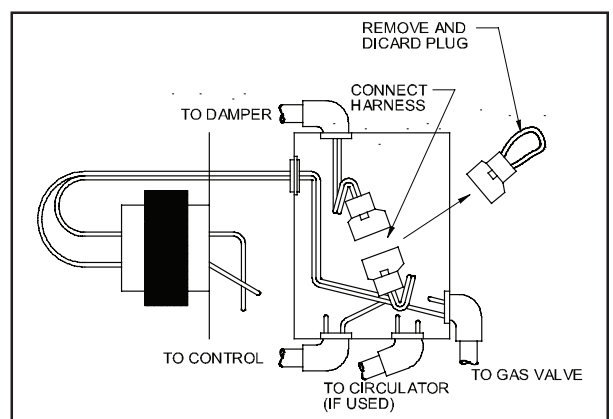


Figure 7

## INSTALLATION ON EXISTING APPLIANCES

This procedure is intended as a guide to aid in safely installing an electrically operated automatic vent damper device on an existing appliance so that the modified appliance will continue to operate safely and satisfactorily. This procedure is based on the assumption that the history of the specific appliance has been one of safe and satisfactory operation.

This procedure is predicated on central furnace, boiler, and water heater installations, and it should be recognized that generalized procedures cannot anticipate all situations. Accordingly, in some cases, deviation from this procedure may be necessary to determine safe operation of the equipment.

The following steps are to be followed in making the modifications:

1. Perform a safety inspection of the existing appliance installation. See PRE-INSTALLATION INSPECTIONS section for the recommended procedure for such a safety inspection.
2. Shut off all gas and electricity to the appliance. To shut off gas use the shutoff valve in the supply line to the appliance.
3. Install the automatic vent damper device in strict accordance with the manufacturer's installation instructions. Make certain the device is not located in that portion of the venting system which serves any appliance other than the one for which the damper is installed.
4. Make certain wiring connections are tight and wires are positioned and secured so they will not be able to contact high temperature locations.
5. When an additional automatic valve has been incorporated, or an existing gas control replaced, conduct a gas leakage test of the appliance piping and control system downstream of the shutoff valve in the supply line to the appliance.
6. Visually inspect the modified venting system for proper horizontal pitch.
7. Check that the damper and gas valve(s) are in the correct operating sequence.
  - a. The damper must be in the full open position before the gas valve(s) opens.
  - b. The damper must remain in the full open position while the gas valve(s) is open.
  - c. The gas valve(s) must be closed before the damper begins its return to the closed position.
  - d. The damper shall remain in the closed position during the off cycle of the appliance.
8. Determine the amperage draw of the gas control circuit and damper device.
  - a. Check the appliance transformer for adequate capacity.
  - b. Check heat anticipator in comfort thermostat to determine it is properly adjusted.
9. Do not install a damper device unless sufficient combustion and ventilation air is available. This can be determined by demonstrating satisfactory operation of the appliance as described in steps 10 through 14. Sequence the appliance through at least three normal operating cycles.
10. Insofar as it is practical, close all building doors and windows and all doors between the space in which the appliance is located and other spaces of the building, except in a room where an exhaust fan is located. Turn on clothes dryers, stove top barbecues, and central vacuum cleaners. Turn on any exhaust fans, such as range hoods and bathroom exhausts, so they will operate at maximum speed. Do not operate a summer exhaust fan. Close fireplace dampers.
11. Place appliance in operation. Follow the lighting instructions. Adjust thermostat so appliance will operate continuously.
12. Test for spillage at the draft hood relief opening after 5 minutes of main burner operation.
  - a. Vent connected gas utilization equipment shall be operated for several minutes and checked to see that the combustion products are going up the chimney, or gas vent, properly by passing a lighted match, taper or candle around the edge of the relief opening of the draft hood. If the chimney or gas vent is drawing properly, the match flame will be drawn into the draft hood. If not, the combustion products will tend to extinguish the flame. If the combustion products are escaping from the relief opening of the draft hood, the equipment should not be operated until proper adjustments or repairs are made to provide adequate draft through the chimney or gas vent.
13.
  - a. Visually determine that main burner gas is burning properly: i.e., no floating, lifting, or flashback. Adjust the primary air shutter(s) as required.
  - b. If the appliance is equipped with high and low flame controlling or flame modulation, check for proper main burner operation at low flame.

14. Determine that the pilot(s) is burning properly and that main burner ignition is satisfactory by interrupting and re-establishing the electrical supply to the appliance in any convenient manner. Test the pilot safety device to determine it is operating properly by extinguishing the pilot burner(s) when the main burner(s) is off and determining, after 3 minutes, that the main burner gas does not flow upon a call for heat.
15. Applicable only to furnaces – Check both the limit control and the fan control for proper operation. Limit control operation can be checked by blocking the circulating air inlet or temporarily disconnecting the electrical supply to the blower motor and determining that the limit control acts to shut off the main burner gas.
16. Applicable only to boilers –
  - a. Determine that the water pumps are in operating condition.
  - b. Test low water cutoffs, automatic feed controls, pressure, and temperature limit controls and relief valves in accordance with the manufacturer’s recommendations to determine they are in operating condition.
17. Complete the device label:
  - a. Name of qualified agency responsible for damper installation.

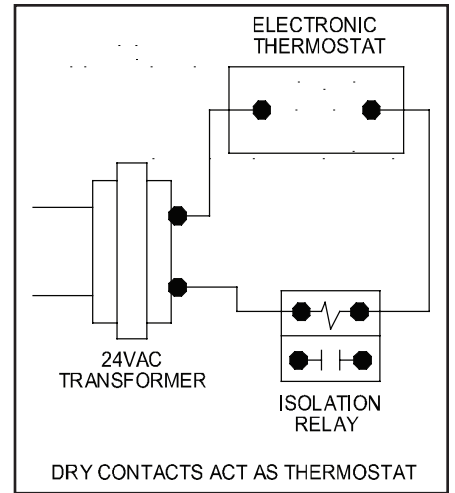


Figure 8

**WIRING**

All electrical work and materials used in the vent damper installation shall be in accordance with local electrical codes. In the absence of codes, consult the National Electrical Code. To avoid damage to the room thermostat heat anticipator, turn off the electrical power supply to the appliance before proceeding with the wiring.

**CAUTION: Electronic Thermostats:**

Problems can occur with the use of some electronic thermostats. Some electronic thermostats rob power through the thermostat circuit to maintain the thermostat programming. For these types of installations an isolation relay is recommended. This will eliminate possible erratic cycling of the damper, the thermostat, or the appliance controls. Another option is to install a non-power stealing type of thermostat. (See Figure 8)

**PROBLEM/SOLUTION GUIDE**

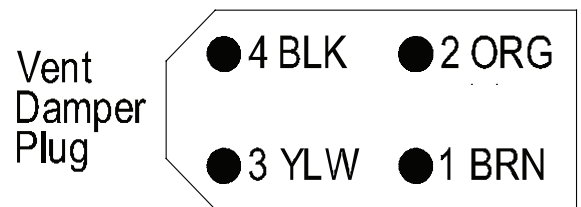
**CAUTION:** When servicing controls, all wires must be labeled prior to disconnection. Wiring errors can cause improper and dangerous operation. Do not turn damper open manually or motor damage will result and void the Warranty, use the service switch.

**DO NOT CUT PLUG OFF OF DAMPER MOTOR ASSEMBLY OR WARRANTY WILL BE VOID.**

**⚠ WARNING:** Do not negate the action of any existing safety or operational controls

**NORMAL SEQUENCE OF OPERATION**


24 VAC POWER	POWER ON	DAMPER POSITION
4&1	All Times	Open or Closed
4&2	Calling for Heat	Open or Opening
4&3	During Combustion	Damper Open





## TROUBLE SHOOTING

PROBLEM	POSSIBLE CAUSE	RECOMMENDED SOLUTION
NO POWER Between 4&1	<ol style="list-style-type: none"> <li>1. Off on limit (120VAC)</li> <li>2. Bad transformer</li> <li>3. Loose or broken connections</li> <li>4. Blown fuse or circuit breaker</li> <li>5. Disconnect switch off</li> <li>6. Harness not plugged into receptacle</li> </ol>	<ol style="list-style-type: none"> <li>1. Turn limit on</li> <li>2. Replace transformer</li> <li>3. Tighten, repair, or replace connection</li> <li>4. Replace fuse or reset circuit breaker</li> <li>5. Turn switch on</li> <li>6. Plug harness in</li> </ol>
NO POWER Between 4&2 POWER Between 4&1 When Calling For Heat	<ol style="list-style-type: none"> <li>1. Thermostat not calling for heat</li> <li>2. Burned out heat anticipator</li> <li>3. Loose or broken connections</li> <li>4. Off/On operating limit, pressure control or low water cut off</li> <li>5. Off/On blocked vent switch or flame roll out</li> </ol>	<ol style="list-style-type: none"> <li>1. Turn thermostat up to call for heat</li> <li>2. Replace thermostat</li> <li>3. Tighten, repair, or replace connection</li> <li>4. Turn operating limit, pressure control, or lower water cut off on</li> <li>5. Reset or replace switch</li> </ol>
POWER Between 4&1 Between 4&2 DAMPER OPEN	<ol style="list-style-type: none"> <li>1. Loose or broken connection</li> <li>2. Defective damper motor</li> </ol>	<ol style="list-style-type: none"> <li>1. Tighten, repair, or replace connection</li> <li>2. Replace damper motor assembly</li> </ol>

 **WARNING:** For trouble shooting only. Make sure damper is in the open position. Use the service switch to keep the damper in the open position. Place a jumper between 2 & 3. If the appliance fires, remove jumper & plug receptacle back into damper controller plug. If appliance does not fire, replace damper motor assembly. Do not replace the pipe assembly.

If a damper motor assembly is not available, place the service switch in the hold open position. This should keep the damper in the open position and allow the customer to have automatic heat. Return or replace the motor assembly at your convenience. The motor assembly carries an 18 month limited commercial warranty from the original date of purchase. (Refer to form #4294 on website) Pipe assembly will not be warranted.

### FOR TROUBLE-SHOOTING WITH A JUMPER WIRE IN PLACE

PROBLEM	POSSIBLE CAUSE	RECOMMENDED SOLUTION
POWER ON Between 4&1 Between 4&2 Between 4&3 DAMPER OPEN NO COMBUSTION	<ol style="list-style-type: none"> <li>1. Is gas turned on</li> <li>2. Operating limit, pressure control, or low water cut off not on</li> <li>3. Blocked vent switch or flame roll out switch tripped</li> <li>4. Loose or broken connection</li> <li>5. Defective component in appliance after the vent damper</li> </ol>	<ol style="list-style-type: none"> <li>1. Make sure gas is on</li> <li>2. Make sure operating limit, pressure control or low water cut off is on</li> <li>3. Reset or replace blocked vent switch or flame roll out switch</li> <li>4. Tighten, repair, or replace connection</li> <li>5. Replace defective component in appliance</li> </ol>
Damper Sticks	<ol style="list-style-type: none"> <li>1. Something obstructing damper blade</li> <li>2. Damper pipe egg shaped Out of round/binding</li> <li>3. Crimped end of vent pipe inserted in too far</li> </ol>	<ol style="list-style-type: none"> <li>1. Turn thermostat up to call for heat.</li> <li>2. Replace thermostat.</li> <li>3. Tighten, repair or replace connection.</li> <li>4. Turn operating limit, pressure control or lower water cut off on.</li> <li>5. Reset or replace switch.</li> </ol>
Damper Rotates Continuously	<ol style="list-style-type: none"> <li>1. Defective damper motor assembly</li> </ol>	<ol style="list-style-type: none"> <li>1. Replace damper motor assembly</li> </ol>

\*If all steps have been tried and the vent damper problems persist, call our technical support at 1-800-742-8368.

**IMPORTANT:** Damper must be OPEN before combustion can take place.

# REGISTRE D'ÉVENT À GAZ

## Modèles : GVD-4 à 12

Field Controls a mis au point les registres d'évent à gaz de série GVD afin de réduire les pertes de chaleur par le conduit d'évacuation de la chaudière et du coupe-tirage pendant les cycles d'arrêt. Lorsque la chaudière est en mode d'attente, la chaleur provenant de la chaudière et de l'espace d'air conditionné s'échappe par la cheminée. L'installation d'un registre d'évent à gaz permet de réduire considérablement ces pertes. Le registre s'installe entre le conduit d'évacuation ou la cheminée, le plus près possible du coupe-tirage. Installé dans les règles de l'art, le registre s'ouvre avant l'allumage du brûleur et se referme après l'extinction de celui-ci. Les circuits électriques du registre sont conçus de manière à ne pas neutraliser les réglages du limiteur et les réglages de sécurité de la chaudière.

### OPÉRATION

Lorsque la chaudière reçoit un appel de chauffage, le clapet du registre s'ouvre avant la mise sous tension du circuit du brûleur. Si le clapet ne s'ouvre pas, le circuit de commande du brûleur n'est pas mis sous tension. Installés convenablement, les circuits électriques du registre sont conçus pour ne pas neutraliser les réglages du limiteur et les réglages de sécurité de l'appareil.

AVERTISSEMENT – Avant d'installer le registre :

1. Lire attentivement la présente notice.
2. Se conformer aux procédures et effectuer les inspections de sécurité recommandées dans cette notice.
3. Ne pas neutraliser le fonctionnement des commandes de sécurité ou de marche de l'appareil.
4. Ne pas effectuer de mise à niveau du registre au Canada.

### CONSIGNES À L'UTILISATEUR

Il convient de faire vérifier l'appareil de chauffage et le registre tous les ans par un entrepreneur qualifié afin d'assurer leur bon fonctionnement. Il est recommandé au propriétaire de faire effectuer une inspection annuelle du système d'évacuation des gaz et du registre afin de s'assurer qu'ils ne présentent pas de signes de détérioration attribuables à la corrosion ou à d'autres facteurs. Cette inspection devrait être effectuée avant et pendant chaque saison de chauffage.

### ATTENTION

N'installer le bouchon du clapet que si l'appareil de chauffage est équipé d'un système d'allumage intermittent ou direct, afin de ne pas causer de nuisances dues aux odeurs et d'avaries mineures attribuables à l'humidité. Ne pas l'installer dans les installations à pilote permanent.

### GÉNÉRALITÉS

#### DIMENSIONS

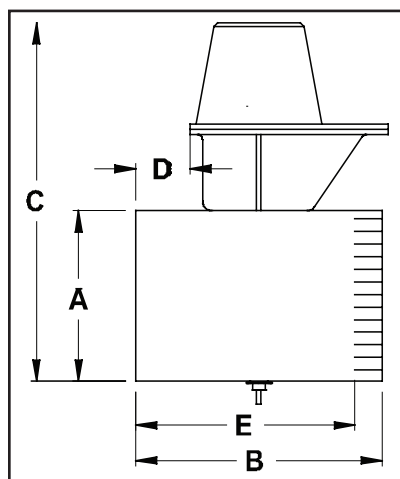


Schéma 1

Dim 'A' Diamètre	Dim 'B' Longueur (pouces)	Dim 'C' Hauteur totale (pouces)	Dim 'D' (pouces)	Dim 'E' (pouces)	Poids (lb)
4	6	9 <sup>5</sup> / <sub>8</sub>	1 <sup>5</sup> / <sub>16</sub>	5	2.50
5	6	10 <sup>5</sup> / <sub>8</sub>	1 <sup>5</sup> / <sub>16</sub>	5	2.70
6	6 <sup>1</sup> / <sub>2</sub>	11 <sup>5</sup> / <sub>8</sub>	1 <sup>7</sup> / <sub>8</sub>	5 <sup>1</sup> / <sub>2</sub>	3.10
7	7 <sup>1</sup> / <sub>16</sub>	12 <sup>5</sup> / <sub>8</sub>	1 <sup>3</sup> / <sub>8</sub>	6 <sup>1</sup> / <sub>16</sub>	3.55
8	8 <sup>1</sup> / <sub>16</sub>	13 <sup>5</sup> / <sub>8</sub>	1 <sup>7</sup> / <sub>8</sub>	7 <sup>1</sup> / <sub>16</sub>	4.40
9	10 <sup>1</sup> / <sub>8</sub>	14 <sup>5</sup> / <sub>8</sub>	2 <sup>7</sup> / <sub>8</sub>	9 <sup>1</sup> / <sub>8</sub>	6.27
10	12 <sup>1</sup> / <sub>8</sub>	15 <sup>5</sup> / <sub>8</sub>	3 <sup>7</sup> / <sub>8</sub>	11 <sup>1</sup> / <sub>8</sub>	6.95
12	12 <sup>1</sup> / <sub>8</sub>	17 <sup>5</sup> / <sub>8</sub>	3 <sup>7</sup> / <sub>8</sub>	11 <sup>1</sup> / <sub>8</sub>	8.75

## INSTALLATION ÉLECTRIQUE

Exigences minimales - Filage	24 V c.a., calibre 18, 105C
Résistance anticipatrice du thermostat	Ajouter 0, 1 A à l'intensité spécifiée ou mesurée du circuit de commande
Appel de courant	3 W à 24 V c.a. à l'ouverture ou la fermeture du clapet
Temporisation	15 sec, mode d'ouverture 15 sec, mode de fermeture

## CARACTÉRISTIQUES

1. Interrupteur de branchement – Maintient le clapet du registre ouvert tout en autorisant le fonctionnement de l'appareil de chauffage.
2. Garantie limitée de dix-huit mois sur le groupe moteur à compter de la date d'installation.
3. Deux interrupteurs de sécurité internes.
4. Modes d'ouverture et fermeture motorisées prolongeant la durée de vie du produit. Consommation électrique réduite.
5. Alimentation 24 V c.a. autorisant l'emploi de filage simple et peu coûteux. Câble enfichable optionnel.
6. Joint autonettoyant Flex Seal.
7. Tuyau en acier inoxydable.

## INSTRUCTIONS DE DÉBALLAGE

1. Le registre d'évent à gaz Field Controls de série GVD est livré dans une seule caisse en carton contenant le registre assemblé, la notice technique et un bouchon.  
NOTA: Certains appareils vendus par des constructeurs OEM sont livrés avec un câble d'alimentation.
2. Vérifier si l'appareil présente des signes d'avarie avant l'installation.
3. Les appareils mis à niveau nécessitent un câble d'alimentation. Commander pour cela le câble universel no 46390008.

## CONSIGNES PRÉALABLES À L'INSTALLATION

1. Le registre automatique Field Controls doit être installé par un entrepreneur qualifié conformément aux directives du fabricant. On entend par entrepreneur qualifié une personne, une firme ou une entreprise qui effectue elle-même ou par l'intermédiaire d'un représentant l'installation d'appareils de chauffage à gaz et de dispositifs de régulation automatique de débit de gaz, veille à leur bon fonctionnement, est responsable de leur installation et de leur fonctionnement, possède de l'expérience dans ce genre d'installation, connaît toutes les précautions applicables et répond à toutes les exigences des autorités compétentes en la matière. L'entrepreneur qualifié doit inscrire son nom, son adresse et la date de l'installation sur l'étiquette fixée au registre.
2. Éviter de neutraliser le fonctionnement des commandes de sécurité ou de marche de l'appareil.
3. Lorsque les commandes font l'objet de travaux d'entretien et de réparation, ÉTIQUETER tous les fils avant de les débrancher. Une erreur de branchement peut causer un fonctionnement incorrect ou dangereux de l'installation.
4. Le registre doit être installé par un entrepreneur qualifié, conformément aux codes locaux en vigueur ou au National Fuel Gas Code (ANSI Z223.1 NFPA 54 ou CAN/CGA-B149) et au National Electric Code (ANSI C1-NFPA 70).
5. Ce dispositif obéit à la norme ANSI Z21.66 et est approuvé par la CSA.
6. N'utiliser le registre qu'avec un appareil au gaz homologué et équipé d'un contre-tirage dont l'aire d'évacuation n'est pas supérieure à l'aire d'admission du registre.
7. Installer le registre après le contre-tirage, aussi près que possible de celui-ci, sans le modifier ni modifier le registre.
8. Installer le registre dans le système d'évacuation ou une section du système de manière qu'il desserve uniquement l'appareil auquel il est destiné.
9. Prévoir un dégagement minimum de 6 pouces (153 mm) entre le registre et toute construction combustible, de même qu'un espace suffisant pour accéder au registre et y effectuer des travaux d'entretien et de réparation.

10. L'utilisateur doit avoir accès à l'indicateur de position et à l'interrupteur de branchement.
11. L'installateur doit remplir l'étiquette située sur le capot du moteur.
12. Ce registre ne doit être installé que sur un appareil au gaz homologué, raccordé à une cheminée ou un conduit d'évacuation préfabriqués obéissant à une norme reconnue, ou à une cheminée de maçonnerie ou de béton dont le revêtement interne est approuvé par les autorités compétentes.
13. Il ne doit pas être installé sur un appareil doté d'un robinet automatique à commande manuelle, à moins que la commande manuelle n'ait été rendue inopérante ou que le robinet automatique n'ait été remplacé par un robinet automatique redondant sans commande manuelle.

## INSPECTIONS PRÉALABLES À L'INSTALLATION

### INSPECTION DE SÉCURITÉ D'UN APPAREIL EXISTANT

La procédure d'inspection suivante vise à permettre de déterminer si un appareil est correctement installé et si son fonctionnement est sûr. Cette procédure porte sur les installations centrales à générateur de chaleur, à chaudière et à chauffe-eau. Il importe de tenir compte du fait qu'aucune procédure générale ne peut prévoir toutes les situations. Aussi pourra-t-il s'avérer nécessaire, en certaines circonstances, d'y déroger afin de déterminer si un appareil particulier présente un fonctionnement sûr.

1. La présente procédure doit être exécutée avant l'installation du registre automatique.
2. Si l'inspection révèle une situation susceptible de nuire au bon fonctionnement de l'appareil de chauffage, celui-ci doit être mis hors fonction et son propriétaire averti de la condition dangereuse. Le registre ne doit pas être installé tant que la situation n'a pas été corrigée.

### Inspection de sécurité

1. Effectuer un test de repérage de fuite de gaz sur la tuyauterie et le système de régulation de l'appareil en aval du robinet d'arrêt du tuyau d'alimentation de l'appareil de chauffage.
2. Faire une inspection visuelle du système d'évacuation afin de vérifier si les dimensions et la pente horizontale du système ainsi que l'extrémité d'évacuation à l'air libre sont appropriés et s'assurer qu'il n'y a aucune obstruction partielle ou complète, aucun signe de fuite ou de corrosion ni aucune autre déficience susceptible de dégénérer en condition dangereuse.
3. S'assurer que la cheminée ou le conduit d'évacuation sont conformes aux exigences des autorités compétentes.
4. Couper l'alimentation en gaz de l'appareil ainsi que tout autre appareil à gaz ou à combustible installé dans la même pièce. Fermer le robinet du tuyau d'alimentation de chaque appareil.
5. Vérifier si les brûleurs et les coudes de croisement présentent des signes d'obstruction ou de corrosion.
6. Consigne applicable uniquement aux générateurs de chaleur – Vérifier si l'échangeur de chaleur présente des fissures, des trous ou des signes de corrosion excessive.
7. Consigne applicable uniquement aux chaudières – Vérifier si la chaudière présente des signes de fuite d'eau ou de produits de combustion.
8. Dans la mesure du possible, fermer toutes les portes et les fenêtres de l'immeuble ainsi que les portes de la pièce dans laquelle se trouve l'appareil de chauffage. Mettre en marche sècheuses, hottes de dessus de cuisinière et aspirateurs, de même que tous les ventilateurs d'extraction tels que hottes de cuisine et ventilateurs de salle de bain et les régler à plein régime. Éviter toutefois d'utiliser des ventilateurs servant à chasser la chaleur l'été. Fermer les registres des foyers. Après avoir exécuté les étapes 9 à 14, si l'on estime qu'il n'y pas un apport suffisant d'air de combustion, consulter les codes locaux ou, en l'absence de tels codes, le National Fuel Gas Code ou les codes ANSI Z223.1 ou CAN/CGAB149.
9. Mettre en marche l'appareil faisant l'objet de l'inspection, suivre les instructions d'allumage et régler le thermostat pour que l'appareil fonctionne sans arrêt.
10. S'assurer que le pilote fonctionne correctement et que le brûleur s'allume convenablement en coupant et en rétablissant l'alimentation électrique de l'appareil d'une manière appropriée. Vérifier le bon fonctionnement du dispositif de sûreté du pilote en éteignant celui-ci pendant que le brûleur principal est éteint et en vérifiant, après avoir laissé s'écouler 3 minutes, s'il y a arrivée de gaz consécutive à un appel de chauffage au brûleur principal.
  - a. S'assurer que le gaz brûle correctement au brûleur, c'est-à-dire sans flottement, soulèvement ni retour de flamme. Régler l'obturateur d'air au besoin.
  - b. Si l'appareil est équipé d'un dispositif de régulation de flamme haute et basse ou d'un dispositif de modulation de flamme, vérifier si le brûleur fonctionne correctement en mode flamme basse.

11. Vérifier si des produits de combustion s'échappent par l'ouverture d'échappement du contre-tirage après avoir laissé fonctionner le brûleur principal pendant 5 minutes. Dans le cas des appareils à gaz raccordés à un conduit d'évacuation, on doit les laisser fonctionner pendant quelques minutes, puis vérifier si les produits de combustion s'échappent convenablement par la cheminée ou le conduit d'évacuation en passant une allumette, une mèche ou une bougie allumée sur le pourtour de l'ouverture d'échappement du contre-tirage. Le tirage de la cheminée ou du conduit d'évacuation est satisfaisant si la flamme est aspirée dans le contre-tirage. Dans le cas contraire, les produits de combustion auront tendance à éteindre la flamme. Si des produits de combustion s'échappent par l'ouverture d'échappement du contre-tirage, l'appareil ne doit pas être mis en fonction tant que les réglages ou les réparations appropriés ne sont pas effectués, afin d'assurer un tirage approprié de la cheminée ou du conduit d'évacuation.
12. Mettre en marche tous les appareils à combustible se trouvant dans la même pièce, en suivant les instructions d'allumage de chacun, et les régler pour qu'ils fonctionnent à plein régime.
13. Répéter les étapes 11 et 12 sur l'appareil faisant l'objet de l'inspection.
14. Remettre les portes, fenêtres, ventilateurs d'extraction, registres de foyer et tous les autres appareils à combustible et à gaz en position initiale.
15. Consigne applicable uniquement aux générateurs de chaleur – Vérifier le fonctionnement du limiteur et de la commande du ventilateur. On peut vérifier le fonctionnement du limiteur en obturant la prise d'air de circulation ou en coupant provisoirement l'alimentation électrique du ventilateur et en vérifiant si le limiteur déclenche la coupure de l'alimentation du brûleur principal.
16. Consignes applicables uniquement aux chaudières -
  - a. Vérifier si les pompes à eau sont en état de marche.
  - b. Vérifier le bon fonctionnement des interrupteurs de bas niveau d'eau, des régulateurs d'alimentation automatiques et des soupapes de sûreté en les soumettant à des essais conformes aux recommandations des fabricants.

#### INSTALLATION D'UN ROBINET D'ADMISSION DE GAZ ADDITIONNEL

Vérifier si l'appareil est équipé d'un robinet de gaz redondant. Dans l'affirmative, procéder à l'installation du registre.

**AVERTISSEMENT** – Si l'appareil n'est pas équipé d'un robinet de gaz redondant, on doit y installer un robinet de gaz additionnel ou un robinet redondant.

1. Couper l'arrivée de gaz (au moyen du robinet à commande manuelle installé sur le tuyau d'alimentation de l'appareil) et l'alimentation électrique du brûleur.
2. Déterminer, sur le tuyau d'alimentation, un endroit approprié entre le robinet de gaz à commande automatique et le brûleur.
3. Les deux robinets de gaz doivent couper l'alimentation principale de gaz au brûleur. Tous deux doivent être branchés en série sur le tuyau et être raccordés en parallèle au circuit d'alimentation électrique (consulter le schéma de câblage).
4. Installer à l'endroit déterminé au point 2 (en aval du robinet existant) un robinet de gaz monovalent à commande automatique de format approprié. (Se conformer aux instructions du fabricant en ce qui a trait à la position et à la direction du débit de gaz.)
5. Rétablir l'alimentation en gaz et soumettre à un essai d'étanchéité le tuyau d'alimentation ainsi que le régulateur en aval du robinet d'arrêt de l'appareil.
6. Diagramme A présente le branchement typique d'un pilote avec un robinet de gaz additionnel. Les bornes 1, 2 et 3 doivent avoir la même polarité afin de ne pas risquer d'endommager le moteur du registre. Pour régler la résistance anticipatrice du thermostat de la pièce, ajouter 0,10 A à l'intensité spécifiée ou mesurée du circuit de régulation.
7. Pour obtenir des résultats optimaux, il est conseillé de mesurer le courant aux bornes du thermostat au moyen d'un dispositif de mesure approprié. Régler la résistance anticipatrice selon la lecture obtenue majorée de 0,10 A.

NOTA: Le registre doit être ouvert et le brûleur en fonction pour obtenir une lecture exacte.

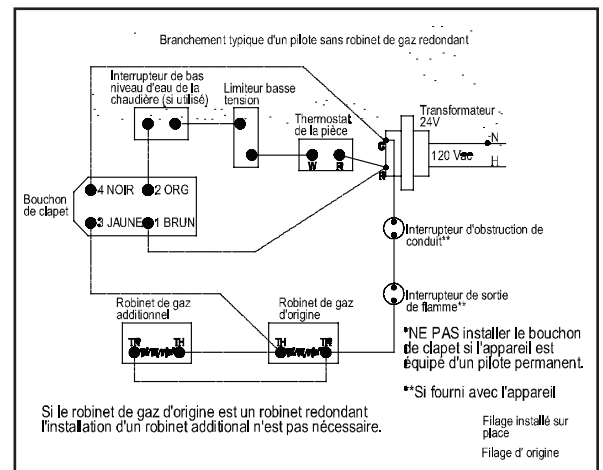


Diagramme A – La polarité doit être la même aux bornes 1, 2 et 3. Ajouter 0,10 A à l'intensité spécifiée ou mesurée de la résistance anticipatrice.

## INSTALLATION DU BOUCHON DU CLAPET

ATTENTION – N’installer le bouchon du clapet que si l’appareil est équipé d’un système d’allumage intermittent ou direct, afin de ne pas causer de nuisances dues aux odeurs et d’avaries mineures attribuables à l’humidité. Ne pas l’installer dans les installations à pilote permanent.

1. Afin de ne pas endommager le moteur, éviter de faire pivoter le clapet du registre à la main pendant l’installation du bouchon.
2. Le bouchon du clapet est fixé sur la page couverture de la présente notice.
3. Introduire le bouchon dans l’orifice correspondant du clapet et replier les languettes pour le fixer en place (Schéma 2).

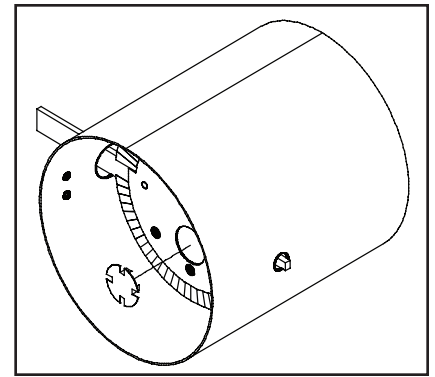


Schéma 2

## INSTALLATION DU REGISTRE

AVERTISSEMENT – Installer le registre automatique de manière qu’il ne desserve que l’appareil auquel il est destiné (Schéma 4). Une installation incorrecte pourrait créer des conditions dangereuses susceptibles de provoquer notamment une explosion ou un empoisonnement au monoxyde de carbone.

AVERTISSEMENT – Ce registre ne doit être installé que sur un appareil portant une mention de sa marque et de son modèle. Cette mention est obligatoire pour les installations au Canada.

ATTENTION: Installations à l’horizontale et à la verticale

### INSTALLATION VERTICALE

Ce registre peut être installé dans n’importe quelle position. Il importe toutefois de prévoir un dégagement de 6 pouces entre le registre et toute construction combustible.

### INSTALLATION HORIZONTALE

Consulter la figure 3 afin d’éviter une défaillance prématurée du registre. Ne pas installer le registre directement au-dessus ou en dessous du conduit d’évacuation. Il est conseillé de l’installer aux positions 1 h 00 à 5 h 00 ou 7 h 00 à 11 h 00. Il importe également de prévoir un dégagement de 6 pouces entre le registre et toute construction combustible.

1. Installer le registre après le coupe-tirage mais le plus près possible de celui-ci, sans toutefois modifier le registre ni le coupe-tirage.
2. Déterminer, entre le coupe-tirage et le conduit d’évacuation ou la cheminée, un endroit approprié pour l’installation du registre (Schéma 4).
3. Prévoir un dégagement minimum de 6 pouces entre le registre et toute construction combustible, de même qu’un espace suffisant pour accéder au registre et y effectuer des travaux d’entretien et de réparation.
4. Le registre doit être raccordé à une cheminée ou un conduit d’évacuation préfabriqués obéissant à une norme reconnue, ou à une cheminée de maçonnerie ou de béton dont le revêtement interne est approuvé par les autorités compétentes.
5. Enlever une section de longueur appropriée du tuyau de raccordement au conduit d’évacuation et rebrancher le tuyau de raccordement ainsi que le registre.
6. La flèche directionnelle et l’extrémité ondulée du registre doivent pointer dans la direction du conduit d’évacuation ou de la cheminée. Le câblage du moteur doit être accessible et l’indicateur de position bien visible.

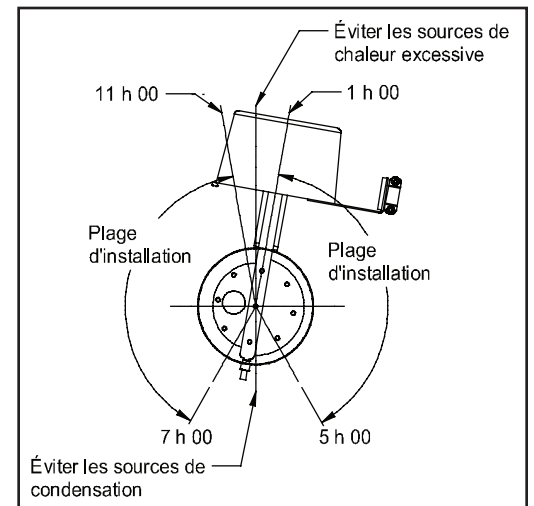


Schéma 3

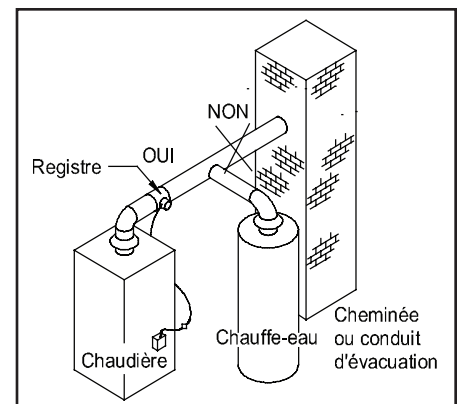


Schéma 4

7. Fixer le registre sur le tuyau de raccordement au moyen de vis à tôle de ½ po ou de rivets de sûreté espacés uniformément de 120° sur la circonférence. Fixer les deux extrémités (entrée et sortie) au moyen de trois vis ou rivets.
8. S'assurer que les dispositifs de fixation n'entravent pas le libre fonctionnement du clapet du registre.
9. Il faudra peut-être installer un collier de suspension pour assurer au registre un support indépendant du reste de l'installation.
10. S'assurer que l'interrupteur de branchement du registre est en mode automatique.
11. S'assurer que l'arbre plat du clapet est bien emboîté dans le moteur.

#### CÂBLAGE ÉLECTRIQUE DE L'APPAREIL DE CHAUFFAGE

1. Consulter la notice technique du fabricant de l'appareil de chauffage pour connaître l'emplacement de la prise sur laquelle doit être branché (s'il est fourni) le câble d'alimentation du registre. (Schémas 5, 6 et 7)
2. Le câble d'alimentation doit être solidement fixé dans la bague de conduit du moteur du registre.
3. Les registres de série GVD doivent être raccordés au circuit électrique de commande du brûleur.
4. S'assurer que le câble d'alimentation ne risque pas d'entrer en contact avec une surface chaude. À cet égard, il peut être nécessaire de fixer le câble au moyen d'étriers d'écartement.

NOTA: Les circuits de commande enfichables peuvent être dotés de fusibles internes. Un registre raccordé à un appareil possédant un tel circuit empêchera l'allumage du brûleur s'il n'est pas branché sur le circuit.

NOTA: Le fusible interne saute après le premier cycle complet.

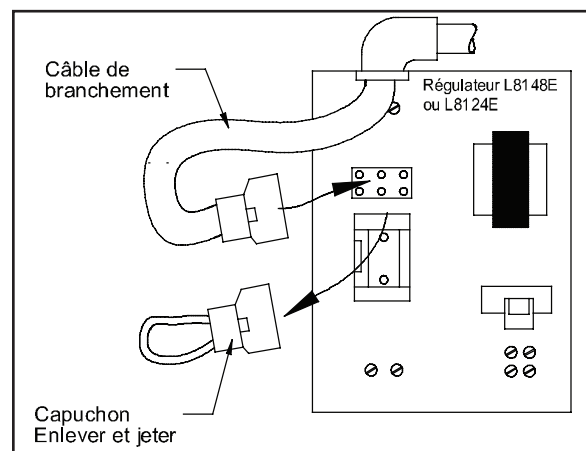


Schéma 5  
Aquastat typique

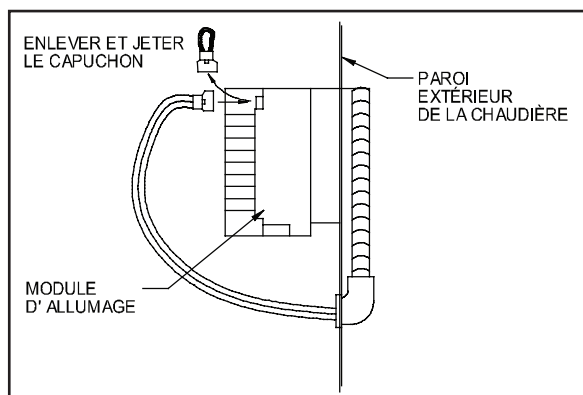


Schéma 6  
Branchement typique d'un système d'allumage électronique

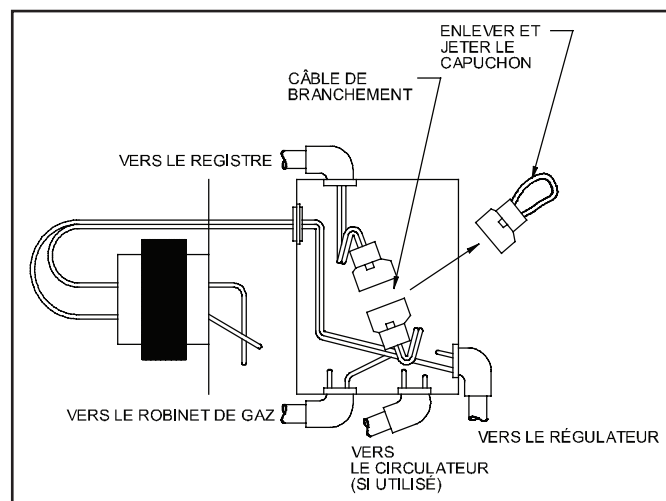


Schéma 7  
Branchement typique à une chaudière

#### INSTALLATION SUR UN APPAREIL DE CHAUFFAGE EXISTANT

La procédure suivante vise à assurer l'installation en toute sécurité d'un registre à commande électrique automatique sur un appareil de chauffage existant afin que celui-ci continue, après l'installation, d'offrir un fonctionnement sûr et satisfaisant. Cette procédure se fonde sur l'hypothèse que l'appareil en question a toujours offert un fonctionnement sûr et satisfaisant. Cette procédure porte sur les installations centrales à chaudière, à générateur de chaleur ou à chauffe-eau. Il importe de tenir compte du fait qu'aucune procédure générale ne peut prévoir toutes les situations. Aussi pourra-t-il s'avérer nécessaire, en certaines circonstances, de déroger à la présente procédure afin de déterminer si l'appareil présente un fonctionnement sûr.

La procédure suivante doit être observée pour effectuer les modifications.

1. Effectuer une inspection de sécurité de l'appareil en suivant la procédure décrite à la rubrique INSPECTIONS PRÉALABLES À L'INSTALLATION.
2. Couper l'arrivée de gaz (au moyen du robinet d'arrêt installé sur le tuyau d'alimentation de l'appareil) et l'alimentation électrique de l'appareil.
3. Installer le registre automatique en suivant à la lettre les directives du fabricant. Veiller à ne pas installer le registre dans une section du système d'évacuation qui dessert d'autres appareils que celui auquel il est destiné.
4. S'assurer que les raccordements électriques sont bien serrés et que les fils sont passés et fixés de manière à éviter tout contact avec des surfaces soumises à de fortes températures.
5. Si un robinet à commande automatique additionnel a été installé ou qu'un régulateur de gaz existant a été remplacé, effectuer un essai d'étanchéité sur le tuyau d'alimentation et sur le régulateur en aval du robinet d'arrêt de l'appareil.
6. S'assurer que le système d'évacuation modifié présente une pente horizontale appropriée.
7. Vérifier la séquence de fonctionnement du registre et des robinets de gaz.
  - a. Le registre doit être complètement ouvert avant l'ouverture des robinets de gaz.
  - b. Le registre doit demeurer complètement ouvert lorsque les robinets de gaz sont ouverts.
  - c. Les robinets de gaz doivent être fermés avant que le registre ne commence à revenir en position fermée.
  - d. Le registre doit demeurer en position fermée pendant le cycle d'arrêt de l'appareil de chauffage.
8. Calculer l'appel de courant (en ampères) du circuit de régulation de gaz et du registre.
  - a. Vérifier si le transformateur de l'appareil a une capacité suffisante.
  - b. Vérifier si la résistance anticipatrice du thermostat est correctement réglée.
9. Éviter d'installer le registre s'il n'y a pas un apport suffisant d'air de combustion et d'aération. On peut effectuer cette vérification en démontrant à trois reprises le fonctionnement satisfaisant de l'appareil, comme il est décrit aux étapes 10 à 14 ci-dessous. Soumettre l'appareil à au moins trois cycles de fonctionnement normaux.
10. Dans la mesure du possible, fermer toutes les portes et les fenêtres de l'immeuble ainsi que les portes de la pièce dans laquelle se trouve l'appareil et des autres pièces de l'immeuble, sauf celles où se trouvent des ventilateurs d'extraction. Mettre en fonction sècheuses, hottes de dessus de cuisinière et aspirateurs, de même que tous les ventilateurs d'extraction tels que hottes de cuisine et ventilateurs de salle de bain et les régler à plein régime. Éviter toutefois d'utiliser des ventilateurs servant à chasser la chaleur l'été. Fermer les registres des foyers.
11. Mettre l'appareil en marche en suivant les instructions d'allumage et régler le thermostat de manière que l'appareil fonctionne sans arrêt.
12. Vérifier si des produits de combustion s'échappent par l'ouverture d'échappement du contre-tirage après avoir laissé fonctionner le brûleur principal pendant 5 minutes.
  - a. Dans le cas des appareils à gaz raccordés à un conduit d'évacuation, on doit les laisser fonctionner pendant quelques minutes, puis vérifier si les produits de combustion s'échappent convenablement par la cheminée ou le conduit d'évacuation en passant une allumette, une mèche ou une bougie allumée sur le pourtour de l'ouverture d'échappement du contre-tirage. Le tirage de la cheminée ou du conduit d'évacuation est satisfaisant si la flamme est aspirée dans le contre-tirage. Dans le cas contraire, les produits de combustion auront tendance à éteindre la flamme. Si des produits de combustion s'échappent par l'ouverture d'échappement du contre-tirage, l'appareil ne doit pas être mis en fonction tant que les réglages ou les réparations appropriés ne sont pas effectués, afin d'assurer un tirage approprié de la cheminée ou du conduit d'évacuation.



- 13.
- a. S'assurer que le gaz brûle correctement au brûleur, c'est-à-dire sans flottement, soulèvement ni retour de flamme. Régler l'obturateur d'air au besoin.
  - b. Si l'appareil est équipé d'un dispositif de régulation de flamme haute et basse ou d'un dispositif de modulation de flamme, vérifier si le brûleur fonctionne correctement en mode flamme basse.
14. S'assurer que le pilote fonctionne correctement et que le brûleur s'allume convenablement en coupant et en rétablissant l'alimentation électrique de l'appareil d'une manière appropriée. Vérifier le bon fonctionnement du dispositif de sûreté du pilote en éteignant celui-ci pendant que le brûleur principal est éteint et en vérifiant, après avoir laissé s'écouler 3 minutes, s'il y a arrivée de gaz consécutive à un appel de chauffage au brûleur principal.
15. Consigne applicable uniquement aux générateurs de chaleur – Vérifier le fonctionnement du limiteur et de la commande du ventilateur. On peut vérifier le fonctionnement du limiteur en obturant la prise d'air de circulation ou en coupant provisoirement l'alimentation électrique du ventilateur et en vérifiant si le limiteur déclenche la coupure de l'alimentation du brûleur principal.
16. Consignes applicables uniquement aux chaudières –
- a. Vérifier si les pompes à eau sont en état de marche.
  - b. Vérifier le bon fonctionnement des interrupteurs de bas niveau d'eau, des régulateurs d'alimentation automatiques et des soupapes de sûreté en les soumettant à des essais conformes aux recommandations des fabricants.
17. Remplir l'étiquette fixée au registre
- a. Nom de l'entrepreneur qualifié responsable de l'installation du registre.
  - b. Date de l'installation.

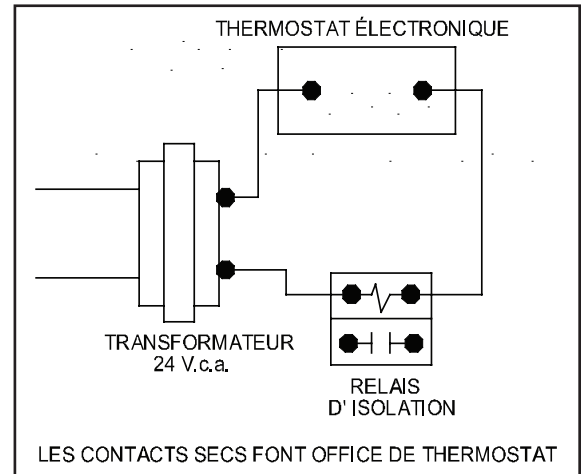


Schéma 8

### CÂBLAGE

Tous les accessoires électriques utilisés et les travaux de nature électrique réalisés dans le cadre de l'installation du registre doivent se conformer aux codes d'électricité locaux en vigueur. En l'absence de tels codes, consulter le National Electrical Code.

Afin d'éviter d'endommager la résistance anticipatrice du thermostat de la pièce, couper l'alimentation électrique de l'appareil avant de procéder au raccordement électrique du registre.

### ATTENTION – Thermostats électroniques

Des problèmes peuvent survenir avec certains thermostats électroniques. Certains en effet soutirent une certaine quantité de courant par le circuit du thermostat afin de maintenir leur programmation. Aussi est-il recommandé d'installer un relais d'isolation dans ce genre d'installation afin de prévenir le déclenchement de cycles irréguliers du registre, du thermostat ou des commandes de l'appareil. Une autre possibilité serait d'installer un modèle de thermostat qui ne peut soutirer de courant (Schéma 8).

## PROBLÈMES ET SOLUTIONS

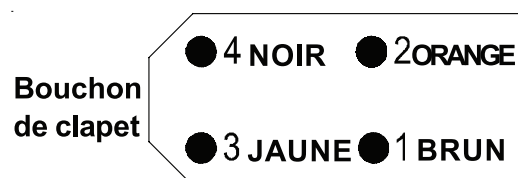
**ATTENTION** – Lorsque les commandes font l’objet de travaux d’entretien et de réparation, étiqueter tous les fils avant de les débrancher. Une erreur de branchement peut entraîner un fonctionnement incorrect ou dangereux. Ne tournez pas l’amortisseur ouvert manuellement ou les dommages de moteur résulteront et vider la garantie, utilisez le commutateur de service.

**NE PAS COUPER LA FICHE DU MOTEUR DU REGISTRE AFIN DE NE PAS ANNULER LA GARANTIE.**

**AVERTISSEMENT** – Ne pas neutraliser le fonctionnement des commandes de sécurité ou de marche de l’appareil.

### ORDRE NORMAL DE FONCTIONNEMENT

Alimentation 24 V c.a.	Sous tension	Position du registre
4 et 1	En permanence	Ouvert ou fermé
4 et 2	Appel de chauffage	Ouvert ou en cours
4 et 3	Pendant la combustion	Ouvert



PROBLEME	POSSIBLE CAUSE	RECOMMENDED SOLUTION
ABSENCE DE COURANT entre les bornes 4 et 1	<ol style="list-style-type: none"> <li>1. Limiteur hors fonction (120 V c.a.)</li> <li>2. Transformateur défectueux.</li> <li>3. Connexion desserrée ou coupée.</li> <li>4. Fusible grillé ou disjoncteur déclenche.</li> <li>5. Sectionneur hors fonction.</li> <li>6. Câble non branché dans la prise de l'appareil de chauffage.</li> </ol>	<ol style="list-style-type: none"> <li>1. Mettre le limiteur en fonction.</li> <li>2. Remplacer le transformateur.</li> <li>3. Resserrer, réparer ou remplacer la connexion.</li> <li>4. Remplacer le fusible ou réenclencher le disjoncteur.</li> <li>5. Mettre le sectionneur en fonction.</li> <li>6. Brancher le câble.</li> </ol>
ABSENCE DE COURANT entre les bornes 4 et 2 PRÉSENCE DE COURANT entre les bornes 4 et 1 lors d'un appel de chauffage	<ol style="list-style-type: none"> <li>1. Pas d'appel de chauffage au thermostat.</li> <li>2. Résistance anticipatrice grillée.</li> <li>3. Connexion desserrée ou coupée.</li> <li>4. Limiteur, régulateur de pression ou interrupteur de bas niveau d'eau hors fonction.</li> <li>5. Déclenchement de l'interrupteur d'obstruction de conduit ou de sortie de flamme.</li> </ol>	<ol style="list-style-type: none"> <li>1. Relever le réglage du thermostat jusqu'au seuil d'appel de chauffage.</li> <li>2. Remplacer le thermostat.</li> <li>3. Resserrer, réparer ou remplacer la connexion.</li> <li>4. Mettre le limiteur, le régulateur ou l'interrupteur en fonction.</li> <li>5. Réarmer ou remplacer l'interrupteur.</li> </ol>
PRÉSENCE DE COURANT entre les bornes 4 et 1 entre les bornes 4 et 2 REGISTRE OUVERT	<ol style="list-style-type: none"> <li>1. Connexion desserrée ou rompue.</li> <li>2. Moteur du registre défectueux.</li> </ol>	<ol style="list-style-type: none"> <li>1. Resserrer, réparer ou remplacer la connexion.</li> <li>2. Remplacer le moteur</li> </ol>

**AVERTISSEMENT** – Pour fins de dépannage seulement. S’assurer que le registre est en position ouverte et le maintenir dans cette position au moyen de l’interrupteur de branchement. Installer un cavalier aux positions 2 et 3. Si l’appareil se met en marche, enlever le cavalier et rebrancher la fiche dans la prise du régulateur du registre. Si l’appareil ne se met pas en marche, remplacer le moteur du registre. Ne pas remplacer le conduit.

Si l’on ne dispose pas d’un moteur de rechange, mettre l’interrupteur de branchement en position ouverte. Le clapet du registre demeurera ouvert et l’appareil chauffera en mode automatique. Expédier ensuite le moteur défectueux au fabricant ou le remplacer. Le moteur porte une garantie commerciale limitée 18 par mois de la date de la fabrication originale (référez-vous à la forme #4294 sur le website). Le conduit ne porte aucune garantie.

DÉPANNAGE AVEC UN CAVALIER

IMPORTANT – Le registre doit être OUVERT avant que le brûleur ne s’allume.

PROBLÈME	CAUSE POSSIBLE	SOLUTION RECOMMANDÉE
PRÉSENCE DE COURANT entre les bornes 4 et 1 entre les bornes 4 et 2 entre les bornes 4 et 3 REGISTRE OUVERT, ABSENCE DE COMBUSTION	<ol style="list-style-type: none"> <li>1. Robinet d’admission de gaz fermé.</li> <li>2. Limiteur, régulateur de pression ou interrupteur de bas niveau d’eau hors fonction.</li> <li>3. Passage de passage ou roulement bloqué de flamme hors du commutateur déclenché.</li> <li>4. Connexion desserrée ou rompue.</li> <li>5. Élément défectueux de l’appareil en aval du registre.</li> </ol>	<ol style="list-style-type: none"> <li>1. Ouvrir le robinet de gaz.</li> <li>2. Mettre le limiteur, le régulateur ou l’interrupteur en fonction.</li> <li>3. Réarmer ou remplacer l’interrupteur.</li> <li>4. Resserrer, réparer ou remplacer la connexion.</li> <li>5. Remplacer l’élément défectueux.</li> </ol>
Blocage du registre	<ol style="list-style-type: none"> <li>1. Registre obstrué.</li> <li>2. Conduit du registre déformé. Hors de rond/de lier.</li> <li>3. Extrémité ondulée du conduit du registre introduite trop loin.</li> </ol>	<ol style="list-style-type: none"> <li>1. Enlever l’obstruction.</li> <li>2. Remettre le conduit dans sa forme normale ou remplacer le registre.</li> <li>3. Sligner et fixer convenablement le conduit d’évacuation en veillant à ce que le clapet touche au conduit.</li> </ol>
Rotation continuelle du registre	<ol style="list-style-type: none"> <li>1. Moteur du registre défectueux.</li> </ol>	<ol style="list-style-type: none"> <li>1. Remplacer le moteur.</li> </ol>

\*Si le problème persiste après avoir essayé toutes les solutions proposées, communiquer avec notre équipe de soutien technique au 1-800-742-8368.

## Warranty

For warranty information about this or any Field Controls product, visit:

[www.fieldcontrols.com/warranty](http://www.fieldcontrols.com/warranty)



**FIELD CONTROLS**

Phone: 252.522.3031 • Fax: 252.522.0214

[www.fieldcontrols.com](http://www.fieldcontrols.com)