

## PIR Ready SE7200 Series

24 VAC Low Voltage Zoning  
Terminal Equipment Controller



## Installation Guide

For Commercial HVAC Applications



### CONTENTS

<b>Installation</b>	<b>2</b>
Location	2
Installation	2
<b>Configurable BI/UI inputs overview</b>	<b>3</b>
<b>Model Chart</b>	<b>6</b>
Network ready	6
<b>Terminal, Identification and Function</b>	<b>7</b>
Wiring	8
Main output wiring	8
Typical applications	9
Remote sensor accessories	13
<b>Configuring and Status Display Instructions</b>	<b>15</b>
Status display	15
<b>User Interface</b>	<b>17</b>
Local keypad interface	17
Occupied setpoints adjustments	18
Unoccupied and stand-by setpoints adjustments	18
Mode button menu sequence	18
System mode function	18
<b>Installer Configuration Parameter Menu</b>	<b>19</b>
Configuration interface	19
<b>Specifications</b>	<b>31</b>
<b>Drawing &amp; Dimensions</b>	<b>32</b>



## INSTALLATION

Remove the security screw on the bottom of Terminal Equipment Controller cover.

- Open unit by pulling on the bottom side of Terminal Equipment Controller (fig. 1)
- Remove wiring terminals from sticker
- Please read the FCC ID and IC label installed in the cover upon removal of cover for the wireless products.

### Location

1. Should not be installed on an outside wall
2. Must be installed away from any direct heat source
3. Should not be installed near an air discharge grill
4. Should not be placed indirect sun radiation
5. Nothing should restrict vertical air circulation to the Terminal Equipment Controller

### Installation

1. Swing open the Terminal Equipment Controller PCB to the left by pressing the PCB locking tabs (fig. 2)
2. Pull out cables 6" out from the wall
3. Wall surface must be flat and clean
4. Insert cable in the central hole of the base
5. Align the base and mark the location of the two mounting holes on the wall  
Install proper side of base up
6. Install anchors in the wall
7. Insert screws in mounting holes on each side of the base (fig. 2).
8. Gently swing back the circuit board on the base and push on it until the tabs lock it.
9. Strip each wire 1/4 inch from end.
10. Insert each wire according to wiring diagram.
11. Gently push excess wiring back into hole (fig. 3).

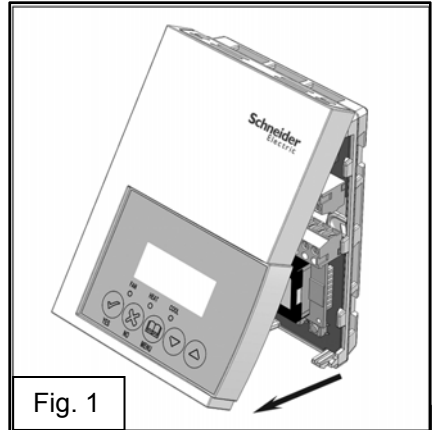


Fig. 1

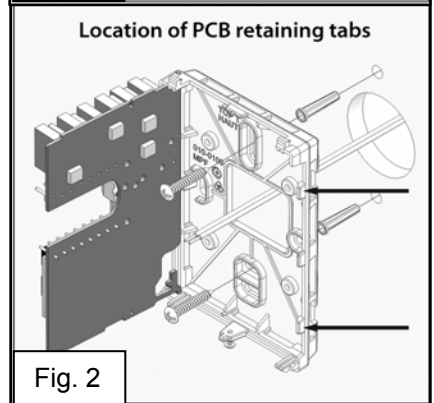


Fig. 2

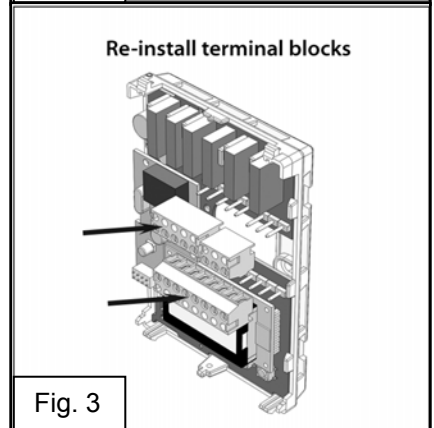


Fig. 3

12. Re-Install wiring terminals in their correct locations (fig. 3)
13. Re-install the cover (top side first) and gently push extra wire length back into the hole in the wall.
14. Install security screw.



- If replacing an existing Terminal Equipment Controller, label the wires before removal of the Terminal Equipment Controller.
- Electronic controls are static sensitive devices. Discharge yourself properly before manipulating and installing the Terminal Equipment Controller.
- A short circuit or wrong wiring may permanently damage the Terminal Equipment Controller or the equipment.
- All SE7000 series Terminal Equipment Controllers are designed for use as operating controls only and are not safety devices. These instruments have undergone rigorous tests and verification prior to shipping to ensure proper and reliable operation in the field. Whenever a control failure could lead to personal injury and/or loss of property, it becomes the responsibility of the user / installer / electrical system designer to incorporate safety devices (such as relays, flow switch, thermal protections, etc...) and/or an alarm system to protect the entire system against such catastrophic failures. Tampering with the devices or unintended application of the devices will result in a void of warranty.

## CONFIGURABLE BI/UI INPUTS OVERVIEW

**Binary input #1 can be configured for the following functions:**

1. **(None): No function will be associated with the input**
2. **(Rem NSB):** remote NSB timer clock input. The scheduling will now be set as per the binary input. It provides low cost setback operation via a dry contact.  
Contact opened = Occupied  
Contact closed = Unoccupied
3. **(Motion NO) and (Motion NC):** Advanced PIR occupancy functions using a Normally Open (NO) or Normally Closed (NC) remote PIR motion sensor. Occupancy mode is now set as per applied PIR function and configuration. Application information and examples are available on document: *APP-PIR-Guide-Exx*. This document will provide the installers and system designers with detailed examples on applications, parameter configuration information, sequence of operation, troubleshooting and diagnostic help required for the proper usage of the PIR accessory covers.
4. **(Window) EMS:** Forces the system to disable any current heating or cooling action by the Terminal Equipment Controller. The mode stays the same and the current setpoints are the same occupied setpoints. Only the outputs are disabled. There is a Door and Window alarm displayed on the Terminal Equipment Controller to indicate to the local tenant that the door and window needs to be closed for cooling or heating to resume. Use NC contact.

Schneider Electric 1354 Clifford Avenue, Loves Park, IL Tel: 1 888 444 1311 [www.schneider-electric.com](http://www.schneider-electric.com)

Contact opened = System disabled with local Window alarm.

Contact closed = System enabled.

**Binary input #2 can be configured for the following functions:**

1. **(None):** No function will be associated with the input.
2. **(Door Dry) Door contact & Motion detector:** This configuration is only functional if binary input #1 is set to Motion NO or Motion NC or a PIR accessory cover is used. With this sequence enabled, the occupancy is now dictated through those 2 inputs. Any motion detected will set the zone to occupied status. The zone will remain permanently in occupied mode until the door contact switch opens momentarily. The Terminal Equipment Controller will then go in stand-by mode. If more movements are detected, the occupied mode will resume. While the door is opened, any movements detected by the remote PIR sensor or the PIR accessory cover will be ignored. Use a Normally Closed contact switching device.

Contact opened = Door opened

Contact closed = Door closed

3. **(RemOVR):** temporary occupancy remote override contact. This function disables the central button override function on the Terminal Equipment Controller. The override function is now controlled by a manual remote momentarily closed contact. When configured in this mode, the input operates in a toggle mode. It is now possible to toggle between unoccupied & occupied setpoints for the amount of time set by parameter (TOccTime) temporary occupancy time.

4. **(Filter):** a backlit flashing Filter alarm will be displayed on the Terminal Equipment Controller LCD screen when the input is energized. It can be tied to a differential pressure switch that monitors filters.

Contact opened = No alarm

Contact closed = Alarm displayed

5. **(Service):** a backlit flashing Service alarm will be displayed on the Terminal Equipment Controller LCD screen when the input is energized. It can be tied in to the AC unit control card, which provides an alarm in case of malfunction.

Contact opened = No alarm

Contact closed = Alarm displayed

**Universal input #3 can be configured for the following functions:**

1. **(None):** No function will be associated with the input.
2. **(COC/NH) Change over dry contact. Normally Heat:** Used for hot / cold air / water change over switching in 2 pipe systems.

Contact closed = Cold air / water present

Contact opened = Hot air / water present

*Only used and valid if system is setup as 2.0. Parameter (Out1Conf) set as 2.0.*

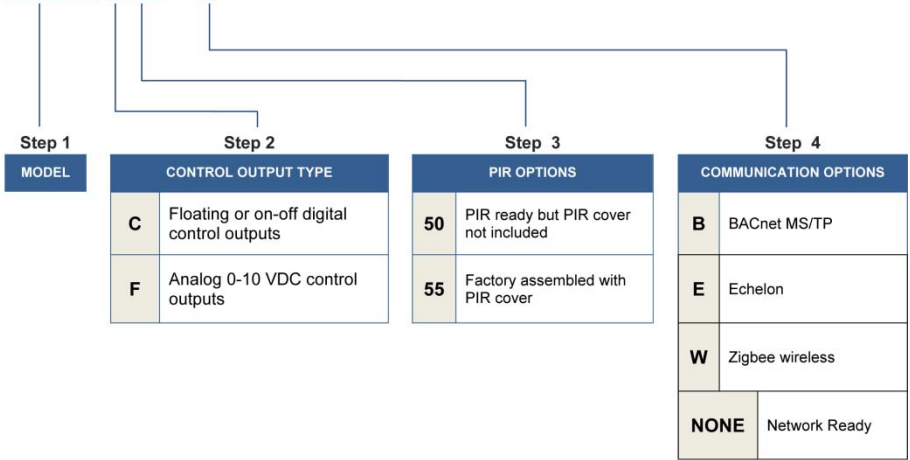
3. **(COC/NC) Change over dry contact. Normally Cool: Used for hot / cold air / water change over switching in 2 pipe systems.**  
Contact closed = Hot air / water present  
Contact opened = Cold air / water present  
*Only used and valid if system is setup as 2.0. Parameter (Out1Conf) set as 2.0.*
  
4. **(COS) Change over analog sensor: Used for hot / cold air / water change over switching in 2 pipe systems.**  
*Only used and valid if system is setup as 2.0. Parameter (Out1Conf) set as 2.0.*  
If temperature is > 77 °F = Hot air / water present  
If temperature is < 75 °F = Cold air / water present
  
5. **(SS) Supply air sensor monitoring: Used for supply air temperature monitoring.**  
Only used for network reporting of the supply air temperature. Has no internal function in the Terminal Equipment Controller.

# MODEL CHART

## Product Matrix Selector For The SE7200 Series Zone Controllers

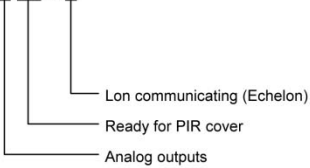
Please refer to the following matrix when ordering controllers:

**SE7200 F 5045 E**



### EXAMPLE:

SE7200 **F 5045 E**



## Network ready

- All Schneider-Electric SE7200 series Terminal Equipment Controllers are designed for stand-alone (Network Ready) operation.
- They can be fully integrated into your choice of automation systems using the available communication adapter options.
- If required, stand-alone (Network Ready) Terminal Equipment Controllers can be field retrofitted with the following communication adapters:

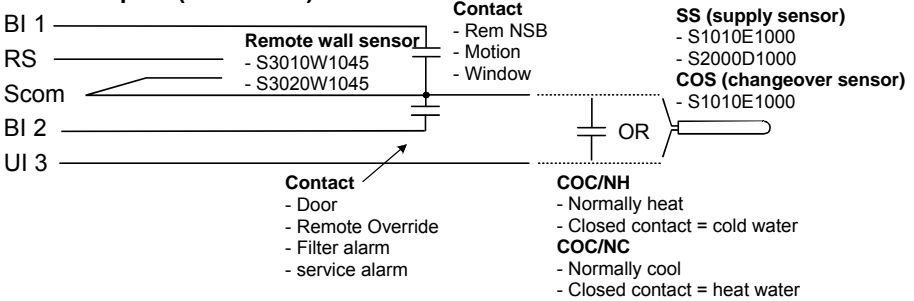
- VCM7300V5045B, Terminal Equipment Controller BACnet® MS-TP communication adapter.
- VCM7300V5045E, Terminal Equipment Controller Echelon® Lontalk® communication adapter.
- VCM7000V5045W Terminal Equipment Controller wireless communication adapter.

## TERMINAL, IDENTIFICATION AND FUNCTION

Schneider Part Numbers	SE7200C5x45(x)	Viconics number	SE7200F5x45(x)
Description / Application	1 or 2 Floating outputs 1 or 2 On/Off outputs	Description / application	1 or 2 Analog outputs
4- 24 V~ Hot	24 V~ Hot	4- 24 V~ Hot	24 V~ Hot
5- 0 V~ Com	24 V~ Com	5- 0 V~ Com	24 V~ Com
6- Aux BO 5	BO 5-Aux	6- Aux BO 5	BO 5-Aux
7- Aux BO 5	BO 5-Aux	7- Aux BO 5	BO 5-Aux
8- BO 3 Open Heat	BO 3		
9- BO 4 Close Heat	BO 4	9- AO 2 Heat	AO 2
10- BO 1 Open Cool	BO 1	10- AO 1 Cool	AO 1
11- BO 2 Close Cool	BO 2	Not used Blank	<b>Blank</b>
12- BI 1	BI 1	12- BI 1	BI 1
13- RS	RS	13- RS	RS
14- Scom	Scom	14- Scom	Scom
15- BI 2	BI 2	15- BI 2	BI 2
16- UI 3 COS / COC /SS	UI 3	16- UI 3 COS / COC /SS	UI 3

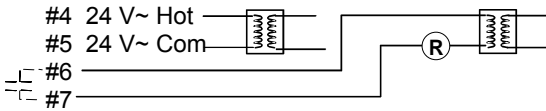
## Wiring

### Remote inputs (All models)

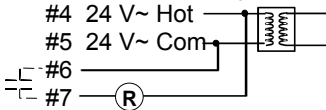


### Auxiliary output (All models)

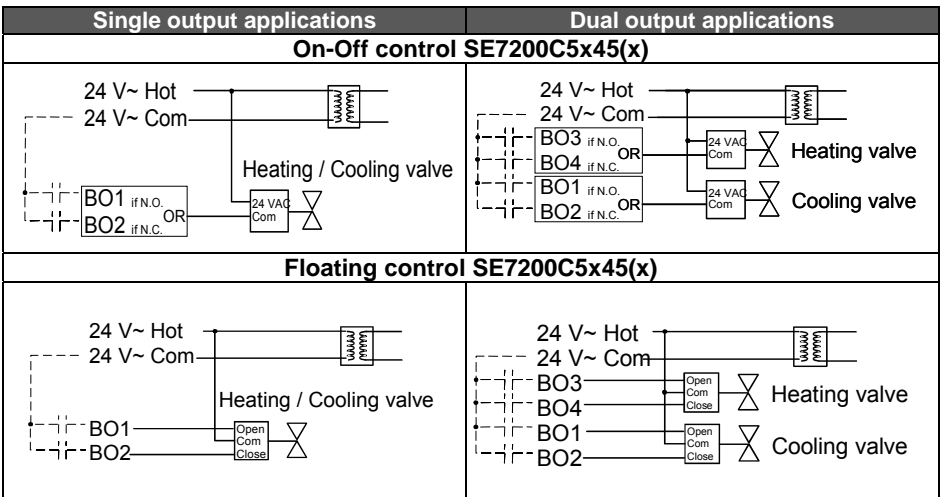
- Dry contact to end device 24 V~ maximum



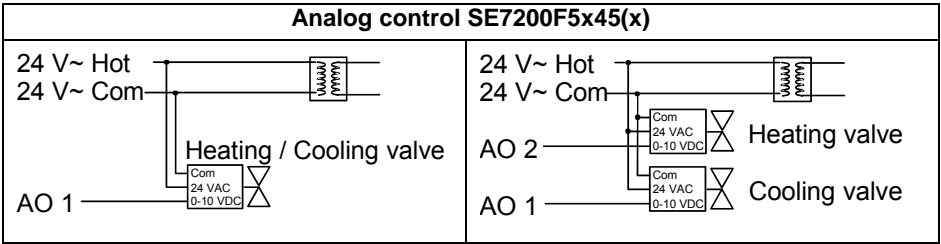
- 24 VAC power to relay



### Main outputs wiring





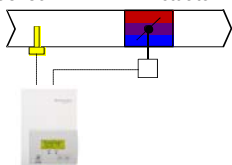


**Typical applications**

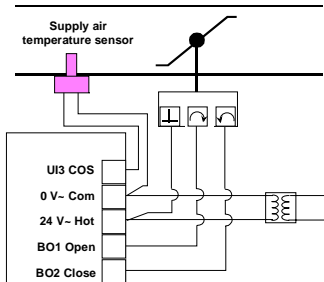
Schematic	Wiring	Settings
<b>Pressure dependent VAV cooling only: SE7200C5x45(x) Floating actuator</b>		
<p style="text-align: center;">Modulating Floating VAV Actuator</p> <p>Room Temperature Control Minimum &amp; Maximum Position Adjusted on the actuator</p>		<p><b>Mandatory</b></p> <ul style="list-style-type: none"> <li>Out1Conf = 2.0</li> <li>CntrlTyp = Floating</li> <li>FL time = <i>as per actuator</i></li> <li>SeqOpera = 0 Cooling only</li> </ul>
<b>Pressure dependent VAV cooling only: SE7200F5x45(x) Analog actuator</b>		
<p style="text-align: center;">Analog VAV Actuator</p> <p>Room Temperature Control Minimum &amp; Maximum Position Adjusted on the actuator</p>		<p><b>Mandatory</b></p> <ul style="list-style-type: none"> <li>Out1Conf = 2.0</li> <li>RA/DA = <i>as per actuator</i></li> <li>SeqOpera = 0 Cooling only</li> </ul>

## Pressure dependent VAV cooling or heating with changeover: SE7200C5x45(x) Floating actuator

Changeover Sensor Modulating Floating VAV Actuator



Room Temperature Control  
Minimum & Maximum Position  
Adjusted on the actuator



### Mandatory

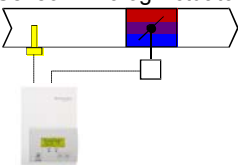
- Out1Conf = 2.0
- CntrlTyp = Floating
- FL time = as per actuator

If heat / cool auto-changeover with a local discharge air temperature sensor set:

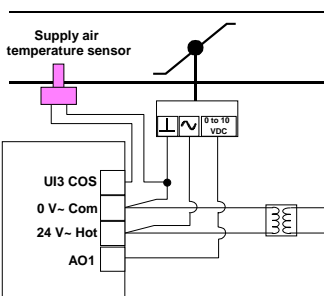
- SeqOpera = 0  
Cooling only
- UI3 = COS

## Pressure dependent VAV cooling or heating with changeover: SE7200F5x45(x) Analog actuator

Changeover 0 to 10 VDC Sensor Analog Actuator



Room Temperature Control  
Minimum & Maximum Position  
Adjusted on the actuator



### Mandatory

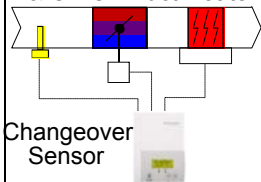
- Out1Conf = 2.0
- RA/DA = as per actuator

If heat / cool auto-changeover with a local discharge air temperature sensor set:

- SeqOpera = 0  
Cooling only
- UI3 = COS

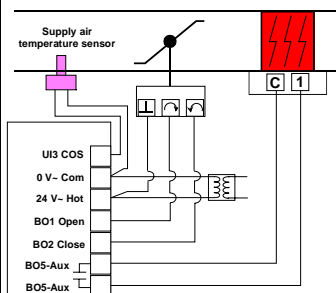
### Pressure dependent VAV cooling or heating with changeover and reheat: SE7200C5x45(x) Floating actuator

Modulating Floating  
VAV Actuator  
Heating and or Cooling  
& On-Off Duct Heater



Changeover  
Sensor

Room Temperature Control  
Minimum & Maximum Position  
Adjusted on the actuator



#### Mandatory

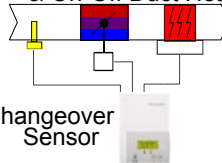
- Out1Conf = 2.0
- CntrlTyp = Floating
- FL time = as per actuator

If heat / cool auto-  
changeover with a local  
discharge air  
temperature sensor set:

- SeqOpera = 2  
Cooling with Reheat
- UI3 = COS

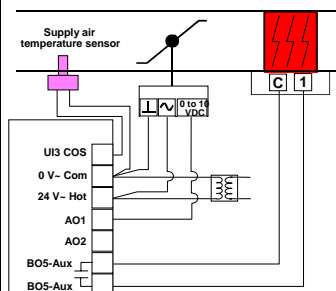
### Pressure dependent VAV cooling or heating with changeover and reheat: SE7200F5x45(x) Analog actuator

Analog VAV Actuator  
Heating and or Cooling  
& On-Off Duct Heater



Changeover  
Sensor

Room Temperature Control  
Minimum & Maximum Position  
Adjusted on the actuator

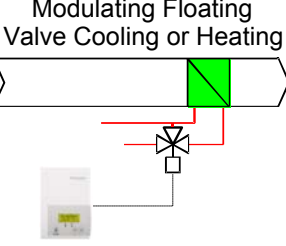
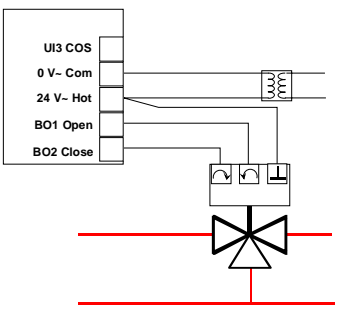
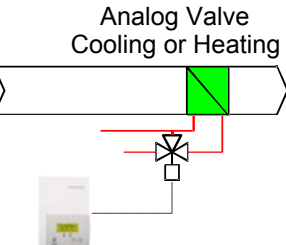
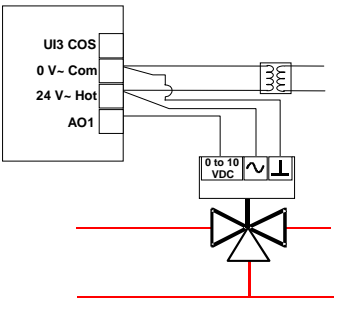


#### Mandatory

- Out1Conf = 2.0
- RA/DA = as per actuator

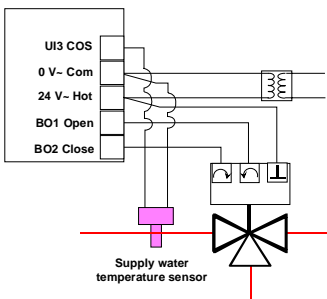
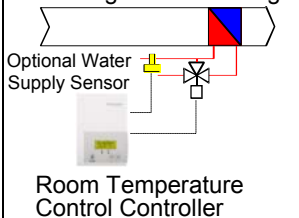
If heat / cool auto-  
changeover with a local  
discharge air  
temperature sensor set:

- SeqOpera = 2  
Cooling with Reheat
- UI3 = COS

Schematic	Wiring	Settings
<b>Heating or cooling hydronic valve control: SE7200C5x45(x) Floating actuator</b>		
<p>Modulating Floating Valve Cooling or Heating</p>  <p>Room Temperature Control Controller</p>		<p><b>Mandatory</b></p> <ul style="list-style-type: none"> <li>• Out1Conf = 2.0</li> <li>• CntrlTyp = Floating</li> <li>• FL time = <i>as per actuator</i></li> </ul> <p>If <b>cooling only</b> set::</p> <ul style="list-style-type: none"> <li>• SeqOpera = 0 Cooling only</li> </ul> <p>If <b>heating only</b> set::</p> <ul style="list-style-type: none"> <li>• SeqOpera = 1 Heating only</li> </ul>
<b>Heating or cooling hydronic valve control: SE7200F5x45(x) Analog actuator</b>		
<p>Analog Valve Cooling or Heating</p>  <p>Room Temperature Control Controller</p>		<p><b>Mandatory</b></p> <ul style="list-style-type: none"> <li>• Out1Conf = 2.0</li> <li>• RA/DA = <i>as per actuator</i></li> </ul> <p>If <b>cooling only</b> set::</p> <ul style="list-style-type: none"> <li>• SeqOpera = 0 Cooling only</li> </ul> <p>If <b>heating only</b> set::</p> <ul style="list-style-type: none"> <li>• SeqOpera = 1 Heating only</li> </ul>

### Cooling or heating with changeover hydronic valve control: SE7200C5x45(x) Floating actuator

#### Modulating Floating Valve Heating and or Cooling



#### Mandatory

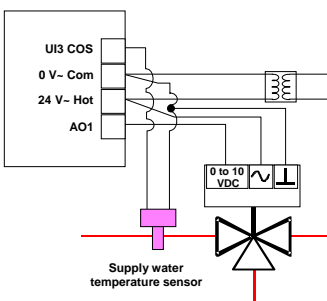
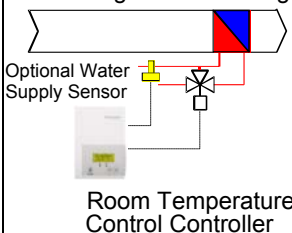
- Out1Conf = 2.0
- CntrlTyp = Floating
- FL time = as per actuator

If heat / cool auto-changeover with a local water temperature sensor set:

- SeqOpera = 0  
Cooling only
- UI3 = COS

### Cooling or heating with changeover hydronic valve control: SE7200F5x45(x) Analog actuator

#### Analog Valve Heating and or Cooling



#### Mandatory

- Out1Conf = 2.0
- RA/DA = as per actuator

If heat / cool auto-changeover with a local water temperature sensor set:

- SeqOpera = 0  
Cooling only
- UI3 = COS

### Remote sensor accessories

Model no.	Description
S3010W1045	Wall mounted temperature sensor
S3020W1045	Wall mounted temperature sensor with override key and occupancy status LED

Remote temperature sensors use 10K NTC thermistor.

- This sensor can be used for:
- Each sensor can be configured for various averaging combinations
- Optional occupancy led
- Optional override key

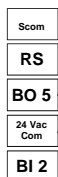


S3020W1045

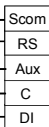
## Wall mounted sensor

## Wiring example of single remote room sensor:

SE7200 Series



S3020W1000

Remote wiring 1 sensor  
S2=On, S3=On

S3010W1000

Remote wiring 1 sensor  
S2=On, S3=On

←OR→

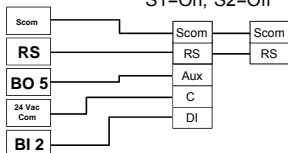
Dip switch setting for:  
**1 sensor**

S2-1 = ON  
S2-2 = ON

## Wiring examples of 2 remote room sensors for averaging applications:

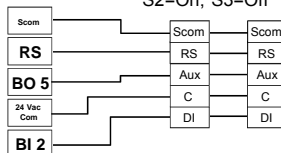
SE7200 Series

1 x S3010W1000 and 1 x S3020W1000

Remote wiring 2 sensors  
S1=On, S2=Off

VT7200 Series

2 x S3020W1000

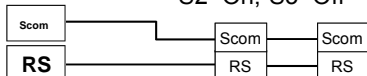
Remote wiring 2 sensors  
S2=On, S3=Off

SE7200 Series

2 x S3010W1000

Remote wiring 2 sensors

S2=On, S3=Off



## Notes for averaging applications:

- S3010W1045 and S3020W1045 can be mixed matched.
- S3010W1045 and S3020W1045 are to be wired in parallel.
- Respect the dip switch setting in each remote sensor.

Dip switch setting for:  
**2 sensors**

S2-1 = OFF  
S2-2 = ON

## Wiring examples of 3 remote room sensors for averaging applications:

### SE7200 Series

### 2x S3010W1000 and 1 x S3020W1000/T7200 Series

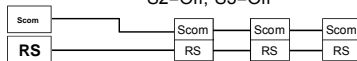
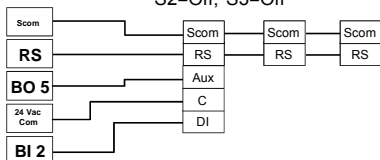
### 3x S3010W1000

Remote wiring 3 sensors

Remote wiring 3 sensors

S2=Off, S3=Off

S2=Off, S3=Off



Dip switch setting for:  
3 sensors



S2-1 = OFF

S2-2 = OFF

## Temperature vs. resistance chart for 10 Kohm NTC thermistor ( $R_{25^{\circ}\text{C}} =$

$10\text{K}\Omega \pm 3\%$ ,  $B_{25/85^{\circ}\text{C}} = 3975\text{K} \pm 1.5\%$ )

$^{\circ}\text{C}$	$^{\circ}\text{F}$	Kohm	$^{\circ}\text{C}$	$^{\circ}\text{F}$	Kohm	$^{\circ}\text{C}$	$^{\circ}\text{F}$	Kohm	$^{\circ}\text{C}$	$^{\circ}\text{F}$	Kohm	$^{\circ}\text{C}$	$^{\circ}\text{F}$	Kohm
-40	-40	324.3197	-20	-4	94.5149	0	32	32.1910	20	68	12.4601	40	104	5.3467
-35	-31	234.4009	-15	5	71.2430	5	41	25.1119	25	77	10.0000	45	113	4.3881
-30	-22	171.3474	-10	14	54.1988	10	50	19.7390	30	86	8.0694	50	122	3.6202
-25	-13	126.6109	-5	23	41.5956	15	59	15.6286	35	95	6.5499	55	131	3.0016

## CONFIGURING AND STATUS DISPLAY INSTRUCTIONS

### Status display

The Terminal Equipment Controller features a two-line, eight-character display. There is a low level backlight level that is always active and can only be seen at night.

When left unattended, the Terminal Equipment Controller has an auto scrolling display that shows the actual status of the system. There is an option in the configuration menu to lockout the scrolling display and to only present the room temperature and conditional outdoor temperature to the user. With this option enabled, no local status is given of mode, occupancy and relative humidity.

Each item is scrolled one by one with the back lighting in low level mode. Pressing any key will cause the back light to come on to high level. When left unattended for 10 seconds after changes are made, the display will resume automatic status display scrolling.

To turn on the back light to high level, press any key on the front panel. The back lit display will return to low level when the Terminal Equipment Controller is left unattended for 45 seconds

**Sequence of auto-scroll status display:**

ROOM & HUMIDITY	SYSTEM MODE	SCHEDULE STATUS	OUTDOOR TEMPERATURE	ALARMS
x.x °C or °F XX % RH	Sys mode	Occupied	Outdoor	Service
	Auto		x.x °C or °F	Filter
	Sys mode Cool	Stand-By		Window
	Sys mode heat	Unoccup		

**Outdoor air temperature**

- Display is only enabled when outdoor air temperature network variable is received.

**Occupancy Status**

- Occupied, Stand-By, Unoccupied and Override status are displayed on the scrolling display.

**Alarms**

- If alarms are detected, they will automatically be displayed at the end of the status display scroll.
- During an alarm message display, the back lit screen will light up at the same time as the message and shut off during the rest of the status display.
- Two alarms maximum can appear at any given time. The priority for the alarms is as follows:

<b>Service</b>	Indicates that there is a service alarm as per one of the configured binary inputs ( B12 )
<b>Filter</b>	Indicates that the filters are dirty as per one of the configured binary inputs ( B12 )
<b>Window</b>	Indicates that the outside window or door is opened and that the Terminal Equipment Controller has cancelled any cooling or heating action ( B11 )

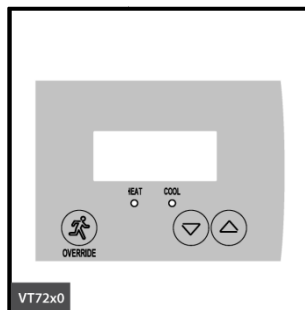
Two status LED's on the Terminal Equipment Control cover are used to indicate a call for heat or a call for cooling.



## Zoning Models

When <b>heating &amp; reheat</b> is <b>ON</b> , the <b>HEAT LED</b> will illuminate	HEAT ○
When <b>cooling</b> is <b>ON</b> , the <b>COOL LED</b> will illuminate	COOL ○

## USER INTERFACE



### Unoccupied mode override

An Override can be made during an unoccupied period. If the Override option is enabled in the lockout configuration pressing the Override button will resume occupied setpoints for a time specified by parameter ToccTime

### Local keypad interface

	<ul style="list-style-type: none"> <li>An Override can be made during an unoccupied period. If the Override option is enabled in the lockout configuration pressing the override key will resume occupied setpoints for a time specified by parameter ToccTime</li> </ul>
	<ul style="list-style-type: none"> <li>In cooling mode only the cooling setpoint is displayed,</li> <li>In heating mode only the heating setpoint is displayed</li> <li>In auto mode, (See below)</li> </ul>
	<ul style="list-style-type: none"> <li>In cooling mode only the cooling setpoint is displayed,</li> <li>In heating mode only the heating setpoint is displayed</li> <li>In auto mode, (See below)</li> </ul>

- Any setpoint change can be permanent or temporary based on configuration parameter (Setpoint Type)
- Any setpoint written through the network, will be permanent and cancel any active temporary setpoints
- Lockouts of access to certain functions is made with configuration parameter (lockout)

## Occupied setpoints adjustments

COOLING MODE	HEATING MODE	OFF MODE	AUTO MODE
Cool XX.X °F or °C	Heat XX.X °F or °C	No access to setpoint	<ul style="list-style-type: none"> <li>▪ Setpoint presented to user is the setpoint from the last action taken by the Terminal Equipment Controller or the one currently in use.</li> <li>▪ Both heating and cooling setpoints are changed simultaneously while respecting the minimum configured deadband</li> </ul>
			Cool XX.X °F or °C and Heat XX.X °F or °C Both heating & cooling setpoints change simultaneously

## Unoccupied and stand-by setpoints adjustments

Setting of the stand-by and unoccupied setpoints is done through the network or through configuration setup only.

## Mode button menu sequence

Modes presented to the user are dependent on the sequence of operation selected. Default mode is shown in bold when sequence of operation parameter is changed.

## System mode function

PLEASE NOTE THAT: Default system mode of operation is dependent on sequence of operation selected

Default mode is in bold when sequence of operation parameter is changed

*The available mode can only be changed through the network since there is no local mode access*

SEQUENCE SELECTED	MODE MENU
0 = Cooling Only	Off - Cool
1 = Heating Only	Off - Heat
2 = Cooling With Electric Reheat	Off – Auto – Heat – Cool
3 = Heating With Electric Reheat	Off - Heat
4 = Cooling and Heating ( 2 modulating outputs )	Off – <b>Auto</b> – Heat – Cool
5 = Cooling or heating ( 2 modulating outputs) with reheat	Off – <b>Auto</b> – Heat – Cool

## INSTALLER CONFIGURATION PARAMETER MENU




Configuration can be done through the network or locally at the Terminal Equipment Controller.

- To enter configuration, press and hold the middle button (°C/°F or Override) for 8 seconds.

If a password lockout is active, “*Password*” is prompted. Enter password value using the “*up*” and “*down*” arrows and press the middle button again to gain access to all configuration *properties* of the Terminal Equipment Controller. Entering a *wrong* password will prevent local access to the configuration menu.

- Press the same middle button repetitively to scroll between all the available parameters.
- Use the up and down key to change the parameter to the desired value.
- To acknowledge and save the new value, press the middle button again.
- The next parameter will now be displayed.

### Configuration interface

	Pressing repetitively will individually scroll all the available parameters
	Adjust / rotate parameter value down
	Adjust / rotate parameter value up

Configuration Parameters Default Value	Significance and Adjustment
<b>PswrdSet</b> Configuration parameters menu access password Default value = <b>0</b> Range is: 0 to 1000	This parameter sets a password access to prevent unauthorized access to the configuration menu parameters. A default value of “0” will not prompt a password or lock the access to the configuration menu. Range is: 0 to 1000

<p><b>Com Addr</b> Terminal Equipment Terminal Equipment Controller networking address Default value = <b>254</b> Range is: 0 to 254</p>	<p><b>Conditional parameter to BACnet® MS-TP models SE7200X5x45B</b></p> <p><b>Conditional parameter to Wireless models SE7200X5x45W</b></p> <ul style="list-style-type: none"> <li>▪ For BACnet® MS-TP models, the valid range is from 1 to 127. Default value of 254 disables BACnet® communication for the Terminal Equipment Controller. For wireless models, the valid range is 0 to 254 with a maximum of 30 Terminal Equipment Controller per VWG</li> </ul>
<p><b>PAN ID</b> Personal Area Network Identification Default value = <b>0</b> Range is: 0 to 1000</p>	<p><b>Conditional parameter to Wireless models SE7200X5x45W</b></p> <p>This parameter will only appear when a wireless network adapter is present. If the Terminal Equipment Controller is installed as a stand-alone (Network Ready) unit or with a BACnet® or Echelon® adapter, this parameter will not be used or displayed.</p> <p>This parameter (Personal Area Network Identification) is used to link specific Terminal Equipment Controllers to a single specific Schneider-Electric wireless gateway (VWG). For every Terminal Equipment Controller reporting to a gateway (maximum of 30 Terminal Equipment Controllers per gateway), be sure you set the <i>SAME</i> PAN ID value both on the gateway and the Terminal Equipment Controller(s).</p> <p>The default value of 0 is <i>NOT</i> a valid PAN ID. The valid range of available PAN ID is from 1 to 1000.</p> <p>Range 1 to 500 for centralized networked applications using a VWG or a Jace with the wireless stat driver</p> <p>Range 501 to 1000 is for stand-alone (Network Ready) applications where no VWG or Jace with the wireless stat driver is used.</p>

<p><b>Channel</b> Channel selection Default value = <b>10</b> Range is: 10 to 26</p>	<p><b>Conditional parameter to Wireless models SE7200X5x45W</b></p> <p>This parameter will only appear when a wireless network adapter is present. If the Terminal Equipment Controller is installed as a stand-alone (Network Ready) unit or with a BACnet® or Echelon® adapter, this parameter will not be used or displayed.</p> <p>This parameter (Channel) is used to link specific Terminal Equipment Controllers to specific Schneider-Electric wireless gateway(s) (VWG). For every Terminal Equipment Controller reporting to a gateway (maximum of 30 Terminal Equipment Controllers per gateway), be sure you set the <i>SAME</i> channel value both on the gateway and the Terminal Equipment Controller(s).</p> <p><b><i>Schneider-Electric recommends using only the usage of channels 15 and 25 only.</i></b></p> <p>The default value of 10 is <i>NOT</i> a valid channel. The valid range of available channel is from 11 to 26</p>
<p><b>Get From</b> Terminal Equipment Controller Get From another device configuration utility Default value = <b>0</b> Range is: 0 to 254</p>	<p><b>Conditional parameter to Wireless models (SE7200X5x45W)</b></p> <p>Entering a MAC address enables an automatic routine that automatically fetches all the required configuration properties of the current device from another already configured device and copies the same required configured property values. If a value other than the default value of 255 is entered, user will then be prompted to exit the Configuration Menu thus leaving all other parameter configuration to be copied from the referenced Terminal Equipment Controller MAC address.</p> <p>Ex.: If you are currently configuring MAC12 and the settings <u>matches exactly</u> the settings of ZN MAC5, then enter 5 as the current parameter value.</p> <ul style="list-style-type: none"> <li>▪ If the process is successful and all required configuration properties have been copied, the value will revert back to 255</li> <li>▪ If the process is <i>NOT</i> successful and all required configuration properties have NOT been copied ( either the reference device is <i>NOT</i> the same model number or is offline or does not exists ) the value will revert back to 254 to indicate the failure of the process</li> </ul> <p><b>Leaving the Get From parameter to 255 means that every configuration parameters will be set manually.</b></p>

**BI 1**

Binary input no.1  
configuration

Default value = **None**

**(None):** No function will be associated with the input. Input can be used for remote network monitoring.

**(Rem NSB):** remote NSB timer clock input. The scheduling will now be set as per the binary input. It provides low cost setback operation via a dry contact

- Contact opened = Occupied
- Contact closed = Unoccupied

**(Motion NO) or (Motion NC):** Advanced PIR occupancy functions using a Normally Open (NO) or Normally Closed (NC) remote PIR motion sensor. Occupancy mode is now set as per applied PIR function and configuration. Application information and examples are available in document: *APP-PIR-Guide-Exx*. This document will provide the installers and system designers with detailed examples on applications, parameter configuration information, sequence of operation, troubleshooting and diagnostic help required for the proper usage of the PIR accessory covers

**(Window) EMS:** Forces the system to disable any current heating or cooling action by the Terminal Equipment Controller. The mode stays the same and the current setpoints are the same Occupied setpoints. Only the outputs are disabled. There is a Door/Window alarm displayed on the Terminal Equipment Controller to indicate to the local tenant that the door/window needs to be closed for cooling or heating to resume.

\* These settings will disable the local override function on the Terminal Equipment Controller.

**BI 2**












Binary input no.2  
configuration

Default value = **None**


- (None): No function will be associated with the input
- (Door Dry) Door contact & Motion detector: This configuration is only functional if binary input #1 is set to Motion NO or Motion NC or a PIR accessory cover is used.
- With this sequence enabled, the occupancy is now dictated through those 2 inputs. Any motion detected will set the zone to occupied status. The zone will remain permanently in occupied mode until the door contact switch opens momentarily. The Terminal Equipment Controller will then go in stand-by mode. If more movements are detected, the occupied mode will resume. While the door is opened, any movements detected by the remote PIR sensor or the PIR accessory cover will be ignored. Use a Normally Closed contact switching device.
- Contact opened = Door opened
- Contact closed = Door closed
- (RemOVR): temporary occupancy remote override contact. This function disables the central button override function on the Terminal Equipment Controller. The override function is now controlled by a manual remote momentarily closed contact. When configured in this mode, the input operates in a toggle mode.
- It is now possible to toggle between unoccupied & occupied setpoints for the amount of time set by parameter (TOccTime) temporary occupancy time.
- (Filter): a backlit flashing Filter alarm will be displayed on the Terminal Equipment Controller LCD screen when the input is energized. It can be tied to a differential pressure switch that monitor filters
- Contact opened = No alarm
- Contact closed = Alarm displayed
- (Service): a backlit flashing Service alarm will be displayed on the Terminal Equipment Controller LCD screen when the input is energized. It can be tied in to the AC unit control card, which provides an alarm in case of malfunction.
- Contact opened = No alarm
- Contact closed = Alarm displayed

<p><b>UI3</b>          Universal input no.3          configuration          Default value = <b>None</b></p>	<p><b>(None):</b> No function will be associated with the input</p> <p><b>(COC/NH) Change over dry contact. Normally Heat:</b> Used for hot / cold water or air change over switching in 2 pipe systems.          Contact closed = Cold water or air present          Contact opened = Hot water or air present          Only used and valid if system is setup as 2 pipes. Parameter (Pipe No) set as 2 pipes.</p> <p><b>(COC/NC) Change over dry contact. Normally Cool:</b> Used for hot / cold water or air change over switching in 2 pipe systems.          Contact closed = Hot water present          Contact opened = Cold water present          Only used and valid if system is setup as 2 pipes. Parameter (Pipe No) set as 2 pipes.</p> <p><b>(COS) Change over analog sensor:</b> Used for hot / cold water or air change over switching in 2 pipe systems.          Only used and valid if system is setup as 2 pipes. Parameter (Pipe No) set as 2 pipes.          If water temperature is &gt; 78 °F = Hot water present          If water temperature is &lt; 75 °F = Cold water present</p> <p><b>(SS) Supply air sensor monitoring:</b> Used for supply air temperature monitoring.</p> <p>Only used for network reporting of the supply air temperature. Has no internal function in the Terminal Equipment Controller.</p>
<p><b>MenuScro</b>          Menu scroll          Default value = <b>On</b> =  <b>Scroll active</b></p>	<p>Removes the scrolling display and displays the room temperature/humidity to the user. With this option enabled, no mode, schedule and outdoor temperature status is given.</p> <ul style="list-style-type: none"> <li>▪ <b>On = Scroll active</b></li> <li>▪ <b>Off = Scroll not active</b></li> </ul>
<p><b>C or F</b>          Sets scale of the Terminal Equipment Controller          Default value = °F</p>	<ul style="list-style-type: none"> <li>▪ °F for Fahrenheit scale</li> <li>▪ °C for Celsius scale</li> </ul>



USER KEY FUNCTIONS		
LEVEL	 <small>VERRIDE</small>	 
0		
1		
2	NOT USED	
3		
4		
5		
<b>Out1Conf</b> Output # 1 configuration Default is: <b>4.0</b> (2 control outputs, no changeover)	Defines the type of operation needed for Output #1 (BO1 & BO2) <b>2.0</b> , will limit the number of sequences of operation available from 0 to 3 Will enable heat/cool operation from the same output ( refer to wiring diagram ) <b>4.0</b> , can access all the sequences of operation from 0 to 5 Will enable heat/cool operation from different output ( refer to wiring diagram )	
<b>CtrlTyp</b> Control type for Triac models Default is: <b>Floating</b>	Defines the type of control output for the type of valves installed <b>SE7200C10xx only</b> <b>On/Off</b> is for normally opened or normally closed 24 VAC 2 position valves <b>Floating</b> is for modulating 3 wires control of 24 VAC floating valves	
<b>SeqOpera</b> Sequence of operation Default is: <b>Sequence #1</b>	<b>Single output application (Out1Conf) = 2.0</b>	<b>Dual output application (Out1Conf) = 4.0</b>
0 = Cooling Only	Yes access	Yes access
1 = Heating only	Yes access	Yes access
2 = Cooling with Reheat	Yes access	Yes access
3 = Heating with Reheat	Yes access	Yes access
4 = Cool and Heat, 2 outputs	No access	Yes access
5 = Cool and Heat, 2 outputs with Reheat	No access	Yes access
For single output applications, the system access is also limited if UI3 is configured for local changeover COS, COC/NC or COC/NC.		

<p><b>St-By TM</b> Stand-by Timer value Default <b>0.5 hours</b></p>	<p>Time delay between the moment where the PIR cover detected the last movement in the area and the time which the Terminal Equipment Controller stand-by mode and setpoints become active. Range is: <b>0.5 to 24.0 hours</b> in 0.5hr increments</p>
<p><b>Unocc TM</b> Unoccupied Timer value Default <b>0.0 hours</b></p>	<p>Time delay between the moment where the Terminal Equipment Controller toggles to stand-by mode and the time which the Terminal Equipment Controller unoccupied mode and setpoints become active. The factory value or <b>0.0 hours</b>: Setting this parameter to its default value of 0.0 hours disables the unoccupied timer. This prevents the Terminal Equipment Controller to drift from stand-by mode to unoccupied mode when PIR functions are used Range is: <b>0.0 to 24.0 hours</b> in 0.5hr increments</p>
<p><b>St-By HT</b> Stand-by heating setpoint Default value = <b>69 °F</b></p>	<p>The value of this parameter should reside between the occupied and unoccupied heating setpoints and make sure that the difference between the stand-by and occupied value can be recovered in a timely fashion when movement is detected in the zone. Stand-by heating setpoint range is: <b>40 to 90 °F ( 4.5 to 32.0 °C )</b></p>
<p><b>St-By CL</b> Stand-by cooling setpoint limit Default value = <b>78 °F</b></p>	<p>The value of this parameter should reside between the occupied and unoccupied cooling setpoints and make sure that the difference between the stand-by and occupied value can be recovered in a timely fashion when movement is detected in the zone. Stand-by cooling setpoint range is: <b>54 to 100 °F ( 12.0 to 37.5 °C )</b></p>
<p><b>Unocc HT</b> Unoccupied heating setpoint Default value = <b>62 °F</b></p>	<p>Heating setpoint range is: <b>40 to 90 °F ( 4.5 to 32.0 °C )</b></p>
<p><b>Unocc CL</b> Unoccupied cooling setpoint limit Default value = <b>80 °F</b></p>	<p>Cooling setpoint range is: <b>54 to 100 °F ( 12.0 to 37.5 °C )</b></p>
<p><b>heat max</b> Maximum heating setpoint limit Default value = <b>90 °F ( 32 °C )</b></p>	<p>Maximum occupied &amp; unoccupied heating setpoint adjustment. Heating setpoint range is: <b>40 to 90 °F ( 4.5 to 32.0 °C )</b></p>

<p><b>cool min</b> Minimum cooling setpoint limit Default value = <b>54 °F ( 12 °C )</b></p>	<p>Minimum occupied &amp; unoccupied cooling setpoint adjustment. Cooling setpoint range is: <b>54 to 100 °F ( 12.0 to 37.5 °C )</b></p>																											
<p><b>Pband</b> Proportional band setting Default is : <b>3</b></p>	<p>Adjust the proportional band used by the Terminal Equipment Controller PI control loop.</p> <p> Note that the default value of 3.0 °F (1.2 °C) gives satisfactory operation in most normal installation cases. The use of a proportional band different than the factory one is normally warranted in applications where the Terminal Equipment Controller location is problematic and leads to unwanted cycling of the unit. A typical example is a wall mounted unit where the Terminal Equipment Controller is installed between the return and supply air feeds and is directly influenced by the supply air stream of the unit.</p> <table border="1" data-bbox="440 760 962 1027"> <thead> <tr> <th>VALUE</th> <th>°F SCALE PBAND</th> <th>°C SCALE PBAND</th> </tr> </thead> <tbody> <tr> <td>3</td> <td>3 F</td> <td>1.2 C</td> </tr> <tr> <td>4</td> <td>4 F</td> <td>1.7 C</td> </tr> <tr> <td>5</td> <td>5 F</td> <td>2.2 C</td> </tr> <tr> <td>6</td> <td>6 F</td> <td>2.8 C</td> </tr> <tr> <td>7</td> <td>7 F</td> <td>3.3 C</td> </tr> <tr> <td>8</td> <td>8 F</td> <td>3.9 C</td> </tr> <tr> <td>9</td> <td>9 F</td> <td>5.0 C</td> </tr> <tr> <td>10</td> <td>10 F</td> <td>5.6 C</td> </tr> </tbody> </table>	VALUE	°F SCALE PBAND	°C SCALE PBAND	3	3 F	1.2 C	4	4 F	1.7 C	5	5 F	2.2 C	6	6 F	2.8 C	7	7 F	3.3 C	8	8 F	3.9 C	9	9 F	5.0 C	10	10 F	5.6 C
VALUE	°F SCALE PBAND	°C SCALE PBAND																										
3	3 F	1.2 C																										
4	4 F	1.7 C																										
5	5 F	2.2 C																										
6	6 F	2.8 C																										
7	7 F	3.3 C																										
8	8 F	3.9 C																										
9	9 F	5.0 C																										
10	10 F	5.6 C																										

<p><b>Set Type</b> Temporary setpoint enable Default is : <b>Permnet</b></p> <p>Enables temporary setpoints feature to any change of occupied or unoccupied setpoint.</p>	<p><b>Temporar:</b> (temporary) Local changes to the heating or cooling setpoints by the user are temporary. They will remain effective for the duration specified by "ToccTime". Setpoints will then revert back to their default value after internal timer "ToccTime" expires.</p> <p>To change setpoints permanently, revert this variable to <b>No</b> or write setpoints through the network. Any setpoints written through the network will be permanent and saved to EEPROM.</p> <p><b>Permnet:</b> (permanent) Any change of occupied or unoccupied setpoints through the keypad by the user are permanent and saved to &amp; EEPROM</p>
<p><b>TOccTime</b> Temporary occupancy time Default value = <b>2 hours</b></p>	<p>Temporary occupancy time with occupied mode setpoints when override function is enabled.</p> <p>When the Terminal Equipment Controller is in unoccupied mode, function is enabled with either the menu or UI2 configured as remote override input.</p> <p>Range is: <b>0,1, 2, 3, 4, 5, 6, 7, 8, 9, 10, &amp; up to 24 hours</b></p>
<p><b>Deadband</b> Minimum deadband Default value = <b>2.0 °F ( 1.0 °C )</b></p>	<p>The minimum deadband value between the heating and cooling setpoints. When modified, it will take effect only when any of the setpoints are modified again.</p> <p>Range is: <b>2, 3, 4 or 5 °F, 1.0 °F increments ( 1.0 to 2.5 °C, 0.5 °C increments )</b></p>
<p><b>Cal RS</b> Room temperature sensor calibration Default value = <b>0.0 °F or °C</b></p>	<p>Offset that can be added/subtracted to the actual displayed room temperature</p> <p>Range is: <b>± 5.0 °F, 1.0 °F increments ( ± 2.5 °C, 0.5 °C increments )</b></p>

<p><b>aux cont</b> Auxiliary contact function &amp; configuration Default value = <b>0 Not Used</b></p>	<p><b>0 Aux contact function used for reheat</b> <u>IF SEQUENCE IS SET TO REHEAT THROUGH NETWORK OR LOCAL</u>, Ignore this parameter</p> <p><b>The output will directly follow the occupancy of the Terminal Equipment Controller</b> <b>1 Auxiliary NO</b>, Occ or St-By = Contact Closed / Unoccupied = Contact Opened <b>2 Auxiliary NC</b>, Occ or St-By = Contact Opened / Unoccupied = Contact Closed</p> <p><b>Output to follow directly main occupancy and Fan on command</b> Typically used for 2 position fresh air damper applications. <b>3 Auxiliary NO</b>, Occ or St-By &amp; Fan On = Contact Closed / Unoccupied &amp; Fan On or Off = Contact Opened <b>4 Auxiliary NC</b>, Occ or St-By &amp; Fan On = Contact Opened / Unoccupied &amp; Fan On or Off = Contact Closed</p> <p><b>Output to follow secondary network occupancy command</b> <b>5 Auxiliary On/Off Control</b> through auxiliary network command. The output can be commanded through the network for any required auxiliary functions through a separate &amp; dedicated network variable.</p>
<p><b>FL time</b> Floating actuator timing <b>SE7200C5x45(x) models only</b> Default value: <b>1.5 minutes</b></p>	<p>Maximum stroke time of floating valve actuator. <b>0.5 to 9.0</b> in 0.5 minutes increment</p>
<p><b>cph</b> On/Off devices cycles per hour <b>SE7200C5x45(x) models only</b> Default value = <b>4 C.P.H.</b></p>	<p>Will set the maximum number cycles per hour under normal control operation. It represents the maximum number of cycles that the equipment will turn ON and OFF in one hour. Note that a higher C.P.H will represent a higher accuracy of control at the expense of wearing mechanical components faster. <b>3, 4, 5, 6,7 &amp; 8 C.P.H.</b></p>

<p><b>RA/DA</b> Reverse acting or Direct acting signal for Analog output signals <b>SE72xxF5x45(x) models only</b> Default value: <b>DA signal</b></p>	<p>Changes the action of the analog outputs on the analog models. <b>DA</b> = Direct acting 0 to 100 % = 0 to 10 VDC <b>RA</b> = Reverse acting 0 to 10 % - 10 to 0 VDC</p>
<p><b>Reheat</b> Sets the time base for the reheat output if used Default value: <b>0 = 15 minute</b></p>	<p>Sets the reheat output time base Valid only if reheat sequences are enabled <b>0</b> = 15 minutes <b>1</b> = 10 seconds for Solid state relays</p>
<p><b>UI3 dis</b> Display supply or changeover temperature</p>	<p>Used as diagnostic / service help to troubleshoot and diagnose sensor operation Only when UI 3 is configured as an analog input ( SS or COS )</p>

## SPECIFICATIONS

### Terminal Equipment Controller power

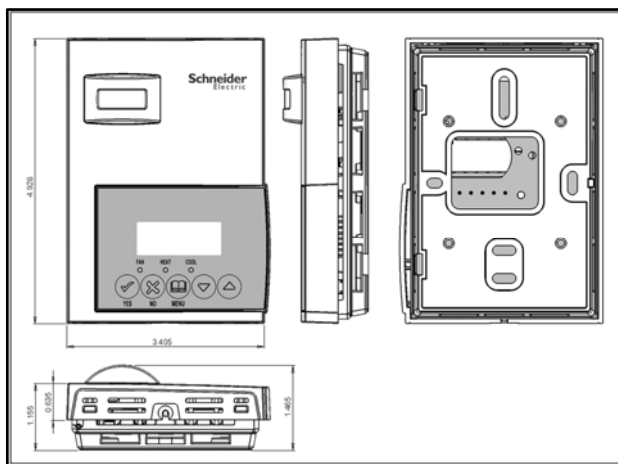
requirements:	19-30 VAC 50 or 60 Hz; 2 VA Class 2
Operating conditions:	0 °C to 50 °C ( 32 °F to 122 °F ) 0% to 95% R.H. non-condensing
Storage conditions:	-30 °C to 50 °C ( -22 °F to 122 °F ) 0% to 95% R.H. non-condensing
Temperature sensor:	Local 10 K NTC thermistor
Temperature sensor resolution:	± 0.1 °C ( ± 0.2 °F )
Temperature control accuracy:	± 0.5 °C ( ± 0.9 °F ) @ 21 °C ( 70 °F ) typical calibrated
Contact output rating	Triac output: 30 VAC, 1 Amp. Maximum, 3 Amp. In-rush. Analog: 0 to 10VDC into 2KΩ resistance min.
Occ, Stand-By and Unocc cooling setpoint range:	12.0 to 37.5 °C ( 54 to 100 °F )
Occ, Stand-By and Unocc heating setpoint range:	4.5 °C to 32 °C ( 40 °F to 90 °F )
Room and outdoor air temperature display range:	-40 °C to 50 °C ( -40 °F to 122 °F )
Proportional band for room temperature control:	Cooling & Heating: Default: 1.8°C ( 3.2°F )
Binary inputs:	Dry contact across terminal B11, B12 & UI3 to Scom
Wire gauge:	18 gauge maximum, 22 gauge
Approximate shipping weight:	0.75 lb ( 0.34 kg )
Agency Approvals all models:	<b>UL:</b> UL 873 (US) and CSA C22.2 No. 24 (Canada), File E27734 with CCN XAPX (US) and XAPX7 (Canada) <b>Industry Canada:</b> ICES-003 (Canada)
Agency Approvals all models:	<b>FCC:</b> Compliant to CFR 47, Part 15, Subpart B, Class A (US) <b>CE :</b> EMC Directive 89/336/EEC (Europe Union) <b>C-Tick:</b> AS/NZS CISPR 22 Compliant (Australia / New Zealand) Supplier Code Number N10696
Agency Approvals Wireless models:	<b>FCC:</b> Compliant to: Part 15, Subpart C

THIS DEVICE COMPLIES WITH PART 15 OF THE FCC RULES. OPERATION IS SUBJECT TO THE FOLLOWING TWO CONDITIONS: (1) THIS DEVICE MAY NOT CAUSE HARMFUL INTERFERENCE, AND (2) THIS DEVICE MUST ACCEPT ANY INTERFERENCE RECEIVED, INCLUDING INTERFERENCE THAT MAY CAUSE UNDESIRE OPERATION.



Please check with your local government for instruction on disposal of this product.

## DRAWING & DIMENSIONS



© 2011 Schneider Electric. All rights reserved.