

MODEL: T103

24 HOUR DIAL TIME SWITCH

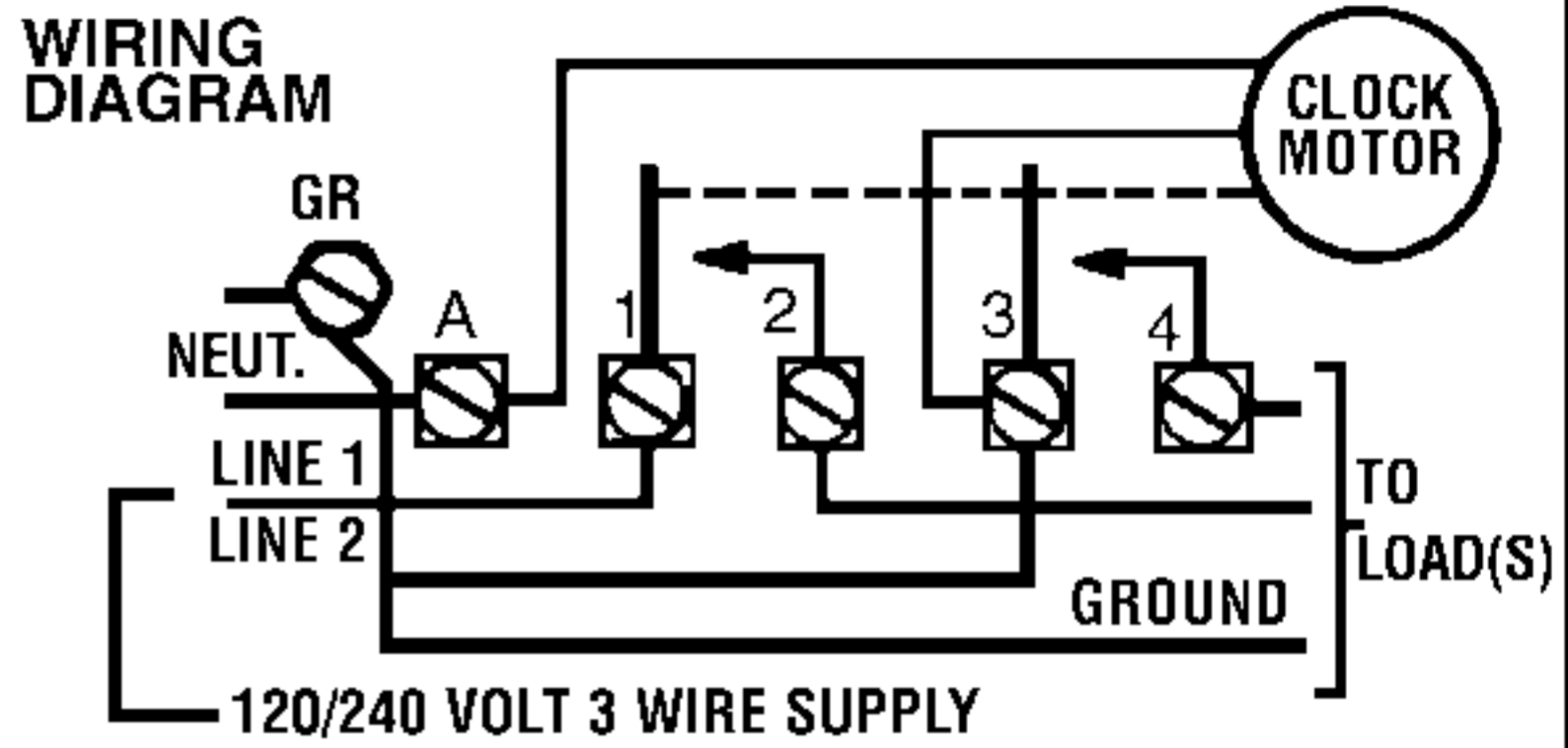
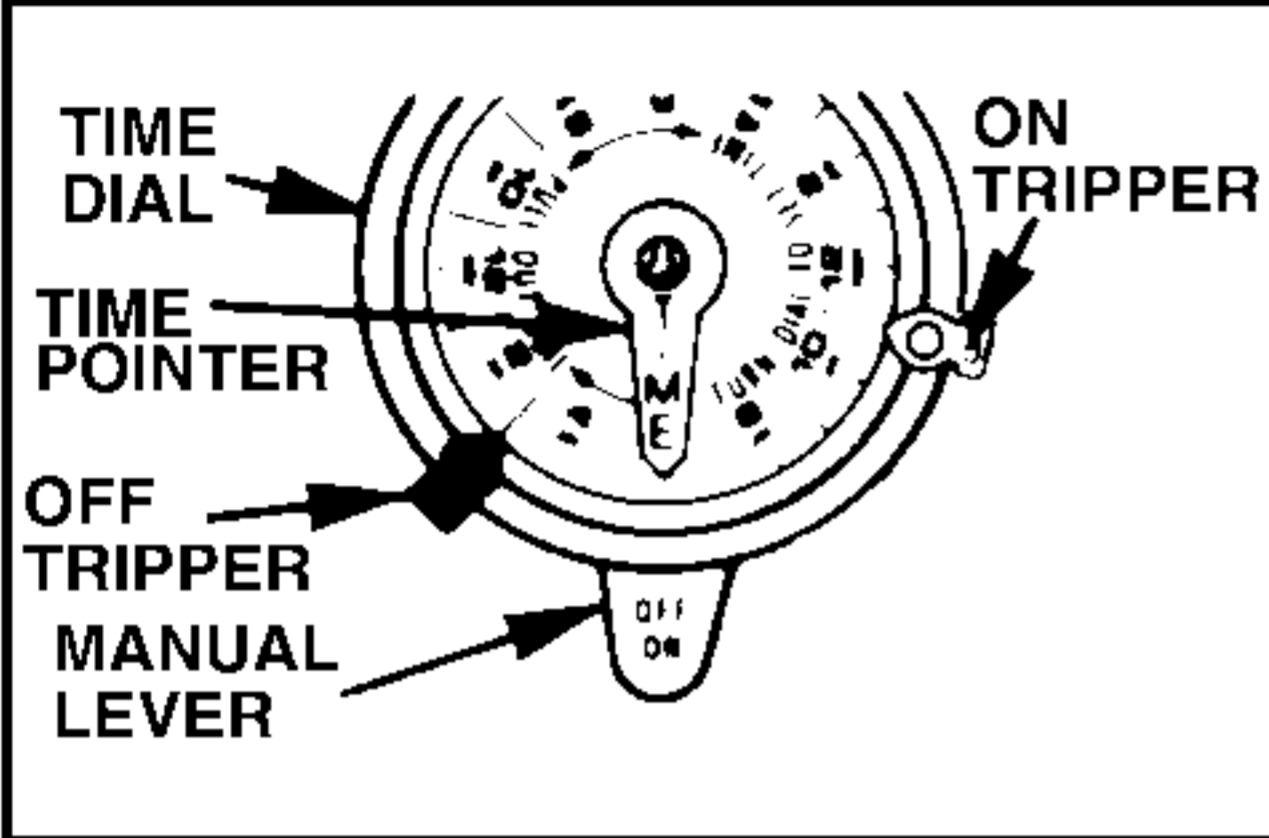


DOUBLE POLE SINGLE THROW (DPST)

40 AMP. RESISTIVE, INDUCTIVE, TUNGSTEN OR
1000 VA PILOT DUTY EACH POLE 120/208.240 VOLT AC;
2 HP (24 FLA)-120V AC; 5 HP (28 FLA)-240V AC.

CLOCK MOTOR: 110-125 VOLTS - 60 HZ.

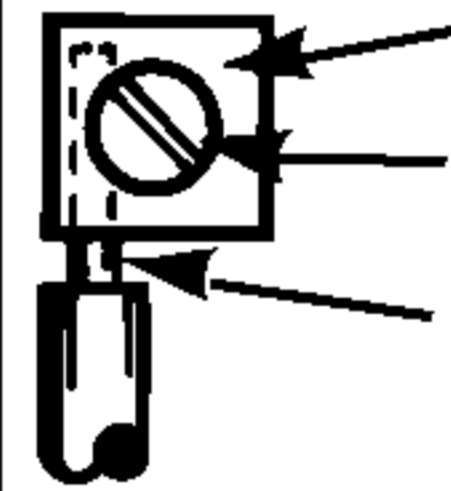
CLOCK MOTOR VOLTAGE AND CYCLE MUST BE AS SPECIFIED. TO ORDER REPLACEMENT, INDICATE PART NO. (WG--) ON MOTOR COVER.



WIRING INSTRUCTIONS: To wire switch follow diagram above. Use solid or stranded **COPPER only** wire with insulation to suit installation. See gauge selection table for normal service applications. To make power connections remove 1/2 inch of insulation from wire ends. Insert bare ends of wire under the pressure plate of terminals. Use 3/16 or larger screwdriver to tighten terminal screws firmly. (25 lb-in minimum).

REPLACE INSULATOR BEFORE TURNING ON ELECTRICITY.

MINIMUM COPPER WIRE SIZE (AWG)	MAX. LOAD (AMP)	MIN. INSULATION TEMP (°C)	75°C INSULATION MAX. MOTOR LOAD (HP)			
			SINGLE PHASE		3 PHASE	
			120 V.	240 V.	208 V.	240 V.
14	15	60	1/2	2		
12	20	60	1	2 1/2	N/A	N/A
10	30	60	2	3		
8	40	75	-	5		



PRESSURE PLATE
TERMINAL SCREW
MAKE SURE WIRE INSULATION CLEARS PRESSURE PLATE

PROGRAMMING INSTRUCTIONS

- TO SET "ON" AND "OFF" TIMES:** Hold trippers against edge of **CLOCK-DIAL**, pointing to time (AM or PM) when **ON** and **OFF** operations are desired, tighten tripper screws firmly. For additional tripper pairs on **CLOCK-DIAL** order 156T1978A.
- TO SET TIME-OF-DAY:** Pull **CLOCK-DIAL** outward. Turn in either direction and align the exact time-of-day on the **CLOCK-DIAL** (the time now, when switch is being put into operation) to the pointer. **DO NOT MOVE POINTER.**

OPERATING INSTRUCTIONS

- TO OPERATE SWITCH MANUALLY:** Move **MANUAL LEVER** below **CLOCK-DIAL** left or right as indicated by arrows. This will not effect next operation.
- IN CASE OF POWER FAILURE,** reset **CLOCK-DIAL** to proper time-of-day. See programming instructions.

INTERMATIC INCORPORATED

SPRING GROVE, ILLINOIS 60081-9698

158TS10946