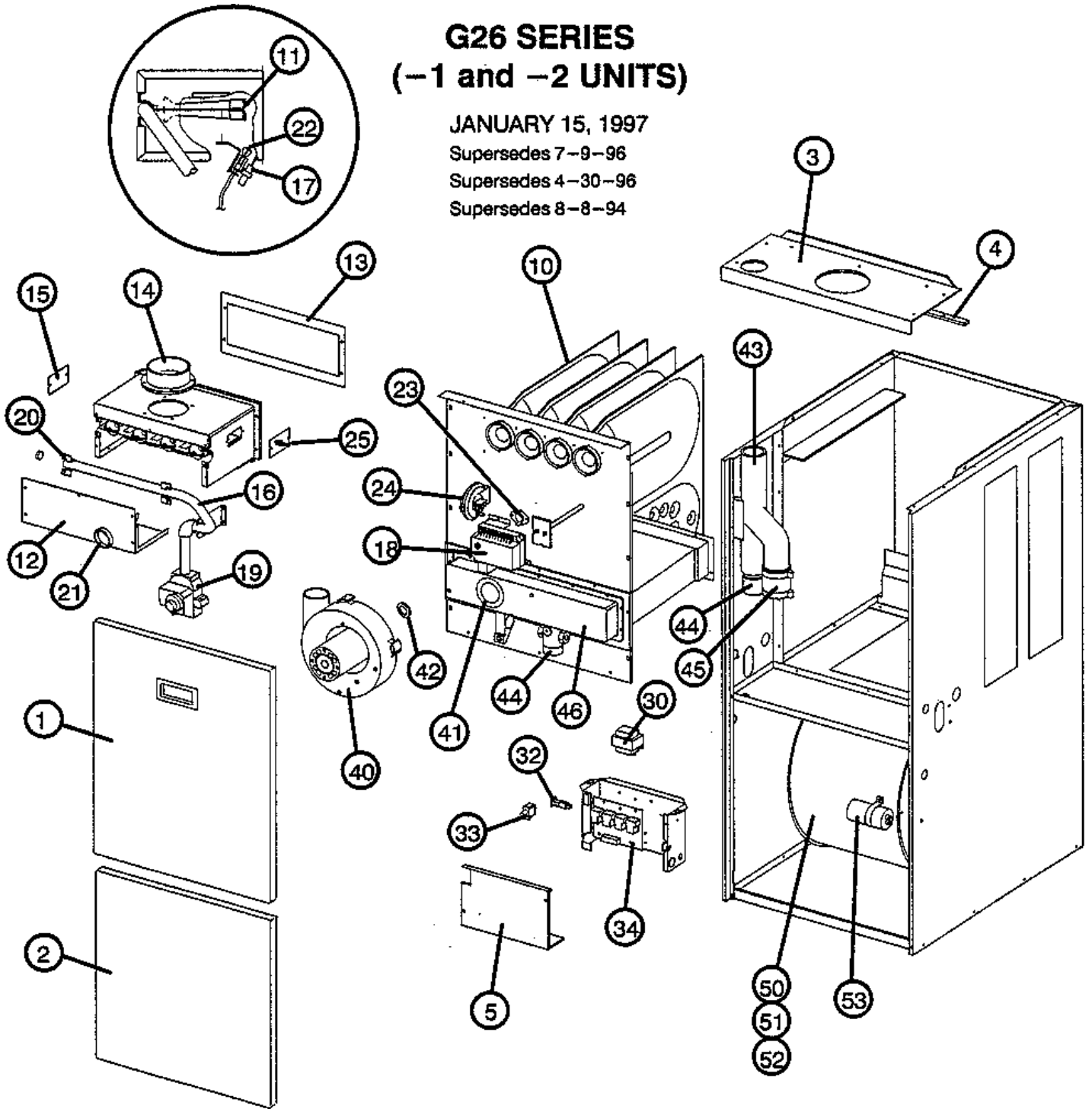
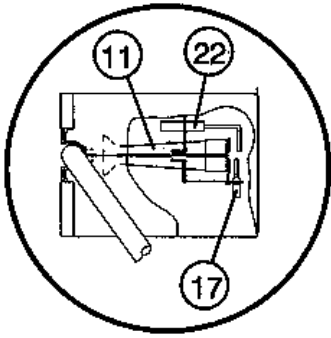


# G26 SERIES (-1 and -2 UNITS)

JANUARY 15, 1997  
Supersedes 7-9-96  
Supersedes 4-30-96  
Supersedes 8-8-94



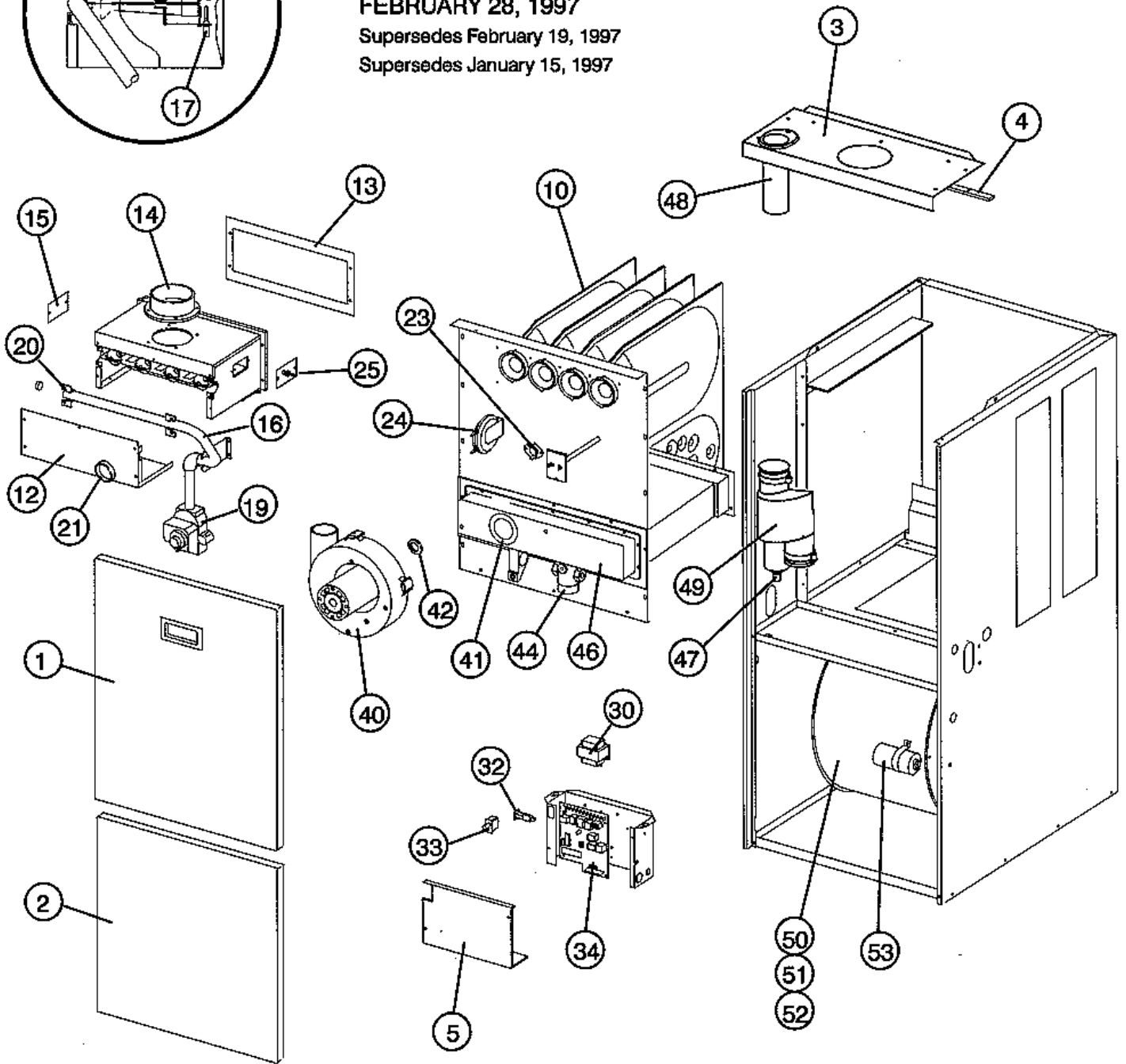


### G26 SERIES (-3 UNITS)

FEBRUARY 28, 1997

Supersedes February 19, 1997

Supersedes January 15, 1997



G26Q4/5-100				DASH/Revision # with Qty					
Key	Part Name	Part Number	Description	1	2	3	4	5	6
Category:CABINET PARTS									
1	PANEL	LB-64217	HEAT ACCESS	1	1	1	1		
	HANDLE-DOOR	77C1501	DOOR-HEAT ACCESS	1	1	1	1	1	1
2	PANEL	LB-64363F	BLOWER ACCESS	1	1				
2	PANEL	LB-64363J	BLOWER ACCESS			1	1		
	BUSHING-SNAP	64K0001	SIGHT			1	1	1	1
	PANEL	LB-62977X	BLOWER DECK (Q4/5)	1	1	1	1	1	1
	PANEL-SET	LB-95969B	HEAT & BLR ACCESS SET INCL HANDLE					1	1
3	PANEL	LB-64231	CAB TOP	1	1				
3	PANEL	LB-90908	CAB TOP			1	1	1	1
4	GASKET	LB-65774	CAB TOP	1	1	1	1	1	1
	CLIP	18J2501	FILTER	2	2	2	2	2	2
	CLIP	LB-65612	REAR-FILTER	1	1	1	1	1	1
	DOOR	LB-63005	FILTER	1	1	1	1	1	1
	FASTENER	42J7801	FILTER DOOR	2	2	2	2	2	2
	FILTER	P-8-7831	"20" X 25" X 1",WASHABLE"	1	1	1	1	1	1
5	COVER	LB-64237	CONTROL BOX	1	1				
5	COVER	LB-90698	CONTROL BOX			1	1	1	1
Category:HEATING PARTS									
10	HEAT EXCHANGER	LB-65730C	HEAT EXCHANGER	1	1	1	1	1	1
11	BURNER-MAIN	LB-64500C	CLUSTER ASSY	1	1	1	1	1	1
12	COVER	LB-62929C	BURNER BOX	1	1	1	1	1	1
13	GASKET	LB-65673C	BURNER BOX	1	1	1	1	1	1
14	FITTING	18J1801	INTAKE-BURNER BOX	1	1	1	1	1	1
15	PLATE	LB-63649	PATCH-BURNER BOX R	1	1	1	1	1	1

G26Q4/5-100				DASH/Revision # with Qty					
Key	Part Name	Part Number	Description	1	2	3	4	5	6
15	PLATE	LB-64389	PATCH-BURNER BOX L	1	1	1	1	1	1
16	MANIFOLD-GAS	LB-65669B	LESS ORIFICES	1	1	1	1	1	1
	ORIFICE-BURNER	LB-65700	LP(DRILL SIZE .0625)	4	4	4	4	4	4
	ORIFICE-BURNER	LB-74093	NAT(DRILL SIZE .0917)	4	4	4	4	4	4
17	BURNER-PILOT	49K8501	"W/ELECTRODE,L/SENSOR (INCL IGN WIRE)"	1	1				
17	IGNITOR	41K5601	SURELIGHT			1	1	1	1
	BRACKET	LB-64299	PILOT	1	1				
	BRACKET	LB-90702	IGNITOR			1	1	1	1
	GROMMET	21J9301	PILOT	1	1				
	GROMMET	63K9501	GROMMET			1	1	1	1
	ORIFICE-PILOT	31J9101	LP	1	1				
	ORIFICE-PILOT	49K3601	"NAT,.020""DRILL"	1	1				
18	CONTROL-IGN	LB-90087A	24V	1	1				
19	VALVE-GAS	41K3801	"NAT,L/IGN CONTROL-1/2""	1					
19	VALVE-GAS	58K7401	"NAT,L/IGN CONTROL-1/2""(WHITE RODGERS)"		1				
19	VALVE-GAS	63K8801	"NAT,L/IGN CONTROL-1/2""(WHITE RODGERS)"			1		1	
19	VALVE-GAS	99K6501	"NAT,L/IGN CONTROL-1/2""(HONEY WELL)"				1		1
			VALVE-GASLP(FOOTNOTE 2)		1				
20	SEAL	42J0801	BURNER BOX	2	2	2	2	2	2
21	GLASS-SIGHT	LB-65703	BURNER BOX	1	1	1	1	1	1
	GROMMET	18J2601	SIGHT GLASS	1	1	1	1	1	1
22	SENSOR-FLAME	15K0001	SENSOR			1	1	1	1
22	SENSOR-FLAME	27J0201	(INCL SENSOR WIRE)	1	1				
	LEAD	22L5601	FLAME SENSOR			1	1	1	1
23	CONTROL-LIMIT	18J3701	"OUT 205F,IN 175F,SPST"	1	1	1	1	1	1

G26Q4/5-100				DASH/Revision # with Qty					
Key	Part Name	Part Number	Description	1	2	3	4	5	6
24	SWITCH-PRESS	18J2901	(EARLY PROD SERIAL#PRIOR TO 5896J00000)	1	1				
24	SWITCH-PRESS	63K9301	".2WC,SPST,N.O."	1	1	1	1	1	1
	HARNESS-WIRING	LB-73867	MAKE UP BOX	1	1	1	1	1	1
	KIT-TUBING	LB-96015A	PRESS SWITCH	1	1	1	1	1	1
	PLUG	69J8201	"PLASTIC 1/2""	1	1	1	1	1	1
	TEE	31J7701	"PLASTIC 1/4""	1	1	1	1	1	1
25	SWITCH	26H7601	MANUAL RESET	1	1	1	1	1	1
	BARBED FITTING & NUT	40L6401PR	BARBED FITTING & NUT	1	1	1	1	1	1
Category:INDUCED DRAFT ASSEMBLY									
40	BLOWER-COMB AIR	LB-65734G	COMPLETE ASSY ONLY	1	1	1	1	1	1
	HARNESS-WIRING	LB-91258	HARNESS-WIRE			1	1	1	1
41	GASKET	52J9801	COMB AIR ASSY	1	1	1	1	1	1
42	ORIFICE	18J1601	INDUCED DRAFT-BLUE	1	1	1	1	1	1
43	TRAP	18J2001	FLUE	1	1				
44	BOOT	21J9401	FLUE TRAP	1	1	1	1	1	1
	CLAMP-WIRE	48J5801	FLUE TRAP	1	1	1	1	1	1
45	CONNECTOR	21J9501	HUB	2	2				
	FITTING	32F2301	"ELBOW 1/8""	1	1	1	1	1	1
46	COLLECTOR BOX / TRAP	LB-66579B	COLLECTOR BOX ASSY	1	1	1	1	1	1
	GASKET	49K6601	COLLECTOR BOX	1	1	1	1	1	1
	PLUG	69J8201	COLLECTOR BOX	1	1	1	1	1	1
47	COUPLING	73K8401	"3/8""			1	1	1	1
48	COLLAR	73K4101	FLUE			1	1	1	1
	CAPACITOR	54J0001	"IND DRAFT-3MFD,400VAC"	1	1	1	1	1	1
	CLAMP	25J3301	HOSE	4	4	2	2	2	2

G26Q4/5-100				DASH/Revision # with Qty					
Key	Part Name	Part Number	Description	1	2	3	4	5	6
49	TRANSITION	67K4501	FLUE			1	1	1	1
Category:CONTROL PANEL PARTS									
30	TRANSFORMER	42J3201	"120V PRI,24V SEC,40VA,L/FUSE"	1	1	1	1	1	1
32	BREAKER-CIRCUIT	37J5601	250V	1	1	1	1	1	1
33	SWITCH	25J1301	SWITCH, INTERLOCK	1	1	1	1	1	1
34	BOARD-CIRCUIT	63K8901	INTEGRATED CONTROL			1	1	1	1
34	BOARD-CIRCUIT	LB-90089A	CONTROL-BCC	1	1				
	BUSHING-SNAP	P-8-8278	BUSHING-BLK SNAP	2	2	2	2	2	2
	HARNESS-WIRING	LB- 90794	UPPER			1	1	1	1
	HARNESS-WIRING	LB-100429A	KIT REPLACES UPPER & LOWER			1	1	1	1
	HARNESS-WIRING	LB-73864	CONTROL-UPPER(J20)	1	1				
	HARNESS-WIRING	LB-73865	CONTROL-LOWER(P20 TO J20)	1	1				
	HARNESS-WIRING	LB-73866	(P69)	1	1	1	1	1	1
	HARNESS-WIRING	LB-90795	LOWER			1	1	1	1
Category:BLOWER PARTS FOR Q4/5 BLOWER									
50	HOUSING-BLOWER	LB-65790C	HOUSING-BLOWER	1	1	1	1	1	1
	PLATE-CUTOFF	LB-65692	CUTOFF PLATE	1	1	1	1	1	1
51	MOTOR-BLOWER	28F0101	"3/4HP,1075RPM,115/60/1L/MOUNT S"					1	1
51	MOTOR-BLOWER	45H3301	"3/4HP,1075RPM,115/60/1L/MOUNT S"	1	1	1	1		
	ARM	LB-101207	MOTOR MOUNT (FOOTNOTE 5)					3	3
	BAND-MOTOR	62A5701	MOTOR MOUNT (FOOTNOTE 5)					1	1
	MOUNT-MOTOR	LB-97863A	(FOOTNOTE 5)	3	3	3	3	3	3
52	WHEEL-BLOWER	LB-29333BBP	"1/2""BORE,11-1/2"" X 9"""	1	1	1	1	1	1
53	CAPACITOR	39H5801	"40MFD,370VAC"	1	1	1	1	1	1
	HARNESS-WIRING	LB-73869	MOTOR	1	1				

G26Q4/5-100				DASH/Revision # with Qty					
Key	Part Name	Part Number	Description	1	2	3	4	5	6
	HARNESS-WIRING	LB-89040	MOTOR			1	1		

NOTE

Note1:ORDER 41K3801 NATURAL GAS VALVE AND 48G2201 LP CONVERSION KIT.Note2:ORDER 58K7401 NATURAL GAS VA