



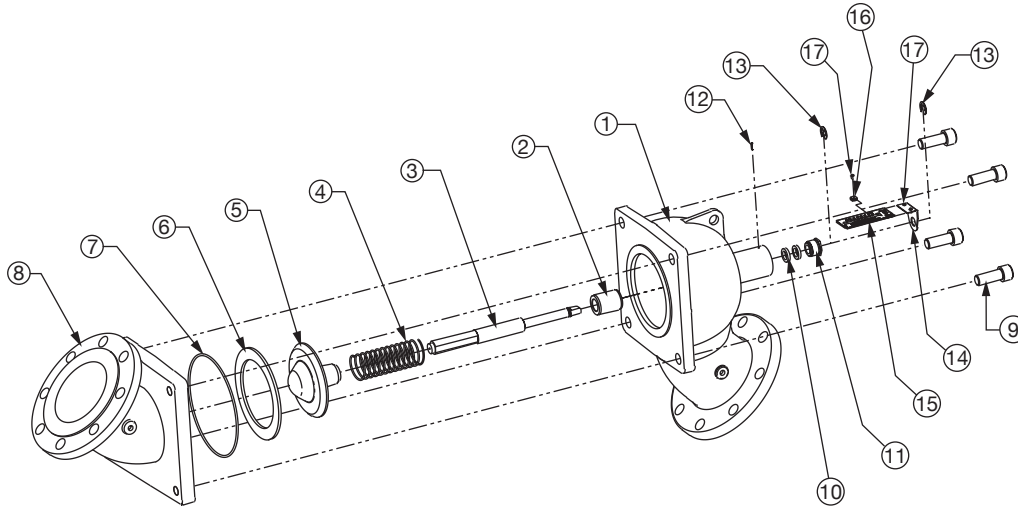
Replacement Parts List

304-420

Plus Two Multi Purpose Valve

SUPERSEDES: August 31, 2006

EFFECTIVE: July 10, 2008



MODEL NUMBER	SIZE	PACKING KIT	SEAL KIT	DISC KIT	SPRING	SPINDLE KIT	BRACKET KIT	MEMORY KIT	PRESSURE TAP KIT
MPV 015-4	1.5"	759-423RP	759-488RP	759-484RP	759-487RP	759-485RP	759-571RP	759-561RP	759-252RP
MPV 020-4	2"						759-571RP	759-591RP	759-252RP
MPV 025-4	2.5"	759-423RP	759-515RP	759-512RP		759-513RP	759-571RP	759-592RP	759-252RP
MPV 030-4	3"	759-423RP	759-564RP	759-447RP	759-425RP	759-419RP	759-571RP	759-593RP	759-252RP
MPV 040-4	4"	759-423RP	759-454RP	759-451RP	759-453RP	759-450RP	759-571RP	759-594RP	759-252RP
MPV 050-4	5"	759-468RP	759-539RP	759-522RP	759-491RP	759-527RP	759-572RP	759-595RP	759-252RP
MPV 060-4	6"	759-468RP	759-473RP	759-465RP	759-472RP	759-466RP	759-572RP	759-596RP	759-252RP
MPV 080-4	8"	759-495RP	759-540RP	759-523RP	759-492RP	759-528RP	759-573RP	759-597RP	759-252RP
MPV 100-4	10"	759-495RP	759-541RP	759-524RP	759-493RP	759-529RP	759-573RP	759-598RP	759-252RP
MPV 120-4	12"	759-495RP	759-542RP	759-525RP	759-494RP	759-530RP	759-573RP	759-599RP	759-252RP

Kits apply to 125 lb., 250 lb. and grooved valves. Kits require these items:

	PACKING KIT	SEAL KIT	DISC KIT	SPRING	SPINDLE KIT	BRACKET KIT	MEMORY KIT	PRESSURE TAP KIT
KIT CONTENTS	10 - packing	7 - o ring	5 - seat disc	4 - spring	3 - spindle	12 - spring pin	15 - calibration plate	valve
	11 - packing nut	6 - seat seal				13 - retaining ring	16 - memory indicator	
						14 - bracket	17 - screw	
						17 - screw		

Do it Once. Do it Right.®

TACO, INC., 1160 Cranston Street, Cranston, RI 02920 Telephone: (401) 942-8000 FAX: (401) 942-2360.
 TACO (Canada), Ltd., 6180 Ordan Drive, Mississauga, Ontario L5T 2B3. Telephone: 905/564-9422. FAX: 905/564-9436.

Visit our web site at: <http://www.taco-hvac.com>

Printed in USA
 Copyright 2008
 TACO, Inc.