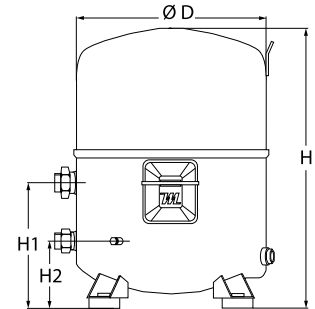


General Characteristics

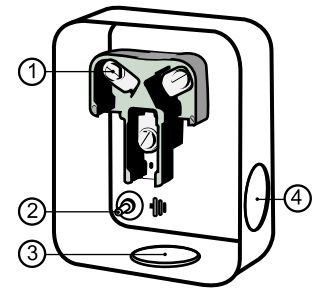
Model number (on compressor nameplate)		MT100HS4DVE
Code number for Singlepack*		MT100-4VI
Code number for Industrial pack**		MT100-4VM
Drawing number		8504010f
Suction and discharge connections		Rotolock
Suction connection		1-3/4 " Rotolock
Discharge connection		1-1/4 " Rotolock
Suction connection with supplied sleeve		1-1/8 " ODF
Discharge connection with supplied sleeve		3/4 " ODF
Oil sight glass		Threaded
Oil equalization connection		3/8" flare SAE
Oil drain connection		None
LP gauge port		Schrader
IPR valve		435 psi / 115 psi
Cylinders		4
Swept volume		10.45 in3/rev
Displacement @ Nominal speed		1052 cfh @ 2900 rpm - 1270 cfh @ 3500 rpm
Net weight		132 lbs
Oil charge		132 oz, Mineral - 160P
Maximum system test pressure Low Side / High side		363 psi / 435 psi
Maximum differential test pressure		435 psi
Maximum number of starts per hour		12
Refrigerant charge limit		22 lbs
Approved refrigerants		R22, R417A-160PZ

Dimensions



D=13.9 inch, H=20.4 inch,
H1=9.2 inch, H2=4.9 inch

Terminal box



IP54 (with cable gland)

- 1: Screw connectors 10-32 UNF x 9.5
- 2: Earth M4-12
- 3: Knock-out Ø 29 mm (1.14")
- 4: Knock-out Ø 25.5 mm (1.00")

Electrical Characteristics

Nominal voltage	380-400V/3/50Hz - 460V/3/60Hz
Voltage range	340-440 V @ 50Hz - 414-506 V @ 60Hz
Winding resistance (between phases) +/- 7% at 77°F	1.57 Ω
Maximum Continuous Current (MCC)	22 A
Locked Rotor Amps (LRA)	90 A
Motor protection	Internal overload protector

Recommended Installation torques

Oil sight glass	37 ft.lbs
Power connections / Earth connection	2 ft.lbs / 1 ft.lbs
Mounting bolts	37 ft.lbs

Parts shipped with compressor

Mounting kit with grommets, bolts, nuts, sleeves and washers
Suction & Discharge solder sleeves, rotolock nuts and gaskets (shipped with rotolock version only)
Initial oil charge
Installation instructions

Approvals : CE certified, UL certified (file SA6873), -

*Singlepack: Compressor in cardboard box

**Industrial pack: 6 Unboxed compressors on pallet (order per multiples of 6)

Rotolock accessories, suction side
Code no.

Solder sleeve, P02 (1-3/4" Rotolock, 1-1/8" ODF)	8153004
Angle adapter, C02 (1-3/4" Rotolock, 1-1/8" ODF)	8168005
Rotolock valve, V02 (1-3/4" Rotolock, 1-1/8" ODF)	8168028
Gasket, 1-3/4"	8156132

Rotolock accessories, discharge side
Code no.

Solder sleeve, P04 (1-1/4" Rotolock, 3/4" ODF)	8153008
Angle adapter, C04 (1-1/4" Rotolock, 3/4" ODF)	8168006
Rotolock valve, V04 (1-1/4" Rotolock, 3/4" ODF)	8168029
Gasket, 1-1/4"	8156131

Rotolock accessories, sets
Code no.

Angle adapter set, C02 (1-3/4"~1-1/8"), C04 (1-1/4"~3/4")	7703014
Valve set, V02 (1-3/4"~1-1/8"), V04 (1-1/4"~3/4")	7703009
Gasket set, 1", 1-1/4", 1-3/4", OSG gaskets black & white	8156009

Oil / lubricants
Code no.

Mineral oil, 160P, 2 liter can	7754001
Mineral oil, 160P, 5 liter can	7754002

Crankcase heaters
Code no.

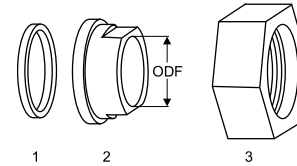
PTC heater 27W	120Z0459
Belt type crankcase heater, 75 W, 230 V, CE mark, UL	7773108
Belt type crankcase heater, 75 W, 400 V, CE mark, UL	7773118
Belt type crankcase heater, 75 W, 460 V, CE mark, UL	120Z0464

Miscellaneous accessories
Code no.

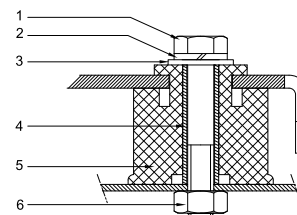
Electronic soft start kit, MCI 25 C	7705007
Soft start kit with statoric resistors, prewired box, SCRO3	7705001
Acoustic hood for 4 cylinder compressor	7755003
Oil equalisation nut	8153127

Spare parts
Code no.

Mounting kit for 4 cylinder compressor & MS, including 4 grommets, 4 bolts	8156007
Oil sight glass with gaskets (black & white)	8156019
Gasket for oil sight glass (black chloroprene)	8156145
Service kit for terminal box 96 x 115 mm, including 1 cover, 1 clamp, 1 T block connector 52 x 57 mm, 1 cable gland	8156135
T block connector 2.1" x 2.3"	8173230

Gaskets, sleeves and nuts


- 1: Gasket
- 2: Solder sleeve
- 3: Rotolock nut

Mounting kit


- 1: Bolt (4x)
- 2: Lock washer (4x)
- 3: Flat washer (4x)
- 4: Sleeve (4x)
- 5: Grommet (4x)
- 6: Nut (4x)

Performance data at 60 Hz, ARI rating conditions

R22

Cond. temp. in °F (tc)	Evaporating temperature in °F (to)							
	-10	0	10	20	30	40	45	50

Cooling capacity in Btu/h

90	31 004	42 531	56 695	73 875	94 452	118 804	132 515	147 312	163 242
100	26 444	37 447	50 936	67 292	86 893	110 118	123 209	137 348	152 583
110	22 458	32 837	45 553	60 983	79 509	101 508	113 930	127 361	141 851
120	-	28 814	40 656	55 062	72 413	93 087	104 789	117 464	131 159
130	-	-	36 357	49 640	65 716	84 965	95 898	107 766	120 617
140	-	-	-	44 828	59 530	77 255	87 369	98 381	110 338
150	-	-	-	-	53 966	70 067	79 312	89 418	100 431

Power input in W

90	4 928	5 582	6 160	6 624	6 934	7 052	7 028	6 941	6 787
100	5 024	5 733	6 381	6 930	7 341	7 577	7 616	7 597	7 515
110	5 097	5 871	6 600	7 245	7 768	8 131	8 240	8 294	8 289
120	-	5 995	6 816	7 568	8 213	8 714	8 898	9 031	9 108
130	-	-	7 027	7 897	8 675	9 325	9 588	9 806	9 971
140	-	-	-	8 231	9 153	9 962	10 311	10 617	10 876
150	-	-	-	-	9 646	10 624	11 064	11 465	11 823

Current consumption in A

90	10.09	10.60	11.10	11.52	11.82	11.94	11.91	11.82	11.66
100	10.18	10.73	11.29	11.80	12.20	12.45	12.49	12.48	12.39
110	10.23	10.85	11.49	12.10	12.63	13.01	13.13	13.20	13.20
120	-	10.96	11.70	12.43	13.09	13.63	13.84	13.99	14.09
130	-	-	11.91	12.77	13.59	14.30	14.60	14.86	15.06
140	-	-	-	13.14	14.12	15.02	15.43	15.79	16.10
150	-	-	-	-	14.69	15.80	16.31	16.79	17.22

Mass flow in lbs/h

90	413	560	736	945	1 192	1 480	1 641	1 814	2 000
100	367	514	689	897	1 142	1 429	1 589	1 762	1 946
110	326	470	643	848	1 090	1 373	1 531	1 702	1 885
120	-	432	599	800	1 037	1 315	1 470	1 638	1 818
130	-	-	562	756	986	1 257	1 409	1 572	1 749
140	-	-	-	719	941	1 202	1 350	1 509	1 680
150	-	-	-	-	903	1 154	1 295	1 449	1 615

Energy Efficiency Ratio (E.E.R.)

90	6.29	7.62	9.20	11.15	13.62	16.85	18.86	21.22	24.05
100	5.26	6.53	7.98	9.71	11.84	14.53	16.18	18.08	20.30
110	4.41	5.59	6.90	8.42	10.23	12.48	13.83	15.36	17.11
120	-	4.81	5.97	7.28	8.82	10.68	11.78	13.01	14.40
130	-	-	5.17	6.29	7.57	9.11	10.00	10.99	12.10
140	-	-	-	5.45	6.50	7.76	8.47	9.27	10.14
150	-	-	-	-	5.59	6.60	7.17	7.80	8.49

Nominal performance at to = 45 °F, tc = 130 °F

Cooling capacity	95 898	Btu/h	Current consumption	14.60	A
Power input	9 588	W	Mass flow	1 409	lbs/h
E.E.R.	10.00				

Pressure switch settings

Maximum HP switch setting	402	psi(g)
Minimum LP switch setting	3	psi(g)
LP pump down setting	13	psi(g)

T 0 : Evaporating temperature at dew point

T C : Condensing temperature at dew point

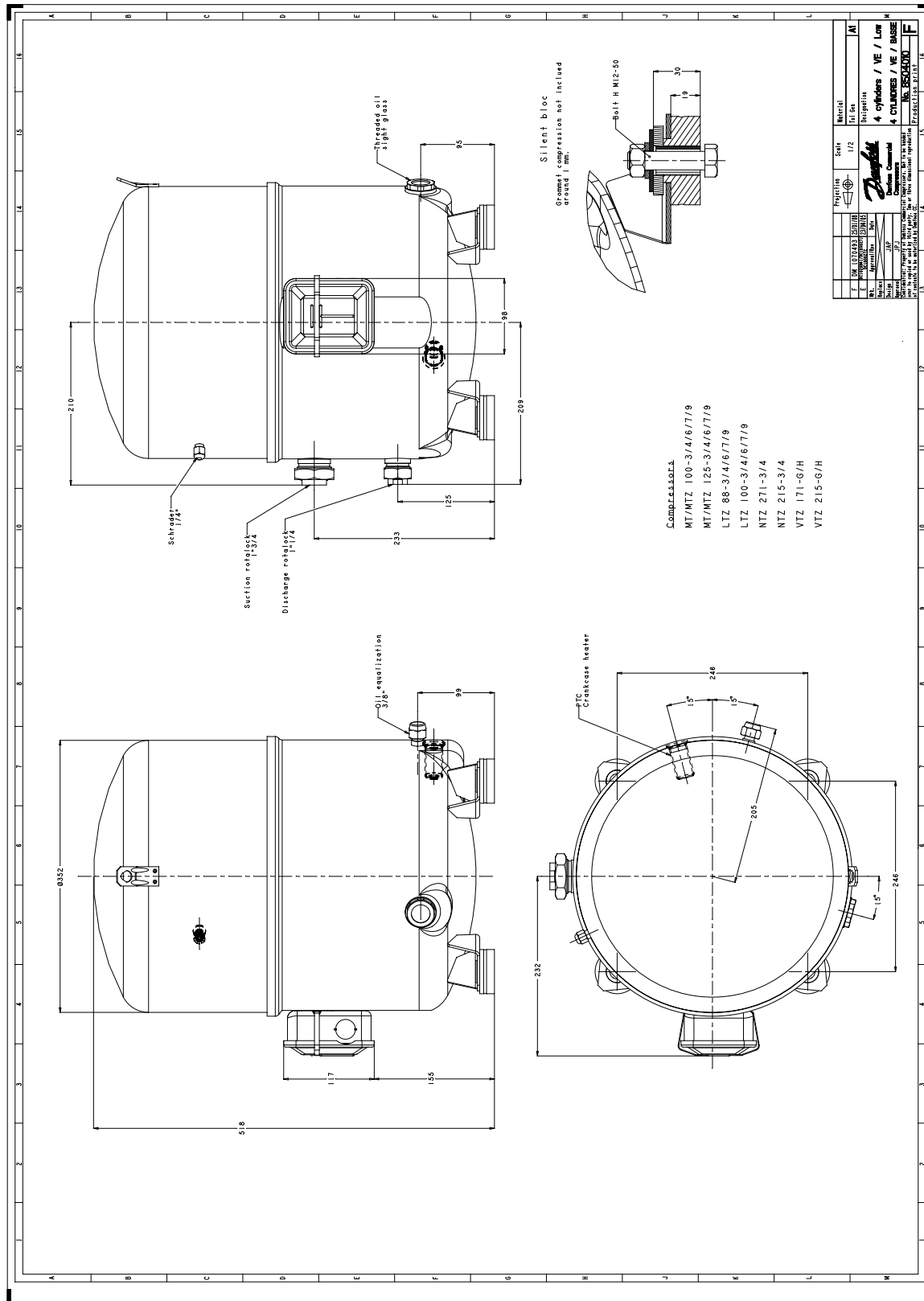
Rating conditions : Superheat = 20 °F , Subcooling = 15 °F

All performance data +/- 5%

Sound power data

Sound power level	0	dB(A)
With acoustic hood	0	dB(A)

Danfoss can accept no responsibility for possible errors in catalogues, brochures and other printed material. Danfoss reserves the right to alter its products without notice. This also applies to products already on order provided that such alternations can be made without subsequential changes being necessary in specifications already agreed. All trademarks in this material are property of the respective companies. Danfoss, the Danfoss logotype and Maneurop are trademarks of Danfoss A/S. All rights reserved.



Danfoss can accept no responsibility for possible errors in catalogues, brochures and other printed material. Danfoss reserves the right to alter its products without notice. This also applies to products already on order provided that such alternations can be made without consequential changes being necessary in specifications already agreed. All trademarks in this material are property of the respective companies. Danfoss, the Danfoss logotype and Maneurop are trademarks of Danfoss A/S. All rights reserved.