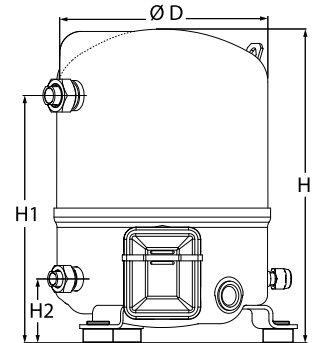


General Characteristics

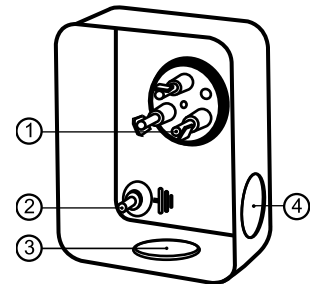
Model number (on compressor nameplate)		MT22JC3MVE
Code number for Singlepack*		MT22-3VI
Code number for Industrial pack**		MT22-3VM
Drawing number		8501024e
Suction and discharge connections		Rotolock
Suction connection		1 " Rotolock
Discharge connection		1 " Rotolock
Suction connection with supplied sleeve		1/2 " ODF
Discharge connection with supplied sleeve		3/8 " ODF
Oil sight glass		Threaded
Oil equalization connection		3/8" flare SAE
Oil drain connection		None
LP gauge port		Schrader
IPR valve		435 psi / 115 psi
Cylinders		1
Swept volume		2.33 in3/rev
Displacement @ Nominal speed		283 cfh @ 3500 rpm
Net weight		46 lbs
Oil charge		32 oz, Mineral - 160P
Maximum system test pressure Low Side / High side		363 psi / 435 psi
Maximum differential test pressure		435 psi
Maximum number of starts per hour		12
Refrigerant charge limit		6 lbs
Approved refrigerants		R22, R417A-160PZ

Dimensions



D=8.8 inch, H=13.1 inch,
H1=10.4 inch, H2=2.7 inch

Terminal box



IP55 (with cable gland)
1: Spade connectors 1/4"
2: Earth M4-12
3: Knock-out Ø 21 mm (0.83")
4: Hole Ø 21 mm (0.83")

Electrical Characteristics

Nominal voltage	200-230V/3/60Hz
Voltage range	180-253 V
Winding resistance (between phases) +/- 7% at 77°F	2.49 Ω
Maximum Continuous Current (MCC)	11 A
Locked Rotor Amps (LRA)	38 A
Motor protection	Internal overload protector

Recommended Installation torques

Oil sight glass	37 ft.lbs
Power connections / Earth connection	ft.lbs / 1 ft.lbs
Mounting bolts	11 ft.lbs

Parts shipped with compressor

Mounting kit with grommets, bolts, nuts, sleeves and washers
Suction & Discharge solder sleeves, rotolock nuts and gaskets (shipped with rotolock version only)
Initial oil charge
Installation instructions

Approvals : CE certified, UL certified (file SA6873), -

*Singlepack: Compressor in cardboard box

**Industrial pack: 12 Unboxed compressors on pallet (order per multiples of 12)

Rotolock accessories, suction side
Code no.

Solder sleeve, P06 (1" Rotolock, 1/2" ODF)	8153007
Angle adapter, C06 (1" Rotolock, 1/2" ODF)	8168007
Rotolock valve, V06 (1" Rotolock, 1/2" ODF)	8168031
Gasket, 1"	8156130

Rotolock accessories, discharge side
Code no.

Solder sleeve, P01 (1" Rotolock, 3/8" ODF)	8153010
Angle adapter, C01 (1" Rotolock, 3/8" ODF)	8168004
Rotolock valve, V01 (1" Rotolock, 3/8" ODF)	8168027
Gasket, 1"	8156130

Rotolock accessories, sets
Code no.

Angle adapter set, C06 (1"~1/2"), C01 (1"~3/8")	7703011
Valve set, V06 (1"~1/2"), V01 (1"~3/8")	7703004
Gasket set, 1", 1-1/4", 1-3/4", OSG gaskets black & white	8156009

Oil / lubricants
Code no.

Mineral oil, 160P, 2 liter can	7754001
Mineral oil, 160P, 5 liter can	7754002

Crankcase heaters
Code no.

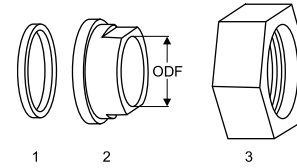
PTC heater 27W	120Z0459
Belt type crankcase heater, 54 W, 230 V, CE mark, UL	7773106

Miscellaneous accessories
Code no.

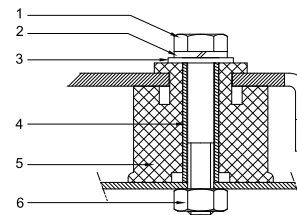
Acoustic hood for 1 cylinder compressor	7755001
Oil equalisation nut	8153127

Spare parts
Code no.

Mounting kit for 1 and 2 cylinder compressor, including 3 grommets, 3 bolts	8156001
Oil sight glass with gaskets (black & white)	8156019
Gasket for oil sight glass (black chloroprene)	8156145
Service kit for terminal box 80 x 96 mm, including 1 cover, 1 clamp	8156134

Gaskets, sleeves and nuts


- 1: Gasket
- 2: Solder sleeve
- 3: Rotolock nut

Mounting kit


- 1: Bolt (3x)
- 2: Lock washer (3x)
- 3: Flat washer (3x)
- 4: Sleeve (3x)
- 5: Grommet (3x)
- 6: Nut (3x)

Performance data at 60 Hz, ARI rating conditions

R22

Cond. temp. in °F (tc)	Evaporating temperature in °F (to)							
	-10	0	10	20	30	40	45	50

Cooling capacity in Btu/h

90	5 810	8 746	12 277	16 479	21 428	27 199	30 417	33 868	37 563
100	4 890	7 710	11 093	15 113	19 848	25 371	28 452	31 759	35 301
110	3 989	6 672	9 884	13 701	18 199	23 452	26 386	29 538	32 916
120	-	5 637	8 657	12 248	16 487	21 449	24 225	27 210	30 414
130	-	-	7 417	10 761	14 720	19 369	21 975	24 783	27 800
140	-	-	-	9 246	12 903	17 216	19 642	22 261	25 082
150	-	-	-	-	11 041	14 997	17 233	19 652	22 266

Power input in W

90	930	1 134	1 322	1 483	1 607	1 684	1 702	1 704	1 689
100	968	1 185	1 388	1 568	1 715	1 818	1 850	1 867	1 869
110	991	1 222	1 443	1 645	1 816	1 948	1 995	2 029	2 048
120	-	1 243	1 485	1 710	1 909	2 072	2 136	2 187	2 224
130	-	-	1 511	1 762	1 991	2 187	2 269	2 339	2 395
140	-	-	-	1 799	2 060	2 291	2 392	2 482	2 559
150	-	-	-	-	2 113	2 382	2 503	2 614	2 714

Current consumption in A

90	4.49	4.77	5.07	5.36	5.60	5.76	5.80	5.80	5.76
100	4.55	4.85	5.18	5.52	5.82	6.04	6.12	6.16	6.17
110	4.58	4.91	5.28	5.67	6.03	6.33	6.45	6.53	6.59
120	-	4.95	5.37	5.81	6.23	6.61	6.78	6.91	7.02
130	-	-	5.42	5.93	6.43	6.90	7.10	7.29	7.45
140	-	-	-	6.02	6.60	7.16	7.42	7.66	7.88
150	-	-	-	-	6.75	7.41	7.73	8.02	8.30

Mass flow in lbs/h

90	78	116	160	211	271	340	377	418	461
100	68	106	150	201	261	329	367	407	450
110	58	95	139	190	249	317	354	394	437
120	-	84	128	178	236	303	340	379	421
130	-	-	115	164	221	287	323	362	403
140	-	-	-	148	204	268	304	341	382
150	-	-	-	-	185	247	281	318	358

Energy Efficiency Ratio (E.E.R.)

90	6.25	7.71	9.29	11.11	13.34	16.15	17.88	19.88	22.24
100	5.05	6.51	7.99	9.64	11.57	13.96	15.38	17.01	18.89
110	4.03	5.46	6.85	8.33	10.02	12.04	13.22	14.56	16.07
120	-	4.53	5.83	7.16	8.64	10.35	11.34	12.44	13.67
130	-	-	4.91	6.11	7.39	8.86	9.69	10.60	11.61
140	-	-	-	5.14	6.26	7.52	8.21	8.97	9.80
150	-	-	-	-	5.23	6.30	6.88	7.52	8.20

Nominal performance at to = 45 °F, tc = 130 °F

Cooling capacity	21 975	Btu/h	Current consumption	7.10	A
Power input	2 269	W	Mass flow	323	lbs/h
E.E.R.	9.69				

Pressure switch settings

Maximum HP switch setting	402	psi(g)
Minimum LP switch setting	3	psi(g)
LP pump down setting	13	psi(g)

T 0 : Evaporating temperature at dew point

T C : Condensing temperature at dew point

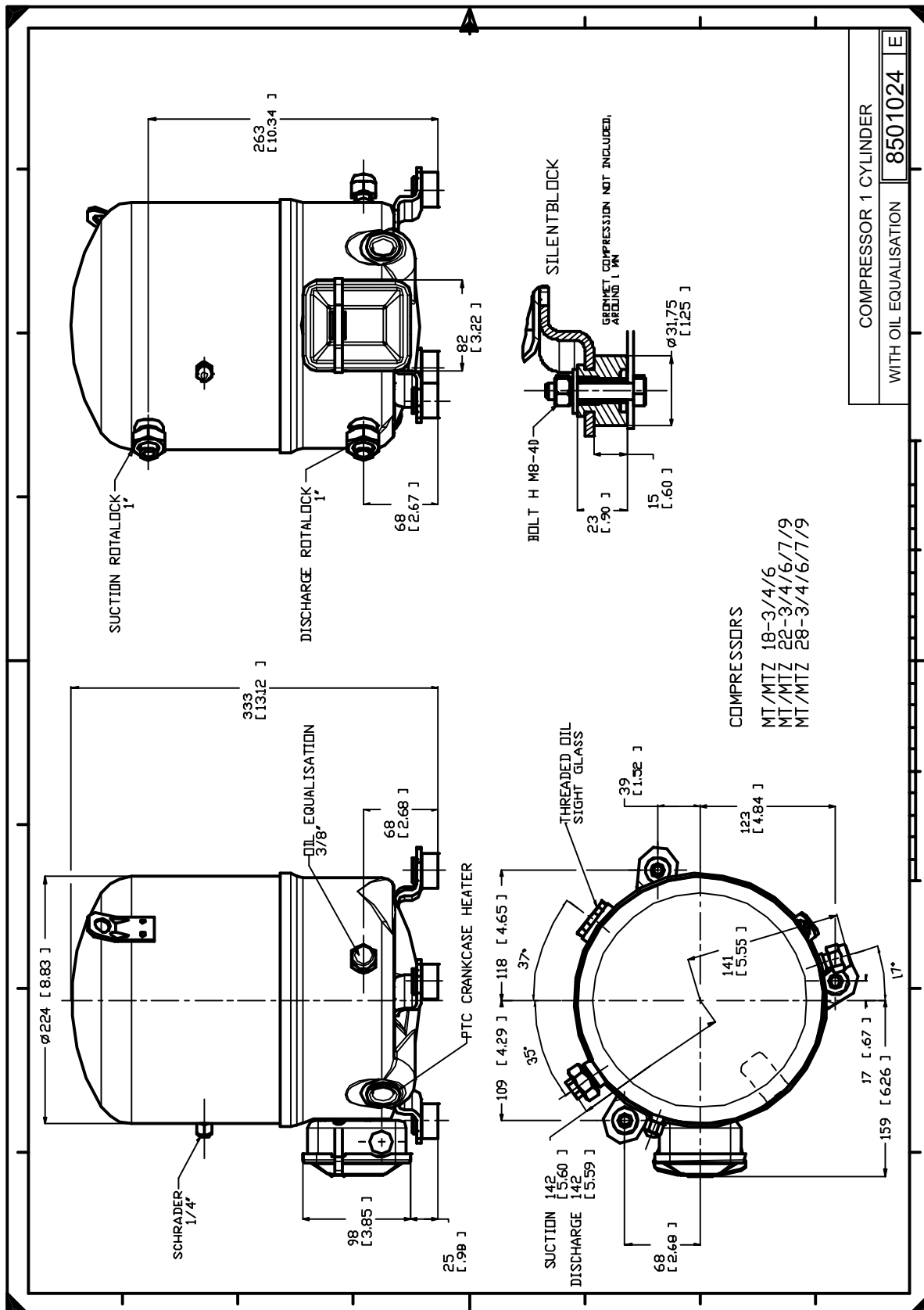
Rating conditions : Superheat = 20 °F , Subcooling = 15 °F

All performance data +/- 5%

Sound power data

Sound power level	0	dB(A)
With acoustic hood	0	dB(A)

Danfoss can accept no responsibility for possible errors in catalogues, brochures and other printed material. Danfoss reserves the right to alter its products without notice. This also applies to products already on order provided that such alternations can be made without subsequential changes being necessary in specifications already agreed. All trademarks in this material are property of the respective companies. Danfoss, the Danfoss logotype and Maneurop are trademarks of Danfoss A/S. All rights reserved.



Danfoss can accept no responsibility for possible errors in catalogues, brochures and other printed material. Danfoss reserves the right to alter its products without notice. This also applies to products already on order provided that such alternations can be made without subsequential changes being necessary in specifications already agreed. All trademarks in this material are property of the respective companies. Danfoss, the Danfoss logotype and Maneurop are trademarks of Danfoss A/S. All rights reserved.